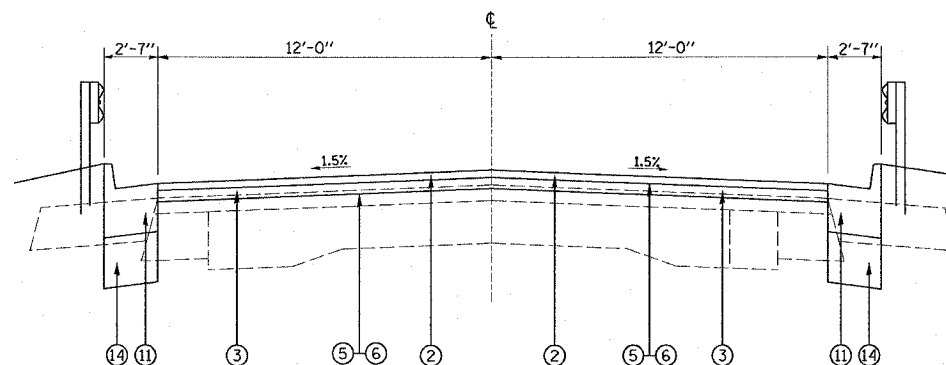
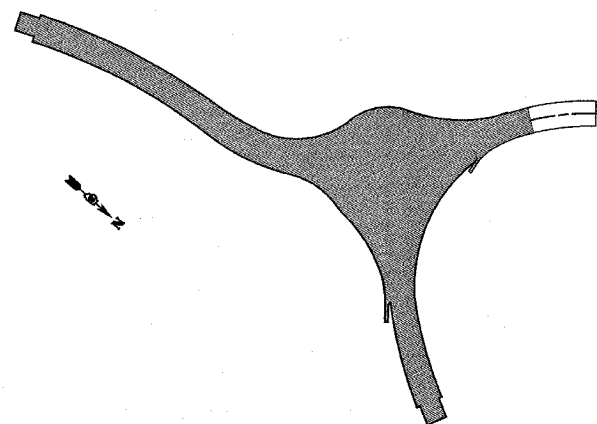


F.A.P. RTE.	SECTION	COUNTY	TOTAL SHEETS	SHEET NO.
*	120R-1	ST. CLAIR	74	8
STA. _____		TO STA. _____		
FED. ROAD DIST. NO. [ILLINOIS] FED. AID PROJECT				
* FAP 592/FAU 9251				

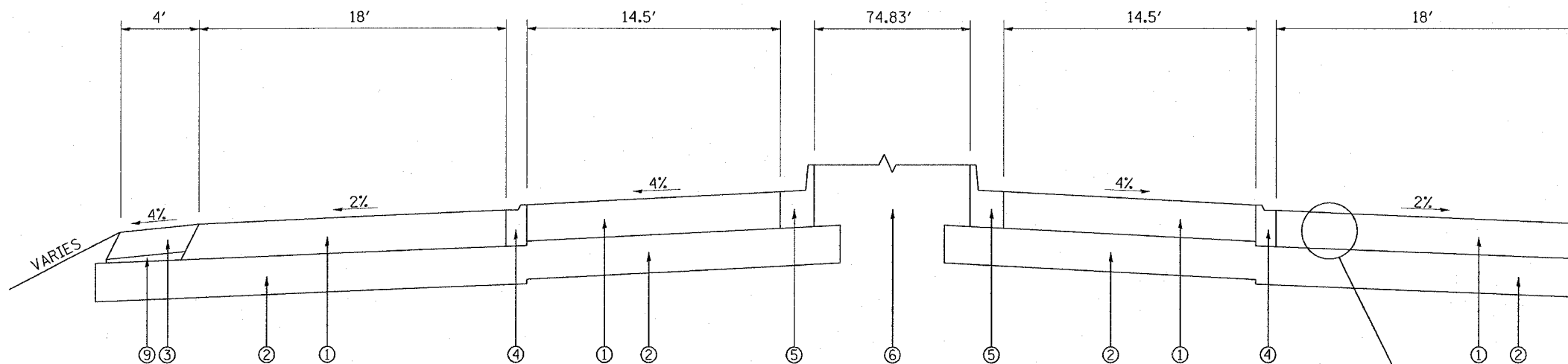


PROPOSED TYPICAL SECTION  
WEST LEG

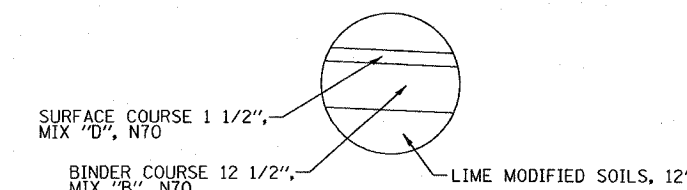
423+50.00 TO 424+40.00

LEGEND

- ① PROPOSED HOT-MIX ASPHALT PAVEMENT (FULL DEPTH) 14"
- ② PROPOSED HOT-MIX ASPHALT SURFACE COURSE 1 1/2"
- ③ PROPOSED HOT-MIX ASPHALT BINDER COURSE (DEPTH VARIES)
- ④ PROPOSED LIME MODIFIED SOILS, 12"
- ⑤ PROPOSED BITUMINOUS PRIME COAT
- ⑥ PROPOSED AGGREGATE PRIME COAT
- ⑦ PROPOSED HOT-MIX ASPHALT SHOULDERS 8"
- ⑧ PROPOSED CONCRETE GUTTER, TYPE A
- ⑨ PROPOSED COMBINATION CONCRETE CURB AND GUTTER, TYPE B-9.06
- ⑩ PROPOSED COMBINATION CONCRETE CURB AND GUTTER, TYPE B-9.24
- ⑪ PROPOSED COMBINATION CONCRETE CURB AND GUTTER, TYPE B-6.12
- ⑫ PROPOSED CONCRETE MEDIAN SURFACE, 4"
- ⑬ PROPOSED COARSE AGGREGATE
- ⑭ PROPOSED SUBBASE GRANULAR MATERIAL, TYPE C



PROPOSED TYPICAL SECTION  
CIRCLE



DETAIL A

NOTE: THE FINAL 1 1/2" OF SURFACE WILL BE PLACED DURING STAGE III. IT WILL STILL BE PAID AS "FULL DEPTH", NO ADDITIONAL COMPENSATION WILL BE ALLOWED.

LEGEND

- ① PROPOSED HOT-MIX ASPHALT PAVEMENT (FULL DEPTH) 14"
- ② PROPOSED LIME MODIFIED SOILS, 12"
- ③ PROPOSED HOT-MIX ASPHALT SHOULDERS 8"
- ④ PROPOSED COMBINATION CONCRETE CURB AND GUTTER, TYPE M-2.12
- ⑤ PROPOSED COMBINATION CONCRETE CURB AND GUTTER, TYPE B-9.24
- ⑥ PROPOSED FURNISHED EXCAVATION
- ⑦ PROPOSED BITUMINOUS PRIME COAT
- ⑧ PROPOSED AGGREGATE PRIME COAT
- ⑨ PROPOSED SUBBASE GRANULAR MATERIAL, TYPE C

STRUCTURAL DESIGN INFORMATION

ROAD CLASSIFICATION: CLASS II  
 STRUCTURAL DESIGN TRAFFIC:  
 PV=9,158 SU=317 MU=125  
 PERCENT OF STRUCTURAL DESIGN TRAFFIC IN DESIGN LANE:  
 P=50% S=50% M=50%  
 MINIMUM SUBGRADE SUPPORT RATING: POOR  
 FLEXIBLE PAVEMENT DESIGN: MINIMUM  $TF_f = 3.81$   
 SELECTED DESIGN AC TYPE 20 SUPERPAVE PG 64-22  
 AC THICKNESS 14 INCHES

REVISIONS		ILLINOIS DEPARTMENT OF TRANSPORTATION
NAME	DATE	
		TYPICAL SECTIONS
SCALE: VERT. _____	HORIZ. _____	DRAWN BY _____
DATE _____		

PLOT DATE = 4/8/2007  
 PLOT SCALE = 1/8"=1'-0"  
 PLOT REFERENCE = REF#