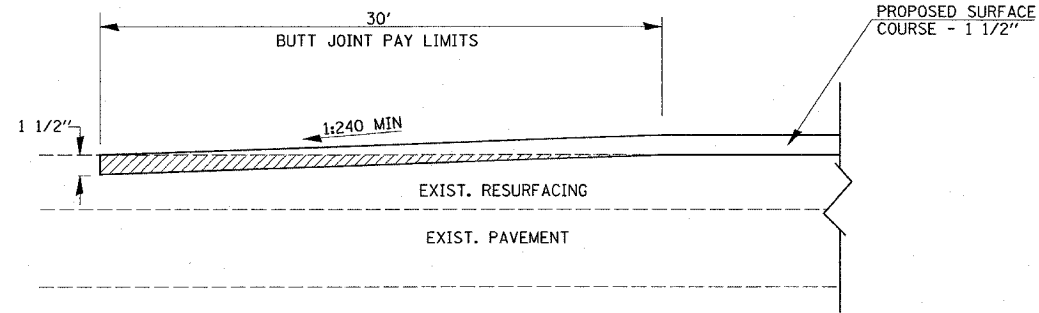
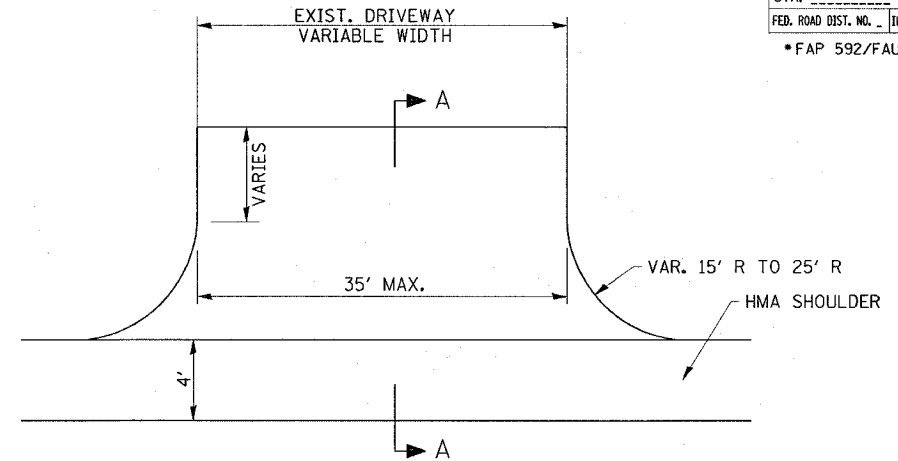


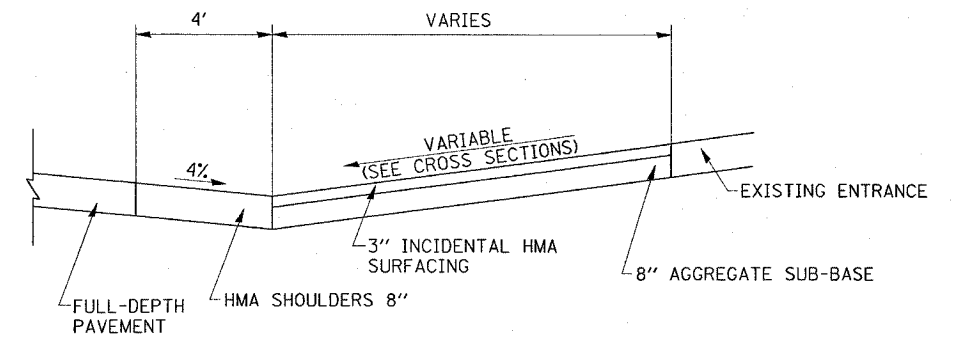
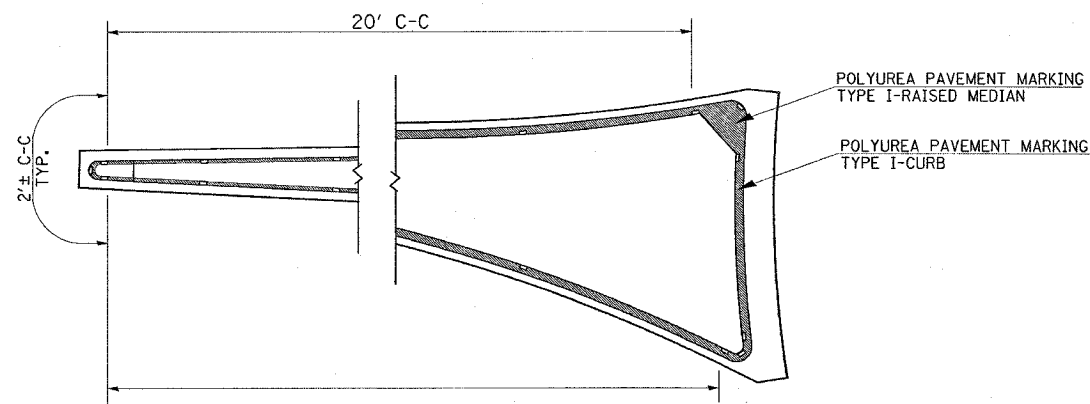
F.A.P. RTE.	SECTION	COUNTY	TOTAL SHEETS	SHEET NO.
120R-1	ST. CLAIR	74	34	
STA. _____		TO STA. _____		
FED. ROAD DIST. NO. _____ ILLINOIS FED. AID PROJECT				
* FAP 592/FAU 9251				



BUTT-JOINT DETAIL
(NOT TO SCALE)

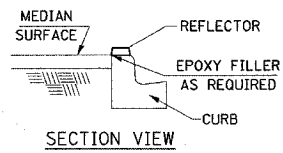


TYPICAL COMMERCIAL ENTRANCE DETAIL*
(NOT TO SCALE)



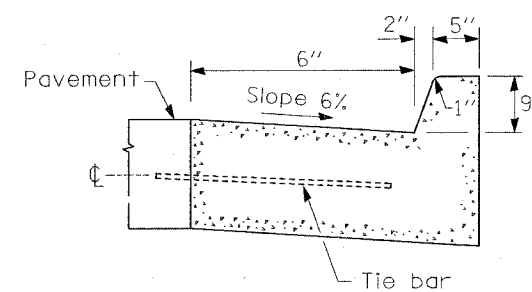
SECTION A-A
(NOT TO SCALE)

*SECTION VALID FOR FOUR CORNERS ROAD



- NOTES**
1. PRISMATIC REFLECTORS SHALL BE MONO-DIRECTIONAL AND POSITIONED SO THAT THE REFLECTIVE FACE IS FACING THE APPROACHING TRAFFIC.
 2. PRISMATIC REFLECTORS SHALL BE SECURED IN PLACE WITH AN EPOXY ADHESIVE.
 3. PRISMATIC REFLECTORS SHALL BE EITHER AMBER IN COLOR.

TYPICAL PLACEMENT OF PRISMATIC REFLECTORS ON CURBS
(NOT TO SCALE)



COMBINATION CONCRETE CURB & GUTTER TYPE B-9.06 (SPECIAL)

REVISIONS		ILLINOIS DEPARTMENT OF TRANSPORTATION
NAME	DATE	
		DETAILS FAP ROUTE 592/FAU 9251 SECTION 120R-1 ST. CLAIR COUNTY SCALE: VERT. _____ HORIZ. _____ DATE _____ DRAWN BY _____ CHECKED BY _____