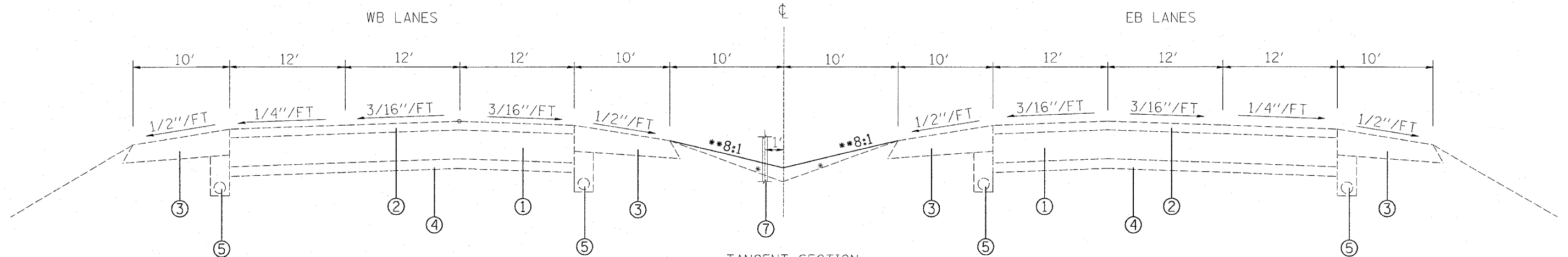
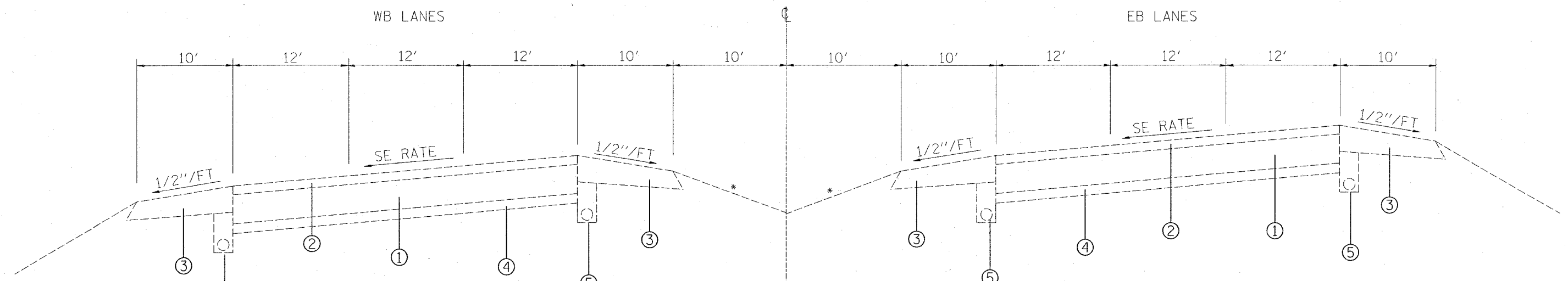


F.A.I. RTE.	SECTION	COUNTY	TOTAL SHEETS	SHEET NO.
64	82-(1,2,3,4)I-1	ST. CLAIR	42	4
STA.		TO STA.		
FED. ROAD DIST. NO.	ILLINOIS	FED. AID PROJECT		



TANGENT SECTION
 STA. 77+46 - STA. 138+00
 ** REGRADE MEDIAN SLOPE TO 8:1
 STA. 106+57 - STA. 120+00



SUPERELEVATED SECTION
 STA. 77+46 - STA. 138+00

OMISSION: STATION 89+00 - STATION 105+00

LEGEND

- ① EXISTING PCC PAVEMENT 10"
- ② EXISTING HOT-MIX ASPHALT SURFACE
- ③ EXISTING HOT MIX-ASPHALT SHOULDER
- ④ EXISTING SUBBASE
- ⑤ EXISTING PIPE UNDERDRAIN
- ⑥ PROPOSED HOT MIX-ASPHALT SHOULDER, 4" (MOW STRIP)
- ⑦ PROPOSED HIGH TENSION CABLE MEDIAN BARRIER

PLOT DATE = DATE
 PLOT SCALE = SCALE
 REFERENCE = REF

REVISIONS	
NAME	DATE

ILLINOIS DEPARTMENT OF TRANSPORTATION
TYPICAL SECTIONS
 FAI ROUTE 64
 SECTION 82-(1,2,3,4)I-1
 ST. CLAIR COUNTY

SCALE: VERT.
 HORIZ.
 DATE

DRAWN BY
 CHECKED BY

* MEDIAN SLOPES VARY 4:1 TO 6:1