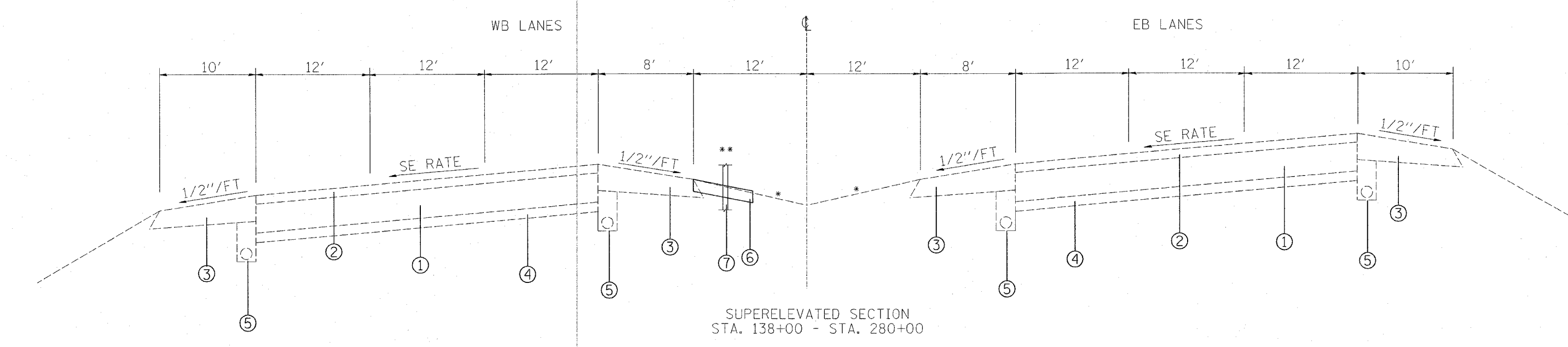
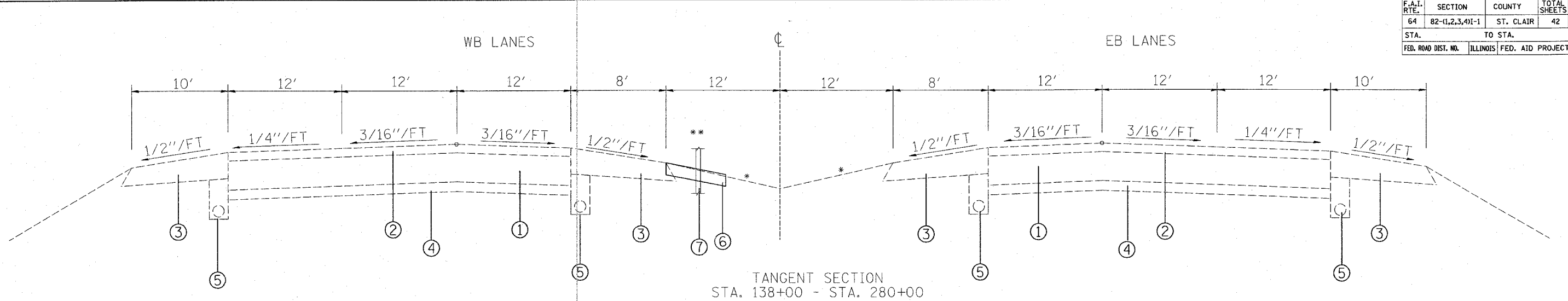


F.A.I. RTE.	SECTION	COUNTY	TOTAL SHEETS	SHEET NO.
64	82-(1,2,3,4)1-1	ST. CLAIR	42	5
STA.		TO STA.		
FED. ROAD DIST. NO.		ILLINOIS FED. AID PROJECT		

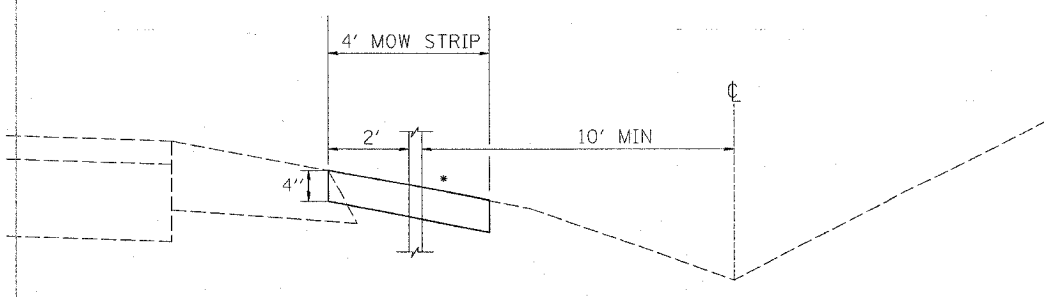


* MEDIAN SLOPES VARY 4:1 AND FLATTER

** LOCATION OF HTC AND MOW STRIP VARIES BETWEEN EB AND WB LANES. SEE PLAN SHEETS FOR LOCATIONS.

LEGEND

- ① EXISTING PCC PAVEMENT 10"
- ② EXISTING HOT-MIX ASPHALT SURFACE
- ③ EXISTING HOT MIX-ASPHALT SHOULDER
- ④ EXISTING SUBBASE
- ⑤ EXISTING PIPE UNDERDRAIN
- ⑥ PROPOSED HOT MIX-ASPHALT SHOULDER, 4" (MOW STRIP)
- ⑦ PROPOSED HIGH TENSION CABLE MEDIAN BARRIER



* MATCH EXISTING SLOPE; MUST BE 4:1 OR FLATTER. SEE GENERAL NOTE 15

PLOT DATE = ADATES
 FILE NAME = AFILS
 PLOT SCALE = ASKLES
 REFERENCE = AREF

REVISIONS	
NAME	DATE

ILLINOIS DEPARTMENT OF TRANSPORTATION
TYPICAL SECTIONS
 FAI ROUTE 64
 SECTION 82-(1,2,3,4)1-1
 ST. CLAIR COUNTY

SCALE: VERT. _____
 HORIZ. _____

DATE _____ DRAWN BY _____
 CHECKED BY _____