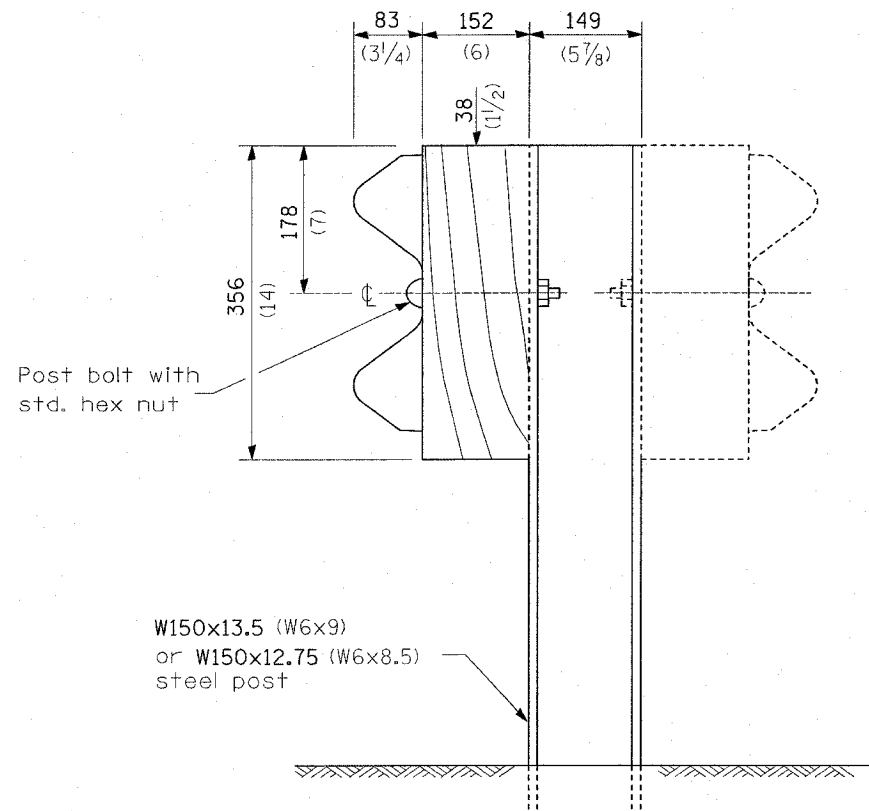
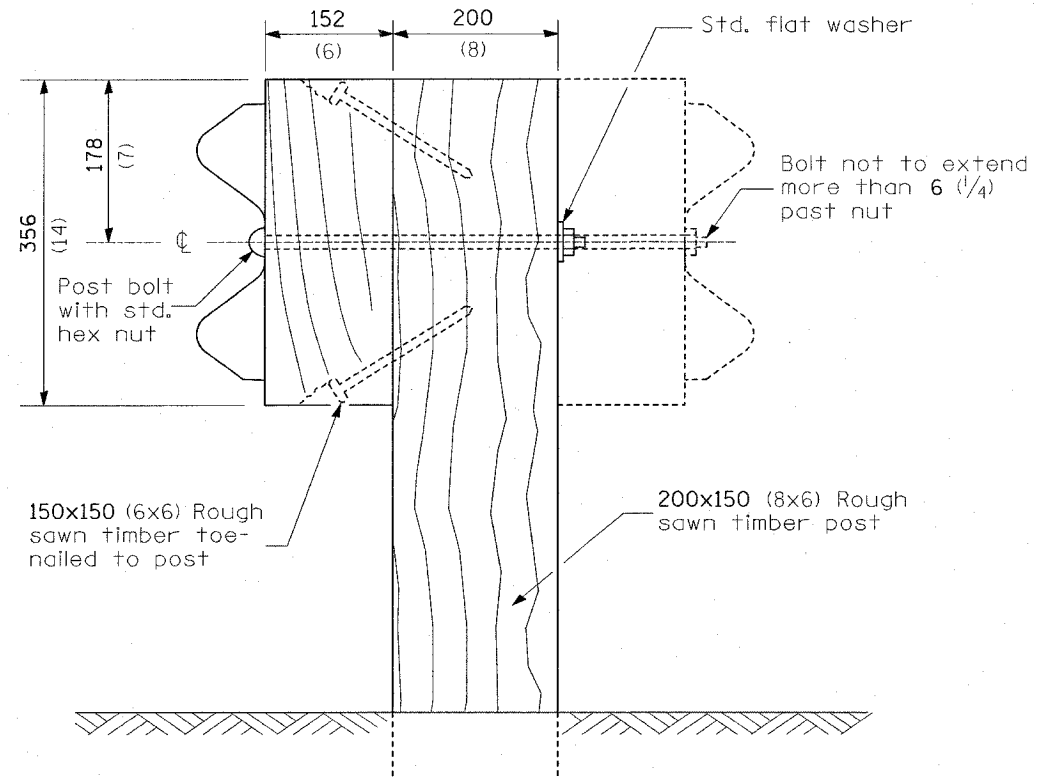


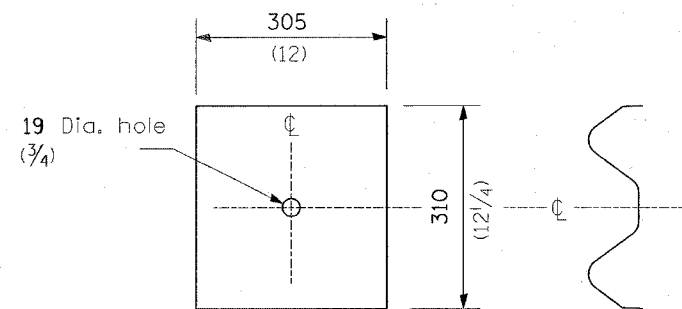
CONTRACT NO. 76A18				
F.A.I. RTE.	SECTION	COUNTY	TOTAL SHEET NO.	
64	82-(1,2,3,4)I-1	ST. CLAIR	42	39
STA.		TO STA.		
FED. ROAD DIST. NO.		ILLINOIS FED. AID PROJECT		



STEEL POST CONSTRUCTION



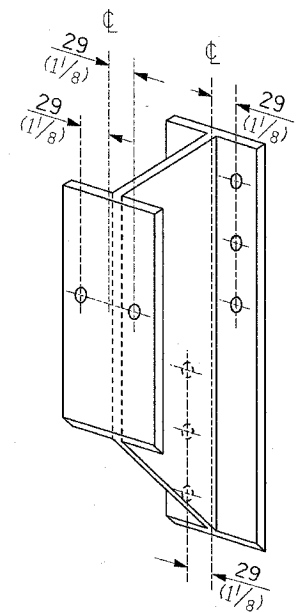
WOOD POST CONSTRUCTION



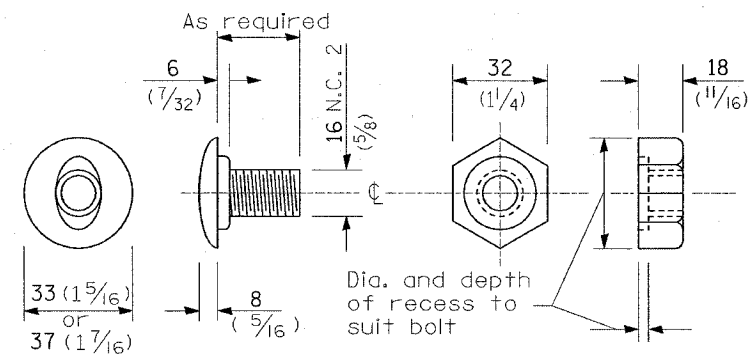
NOTE

Plate A shall be placed between rail element and block-out at non-splice mounting points only when steel block-outs are used.

PLATE A



STEEL BLOCK-OUT DETAIL



POST OR SPLICE BOLT & NUT

ILLINOIS DEPARTMENT OF TRANSPORTATION

**STEEL PLATE BEAM
GUARDRAIL**

FAI ROUTE 64
SECTION 82-(1,2,3,4)I-1
ST. CLAIR COUNTY