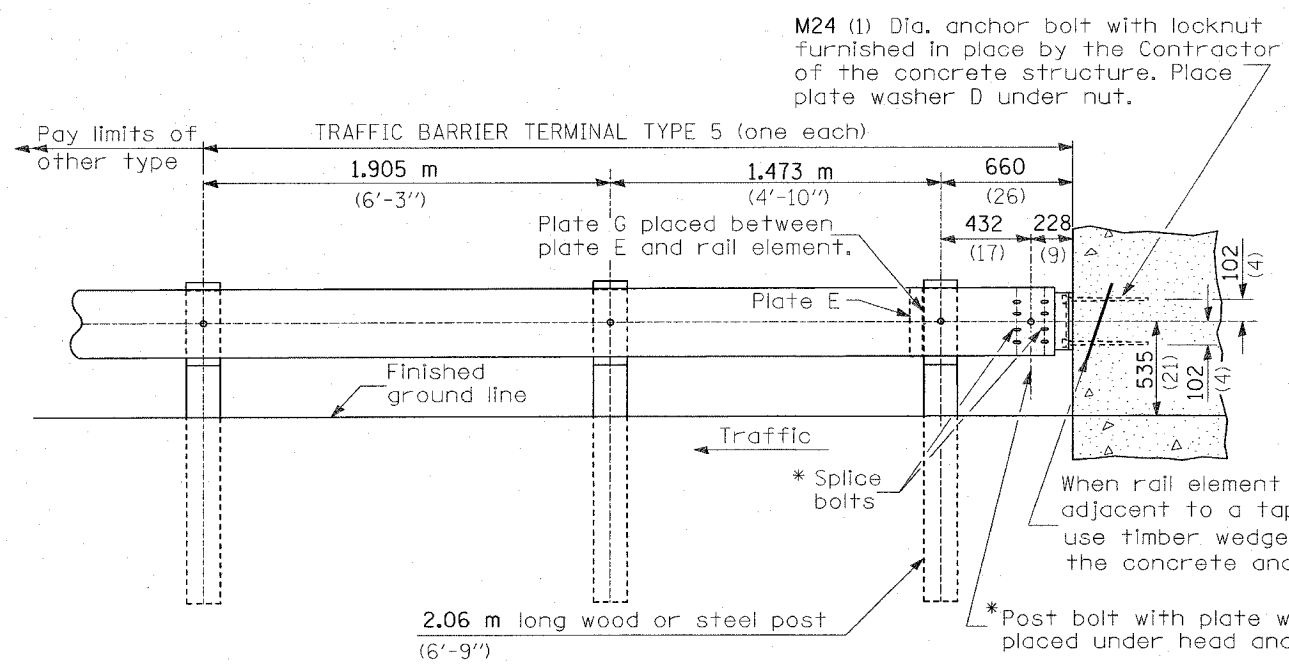
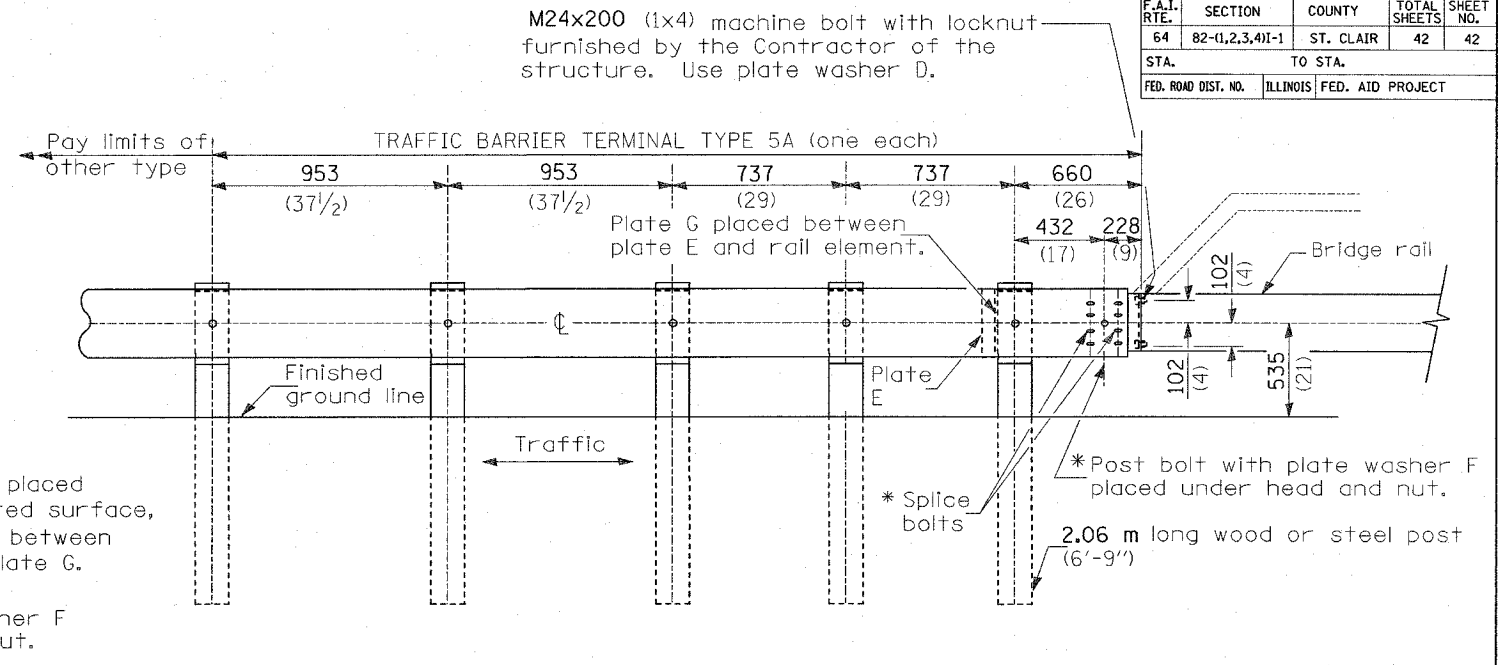


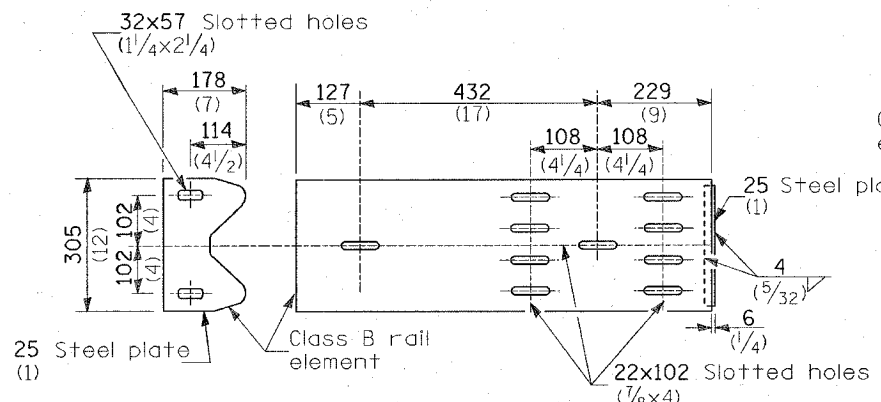
CONTRACT NO. 76A18				
F.A.I. RTE.	SECTION	COUNTY	TOTAL SHEETS	SHEET NO.
64	82-1,2,3,4I-1	ST. CLAIR	42	42
STA.		TO STA.		
FED. ROAD DIST. NO.		ILLINOIS FED. AID PROJECT		



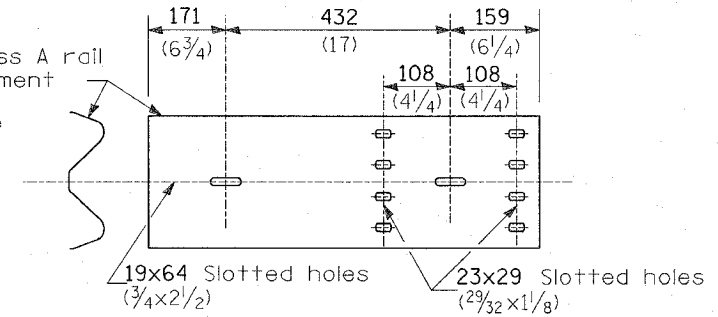
**TYPE 5 - CONCRETE BRIDGE PARAPET**



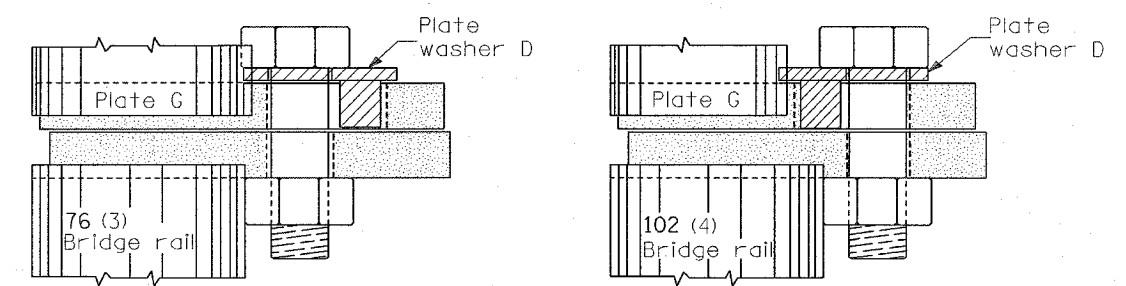
**TYPE 5A - STEEL BRIDGE RAIL**



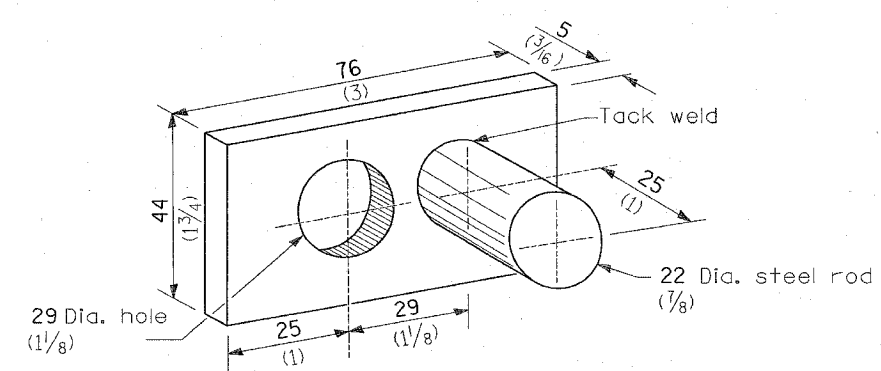
**PLATE G**



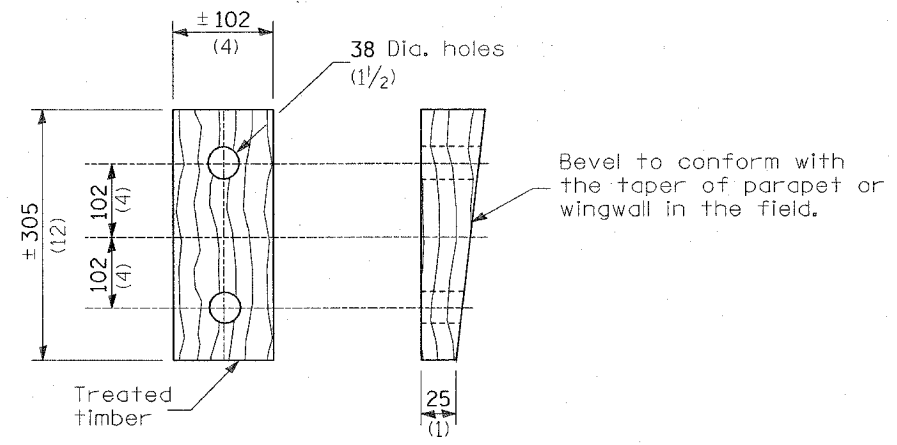
**PLATE E**



**PLACEMENT OF PLATE WASHER D (PLAN)**



**PLATE WASHER D**



**WEDGE M**

**GENERAL NOTES**

Install plate washer D so that the 25 mm (1") projection fills the remainder of the slotted holes in the 25 mm (1") end plate on plate G after the M24 (1") dia. bolts are in place.

\* Bolts shall be provided with locknut or double nut and shall be tightened only to a point that will allow plate G to be free to move when an expansion joint exists below the connector.

See Standard 630001 for details of guardrail not shown.

All dimensions are in millimeters (inches) unless otherwise shown.

ILLINOIS DEPARTMENT OF TRANSPORTATION  
**TRAFFIC BARRIER TERMINAL TYPE 5 & 5A**  
 FAI ROUTE 64  
 SECTION 82-1,2,3,4I-1  
 ST. CLAIR COUNTY