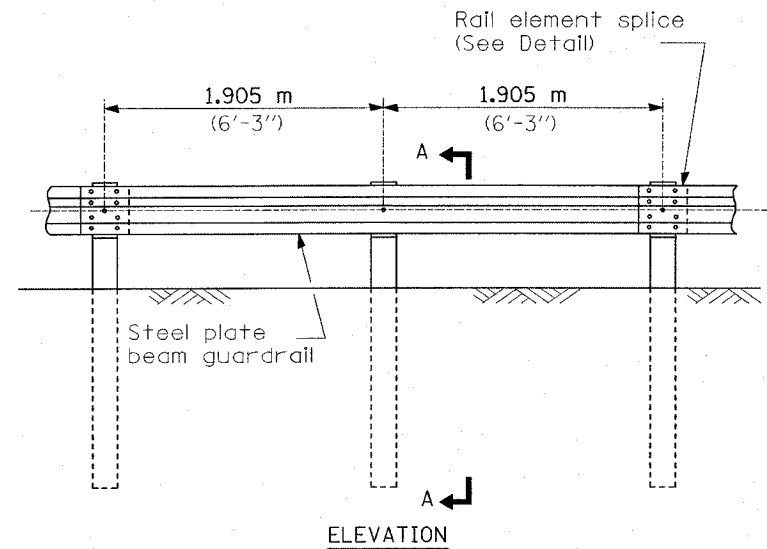
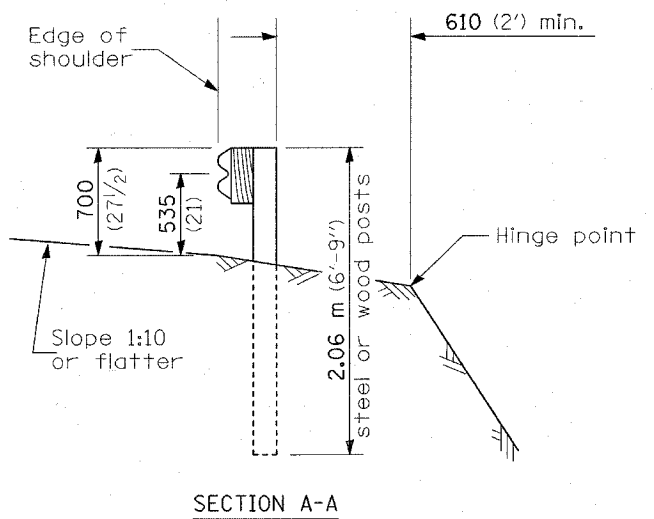


CONTRACT NO. 76A20				
F.A.I. RTE.	SECTION	COUNTY	TOTAL SHEETS	SHEET NO.
64	60-(2,3)I	MADISON	32	27
STA.	TO STA.			
FED. ROAD DIST. NO.	ILLINOIS	FED. AID PROJECT		

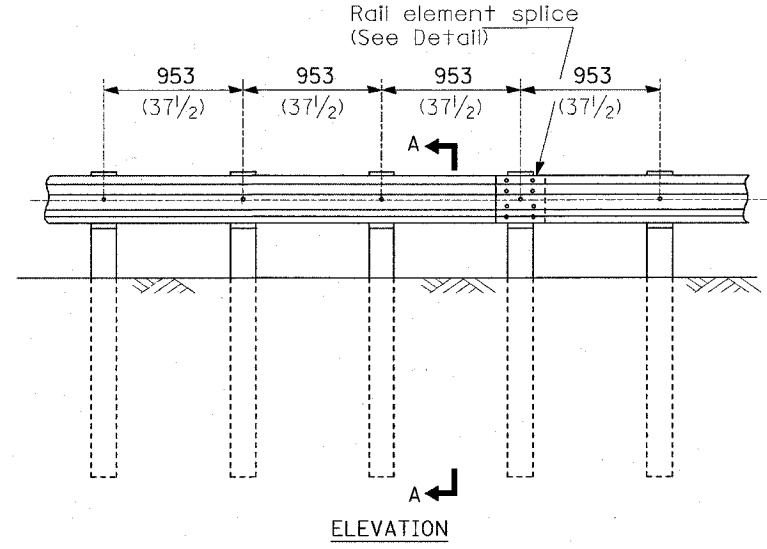


**TYPE A**

1.905 m (6'-3") Typical post spacing

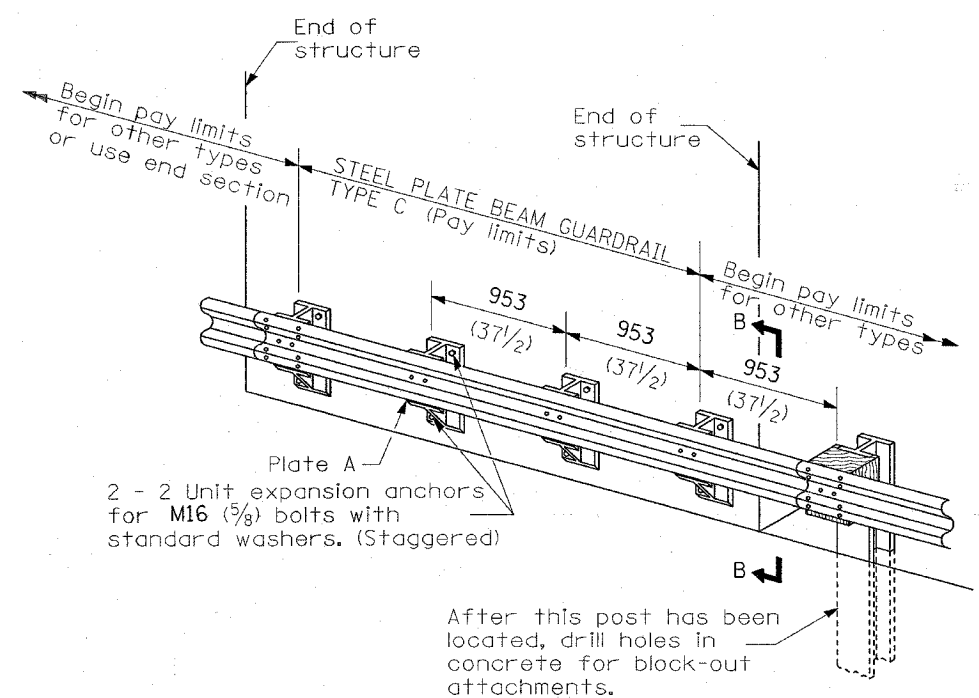


SECTION A-A



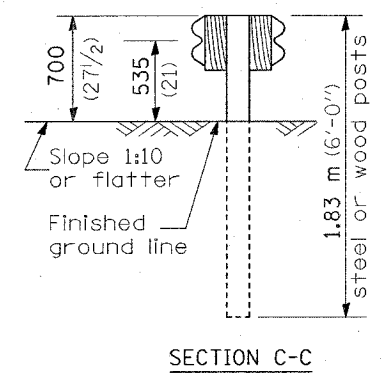
**TYPE B**

953 (37 1/2) Closed post spacing

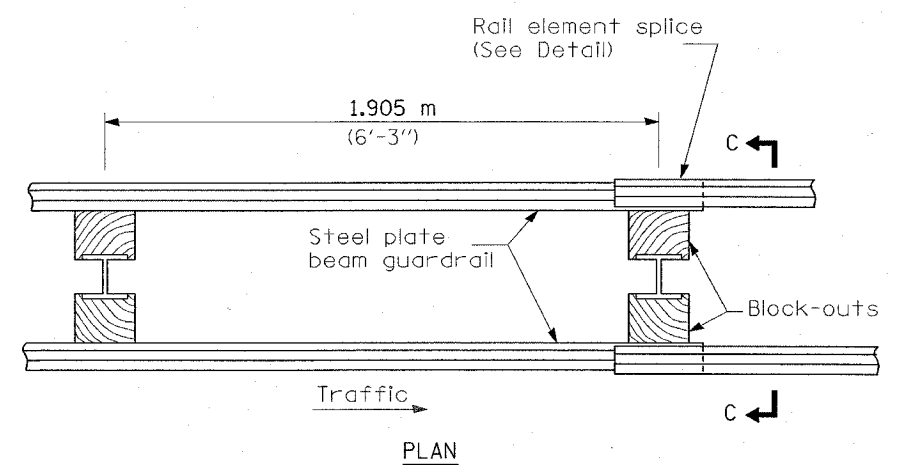


**TYPE C**

953 (37 1/2) Block-out spacing

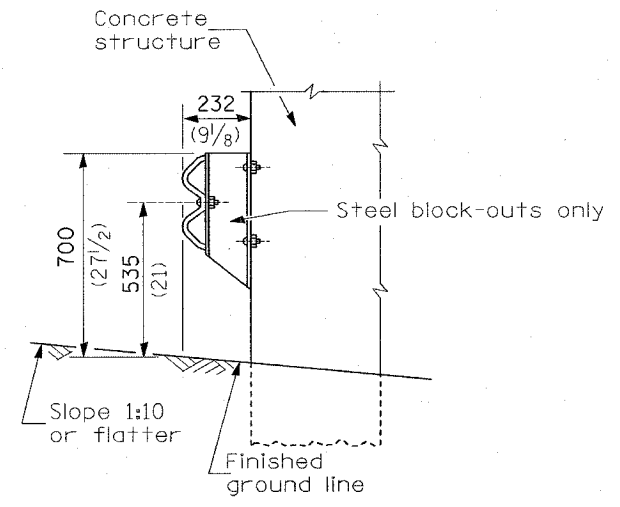


SECTION C-C



**TYPE D**

Double steel plate beam guardrail  
1.905 m (6'-3") typical post spacing



SECTION B-B

**GENERAL NOTES**

All slope ratios are expressed as units of vertical displacement to units of horizontal displacement (V:H).  
All dimensions are in millimeters (inches) unless otherwise shown.

ILLINOIS DEPARTMENT OF TRANSPORTATION

**STEEL PLATE BEAM GUARDRAIL**

FAI RTE 270  
SECTION 60-(2,3)I  
MADISON COUNTY