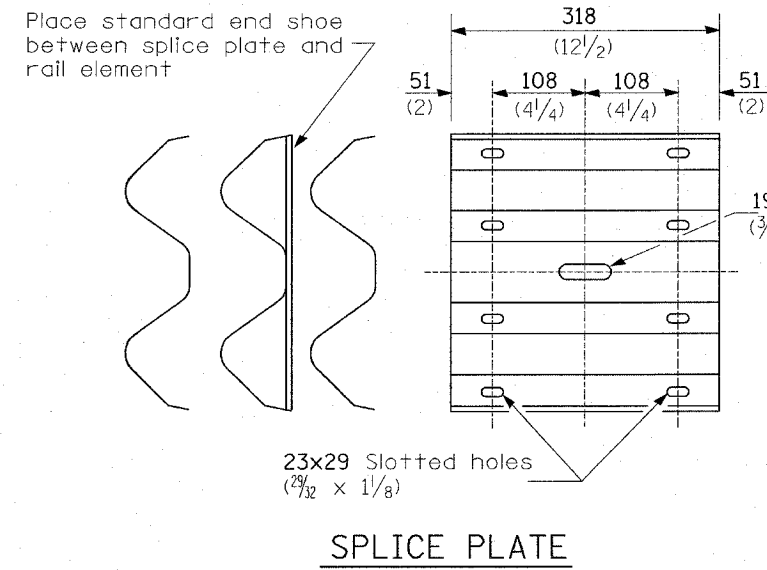
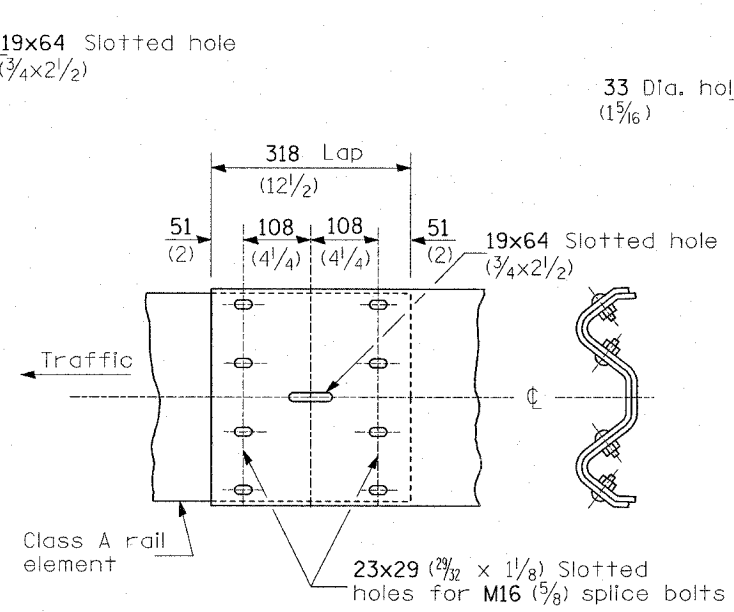


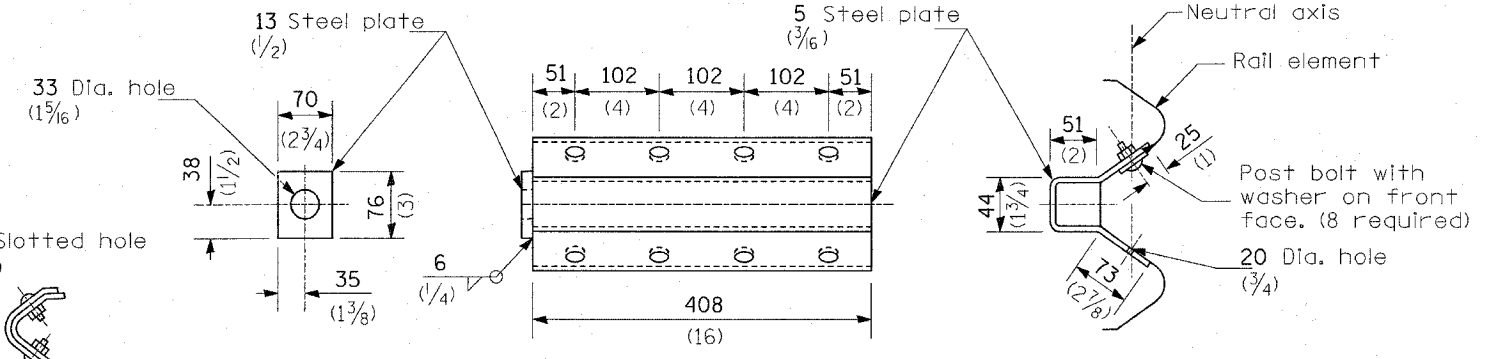
CONTRACT NO. 76A20				
F.A.I. RTE.	SECTION	COUNTY	TOTAL SHEETS	SHEET NO.
64	60-(2,3)I	MADISON	32	29
STA.		TO STA.		
FED. ROAD DIST. NO.		ILLINOIS FED. AID PROJECT		



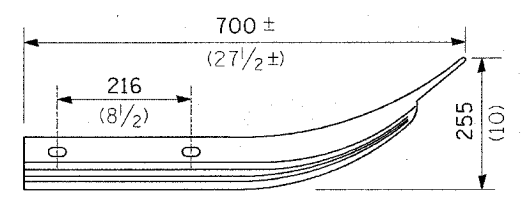
SPLICE PLATE



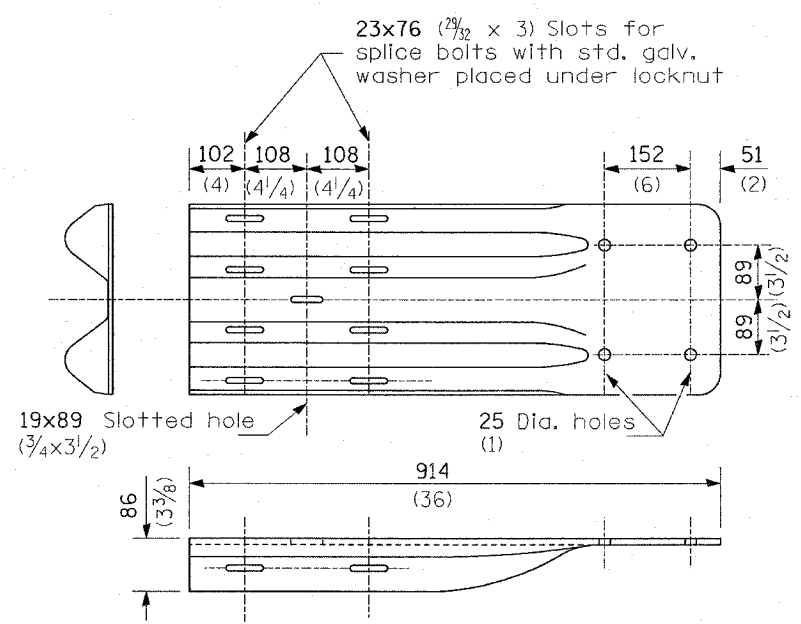
RAIL ELEMENT SPLICE



ANCHOR PLATE T DETAILS



END SECTION



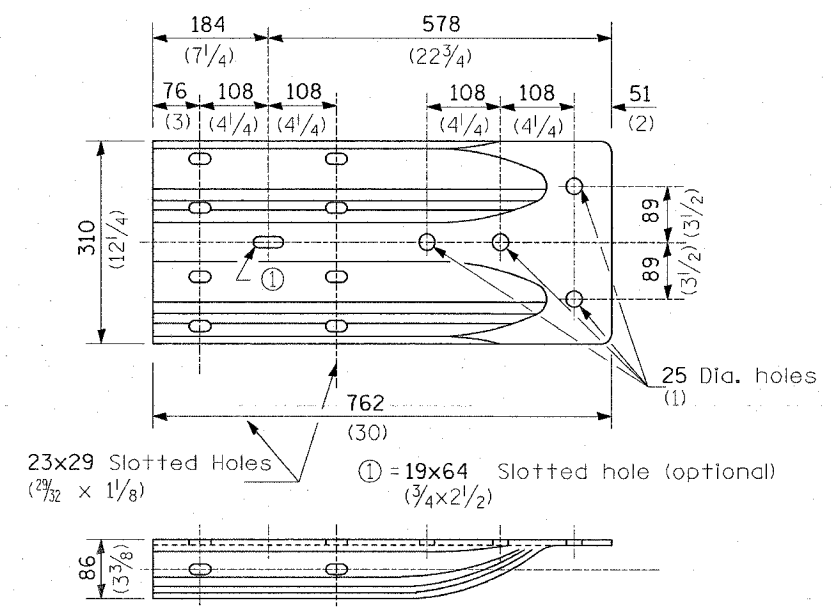
NOTE

When end shoe is attached to a bridge parapet which has an expansion joint, the bolts shall be provided with a locknut or double nut and shall be tightened only to a point that will allow guardrail movement.

The standard end shoe shall be attached to the concrete with pre-drilled or self-drilling anchor bolts. The anchor cone shall be set flush with the surface of the concrete.

Externally threaded studs protruding from the surface of the concrete will not be permitted.

END SHOE



ALTERNATE END SHOE

ILLINOIS DEPARTMENT OF TRANSPORTATION
STEEL PLATE BEAM GUARDRAIL
 FAI RTE 270
 SECTION 60-(2,3)I
 MADISON COUNTY