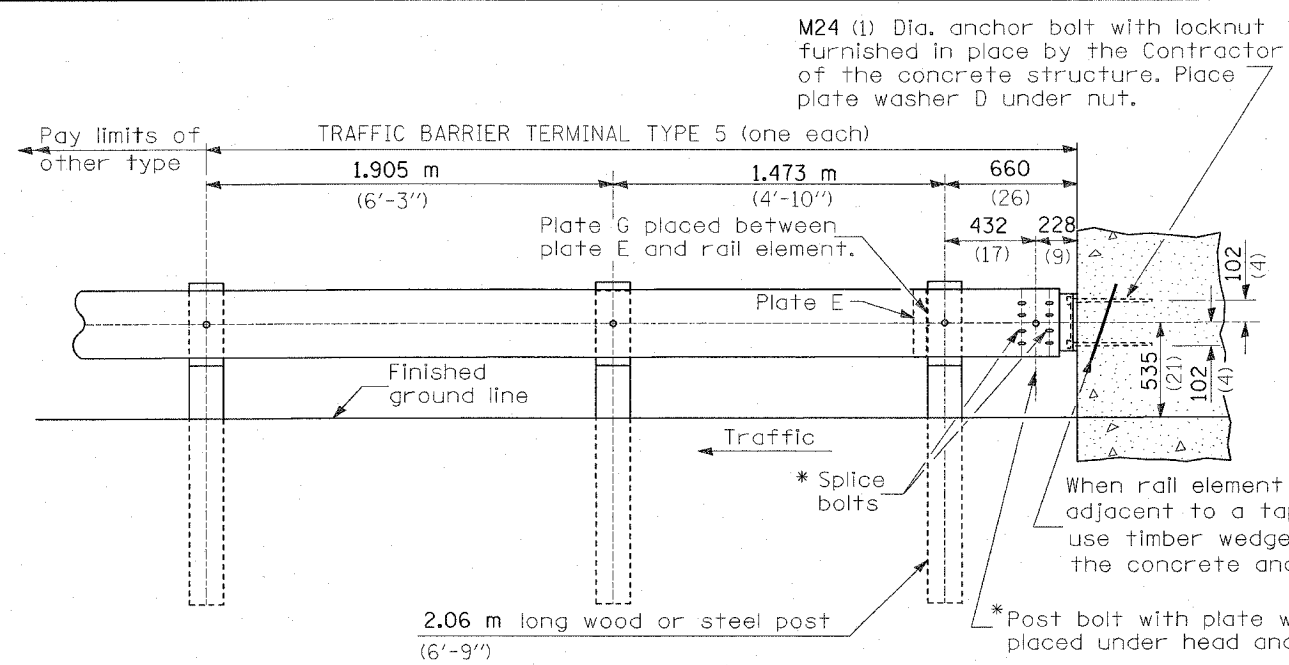
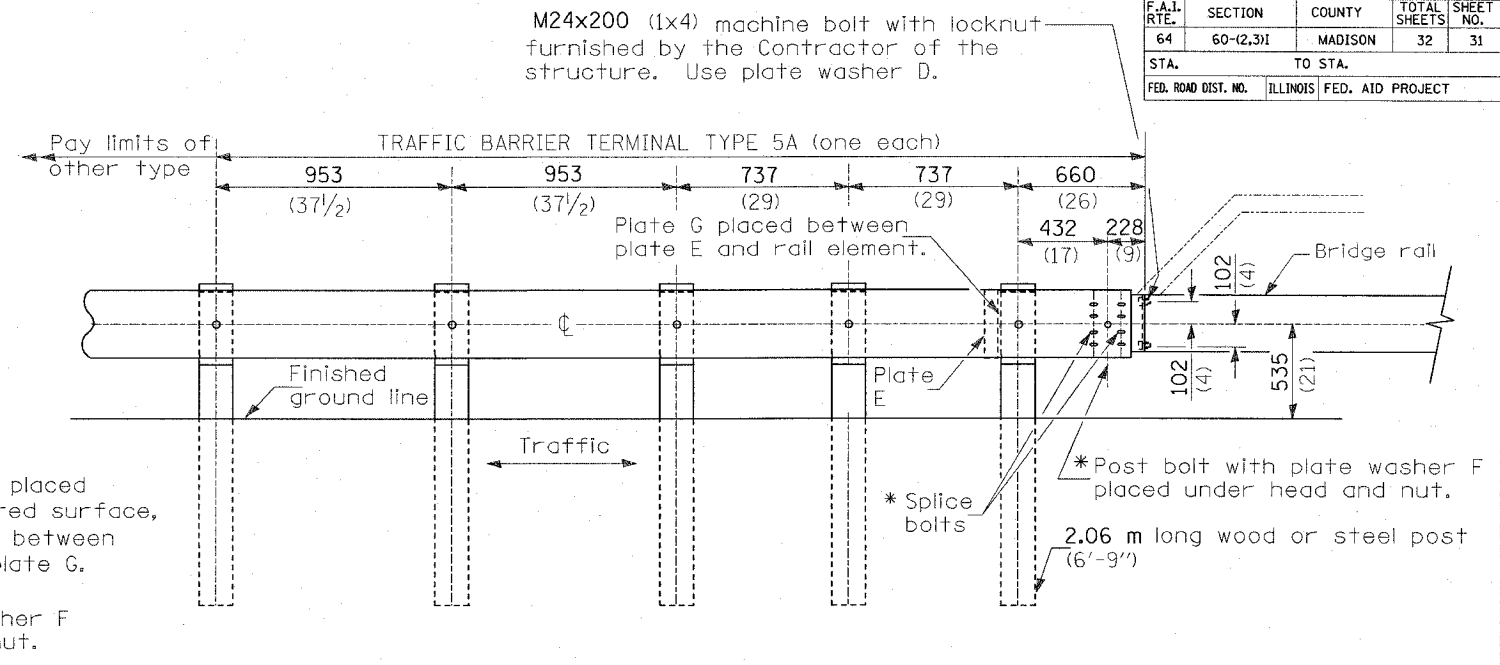


CONTRACT NO. 76A20				
F.A.I. RTE.	SECTION	COUNTY	TOTAL SHEETS	SHEET NO.
64	60-(2,3)I	MADISON	32	31
STA.		TO STA.		
FED. ROAD DIST. NO. ILLINOIS FED. AID PROJECT				



TYPE 5 - CONCRETE BRIDGE PARAPET



TYPE 5A - STEEL BRIDGE RAIL

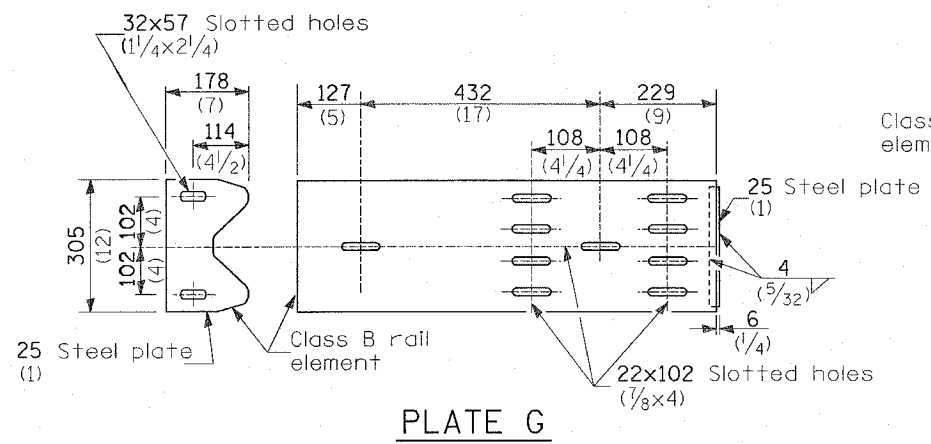


PLATE G

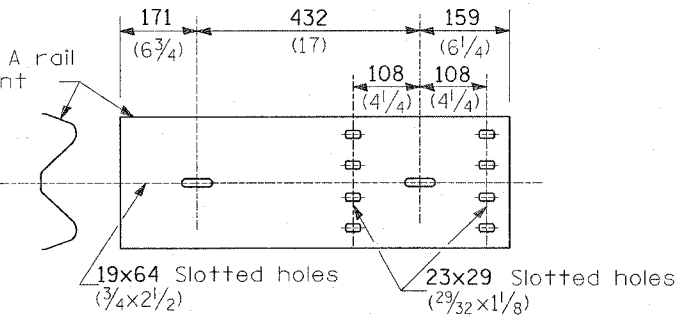
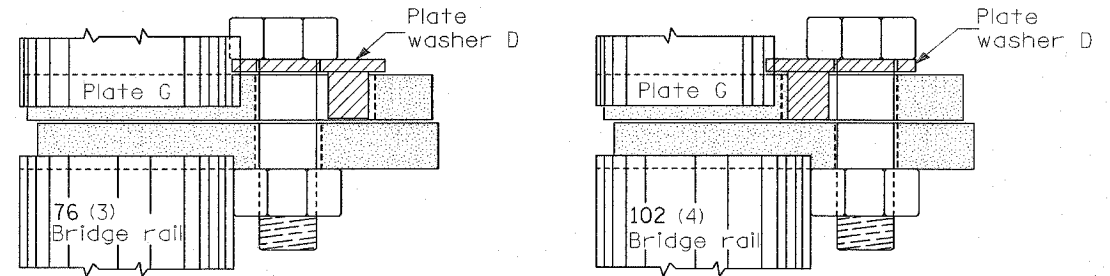


PLATE E



PLACEMENT OF PLATE WASHER D (PLAN)

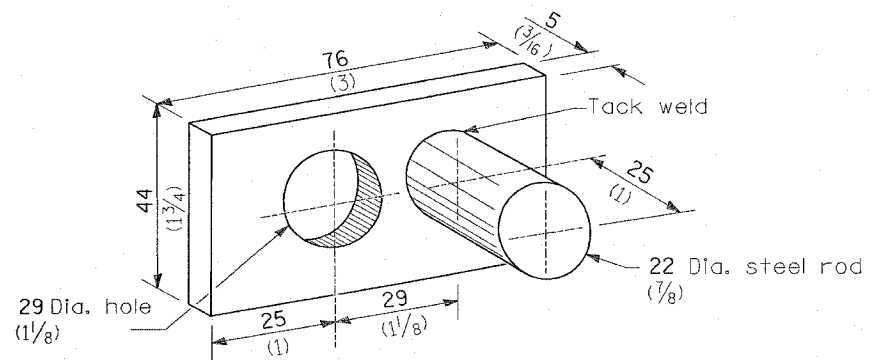
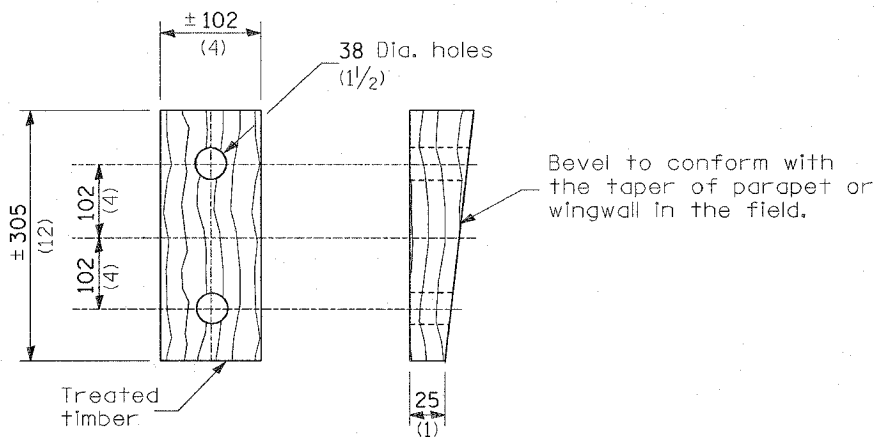


PLATE WASHER D



WEDGE M

GENERAL NOTES

- Install plate washer D so that the 25 mm (1") projection fills the remainder of the slotted holes in the 25 mm (1") end plate on plate G after the M24 (1") dia. bolts are in place.
- * Bolts shall be provided with locknut or double nut and shall be tightened only to a point that will allow plate G to be free to move when an expansion joint exists below the connector.
- See Standard 630001 for details of guardrail not shown.
- All dimensions are in millimeters (inches) unless otherwise shown.

ILLINOIS DEPARTMENT OF TRANSPORTATION
**TRAFFIC BARRIER TERMINAL
 TYPE 5 & 5A**
 FAI RTE 270
 SECTION 60-(2,3)I
 MADISON COUNTY