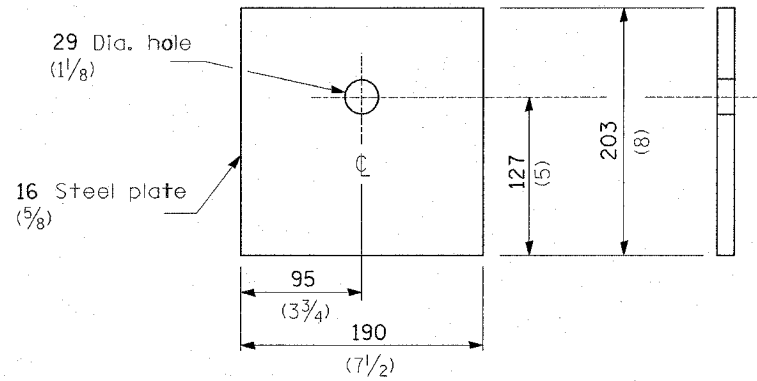
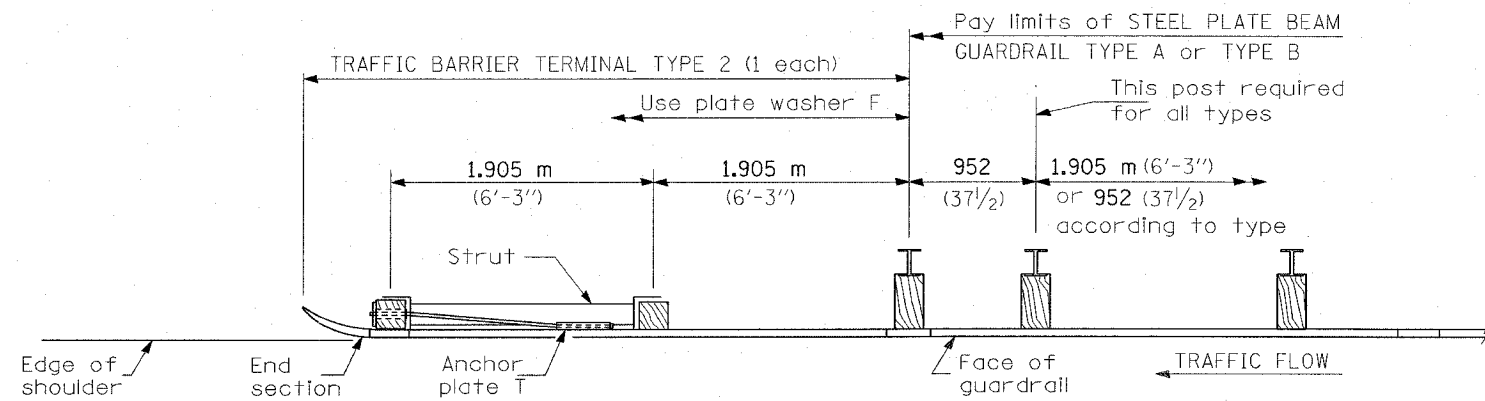


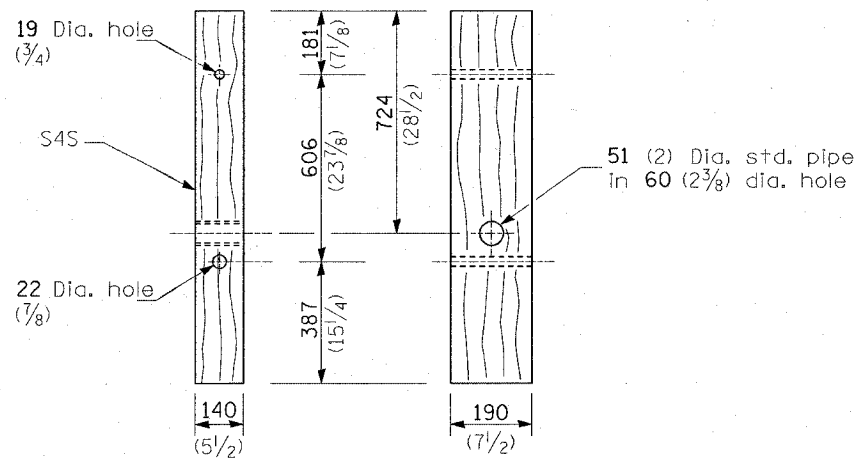
F.A.I. RTE.	SECTION	COUNTY	TOTAL SHEETS	SHEET NO.
270	60-(2,3)I	MADISON	32	32
STA.		TO STA.		
FED. ROAD DIST. NO.		ILLINOIS FED. AID PROJECT		



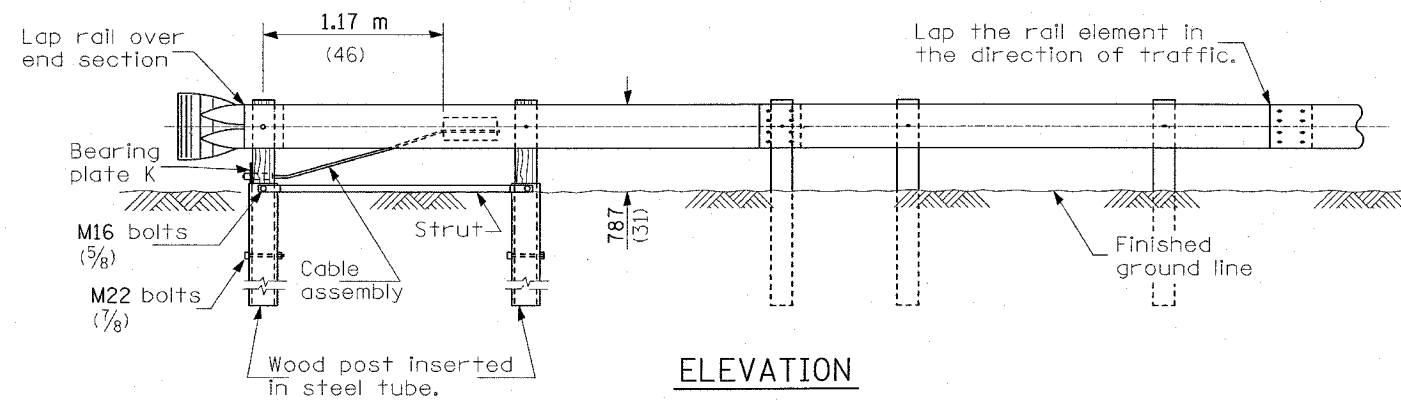
BEARING PLATE K



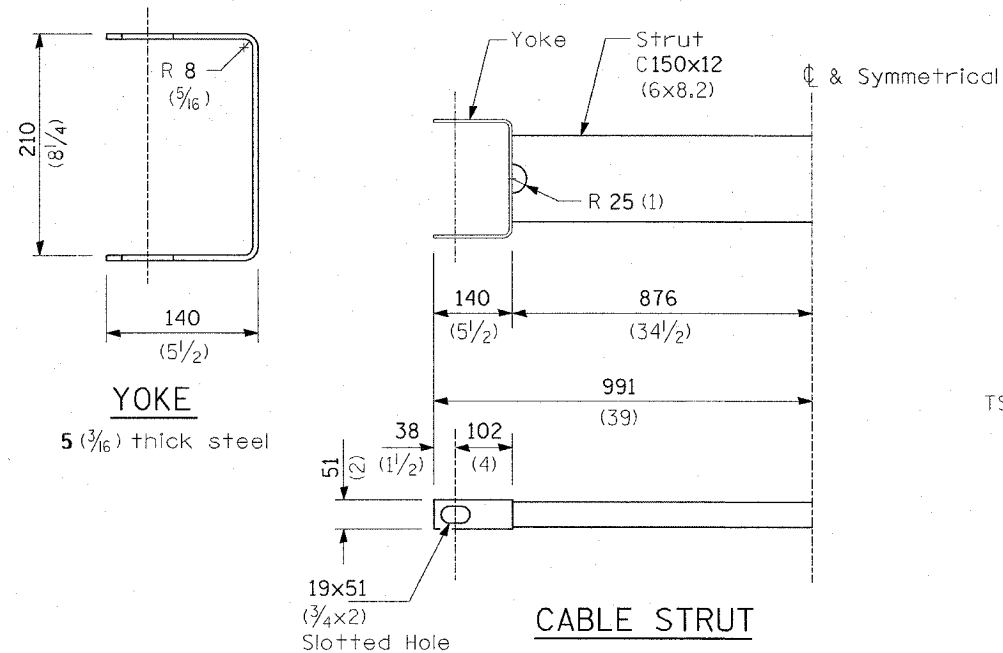
PLAN



WOOD POST



ELEVATION



YOKE

CABLE STRUT

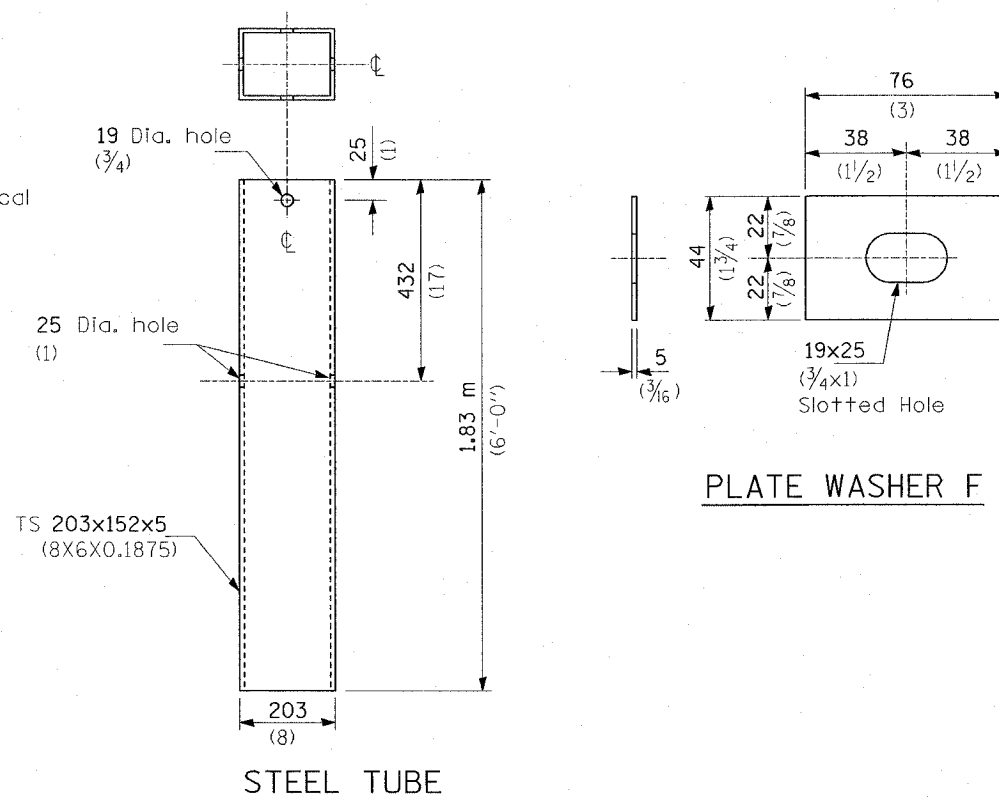


PLATE WASHER F

STEEL TUBE

GENERAL NOTES

See Standard 630001 for details of guardrail not shown.

The bearing plate K shall be held in position by (2) two eight penny nails driven into the post and bent over the top of the plate.

All dimensions are in millimeters (inches) unless otherwise shown.

REVISIONS	
NAME	DATE

ILLINOIS DEPARTMENT OF TRANSPORTATION

TRAFFIC BARRIER TERMINAL, TYPE 2

FAI RTE 270
SECTION 60-(2,3)I
MADISON COUNTY

DRAWN BY:

PLOT DATE: *DATE-TIME*

DATE	
PLAN	
NO.	
DATE	
NO.	
DATE	
NO.	
DATE	
NO.	