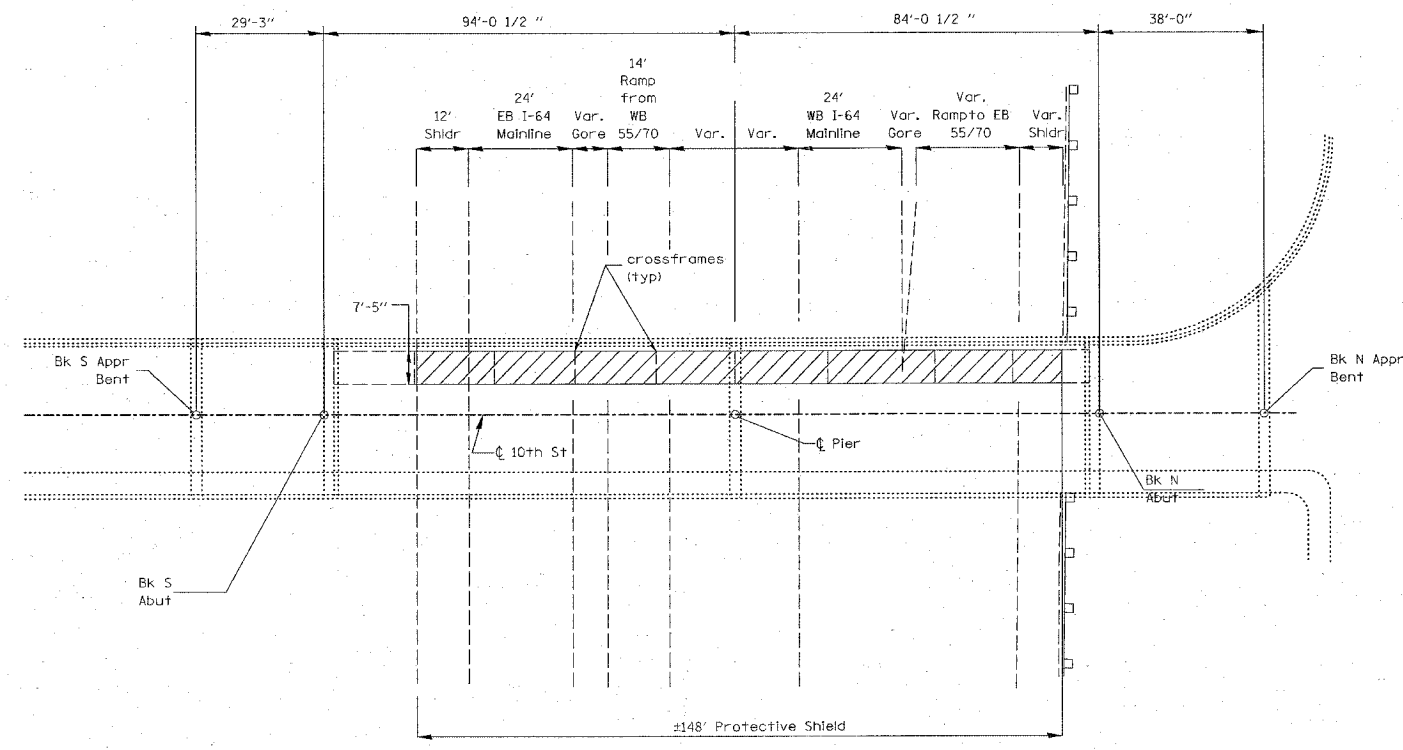
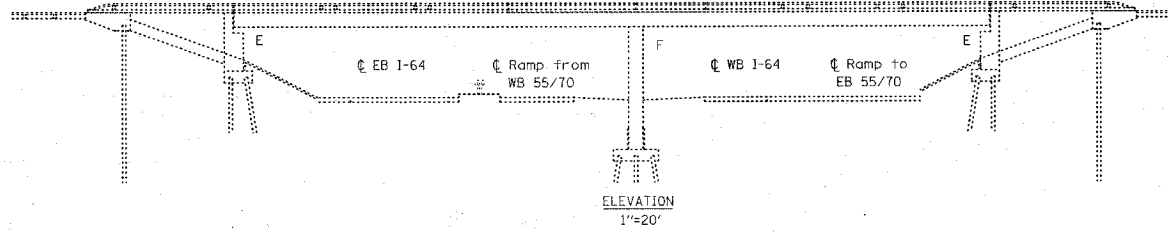
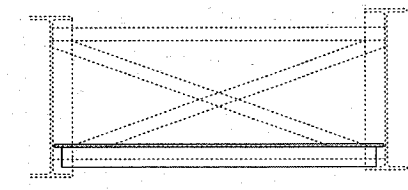
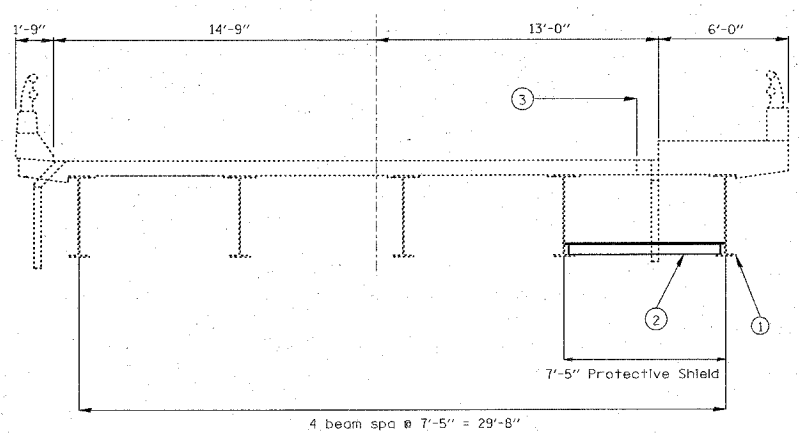
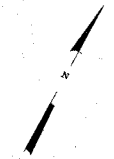


CONTRACT NO. 76A49			
F.A. RTE.	SECTION	COUNTY	TOTAL SHEET NO.
VAR.	•	VARIOUS	8 5A
STA.		TO STA.	
FED. ROAD DIST. NO.	ILLINOIS	FED. AID PROJECT	
• DIST 8 BRIDGE REHAB 2008-1			



- LEGEND
- ① Existing 48" web P Girder (Bottom flange is 14" wide)
  - ② PROTECTIVE SHIELDING (PERMANENT) - S bay only
  - ③ Existing deteriorated longitudinal construction joint



REVISIONS	
NAME	DATE

ILLINOIS DEPARTMENT OF TRANSPORTATION  
**SN 082-0150**  
**10TH ST. OVER I-64**  
 VARIOUS ROUTES  
 DIST 8 BRIDGE REHAB 2008-1  
 ST. CLAIR & MADISON COUNTIES

SCALE: VERT. \_\_\_\_\_  
 HORIZ. \_\_\_\_\_

DRAWN BY \_\_\_\_\_  
 CHECKED BY \_\_\_\_\_

PLOT DATE = 4/28/2007  
 FILE NAME = c:\p\proj\082-0150\10th\plan\10th-023087.dgn  
 PLOT SCALE = 20,0000 / IN  
 USER NAME = mloster