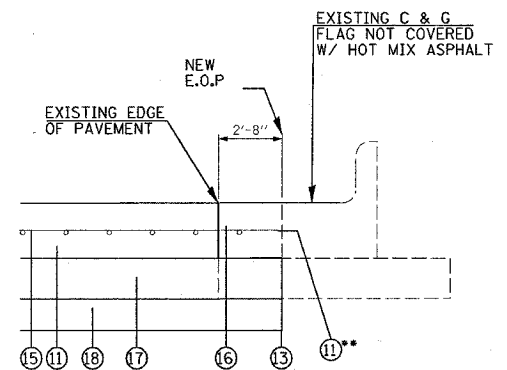
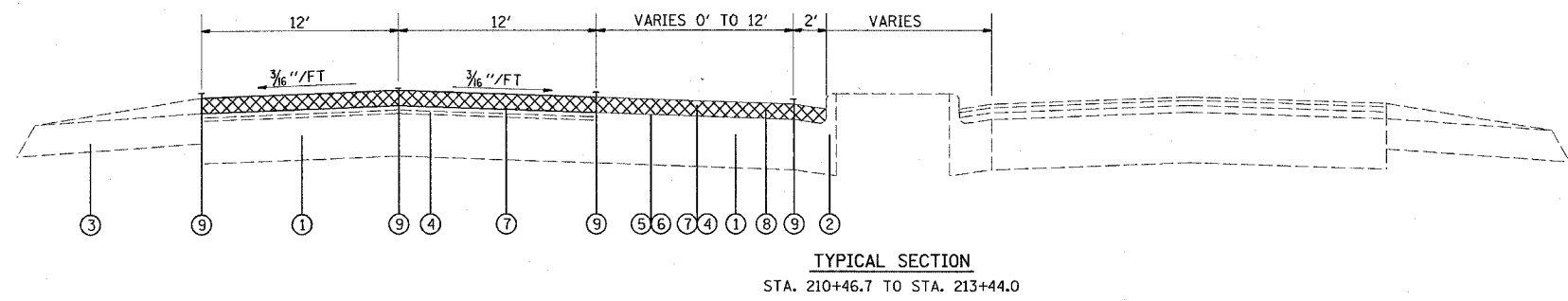
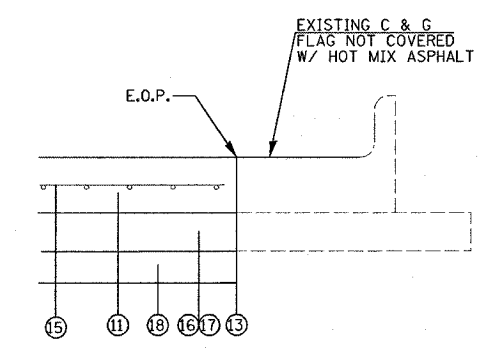
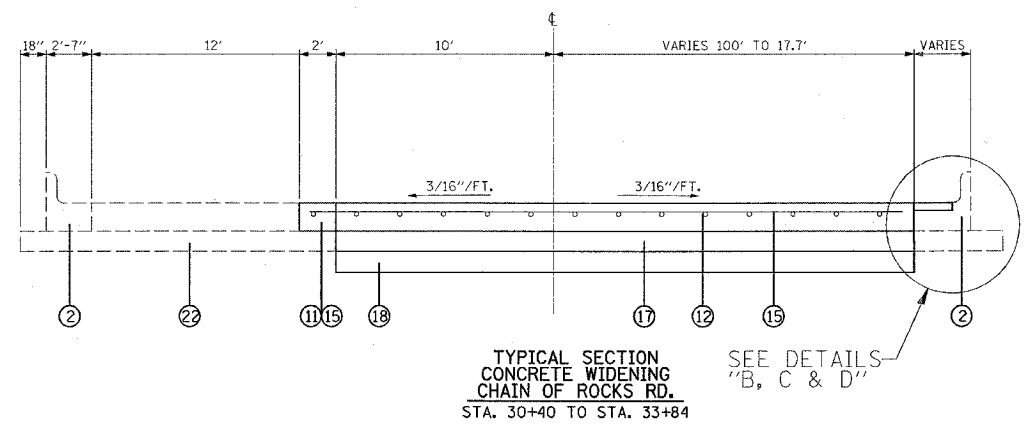


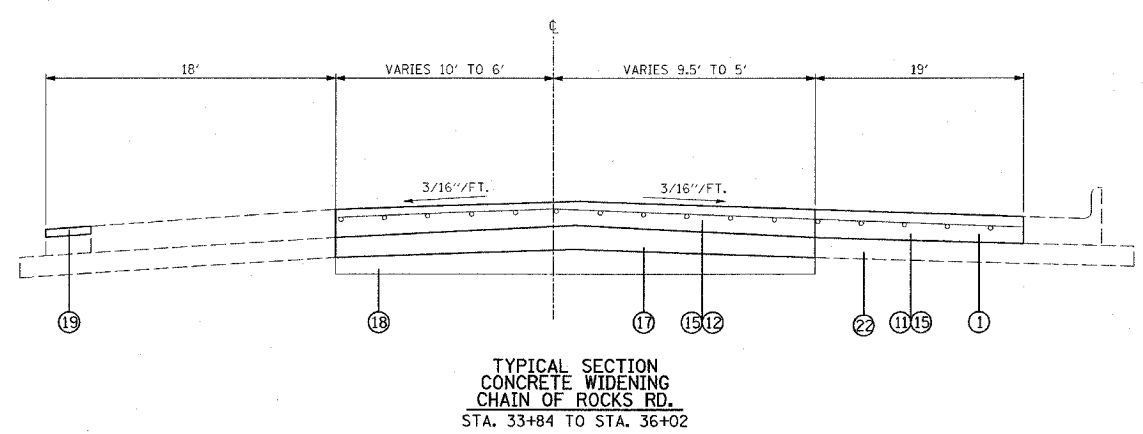
DETAIL "B"
 STA. 30+40 TO STA. 31+19
 STA. 31+89 TO STA. 32+85
 *REMOVE ALL EXISTING HOT MIX ASPHALT MATERIAL



DETAIL "C"
 STA. 31+69 TO 31+89
 **MONOLITHIC POUR WITH PATCH.



DETAIL "D"
 STA. 31+19 TO 31+69
 STA. 32+85 TO 33+85



- LEGEND**
- ① EXISTING PCC PAVEMENT
 - ② EXISTING TYPE B-6.24 COMB. CURB & GUTTER.
 - ③ EXISTING HMA SHOULDERS
 - ④ EXISTING HMA SURFACE COURSE
 - ⑤ PROPOSED HMA MATERIALS (PRIME COAT)
 - ⑥ PROPOSED AGGREGATE PRIME COAT
 - ⑦ PROPOSED HMA SURFACE REMOVAL, 4 1/2"
 - ⑧ PROPOSED POLYMERIZED HMA SURFACE COURSE, STONE MATRIX ASPHALT, N80, 4 1/2" INSTALLED IN 2 EQUAL THICKNESS LIFTS.
 - ⑨ PROPOSED PAVEMENT MARKING LINE, 4"
 - ⑩ PROPOSED CLASS B PATCH, TYPE IV, 9" *
 - ⑪ PROPOSED CLASS B PATCH, TYPE IV, 10"*
 - ⑫ PROPOSED CLASS B PATCH, TYPE IV, (24")*
-SEE SPECIAL PROVISIONS-
 - ⑬ SAW CUT.
 - ⑭ SAW CUT. 4 1/2"
 - ⑮ PROPOSED PAVEMENT REINFORCEMENT-FABRIC PER STANDARD 420701
 - ⑯ PROPOSED CURB & GUTTER FLAG EXTENSION REMOVAL INCIDENTAL TO CLASS B PATCH AREA
 - ⑰ PROPOSED AGGREGATE BASE COURSE TYPE A, 14"
 - ⑱ PROPOSED COMPACTED SUBGRADE, INCLUDED IN COST OF AGGREGATE BASE COURSE TYPE A, 14"
 - ⑲ PROPOSED AGGREGATE SHOULDERS, TYPE B
 - ⑳ PROPOSED HMA SURFACE REMOVAL, INCLUDED IN COST OF CLASS B PATCHING, TYPE IV
 - ㉑ PROPOSED C&G FLAGG RESURFACING HMA SURFACE COURSE, MIX "D" N90
 - ㉒ EXISTING AGGREGATE BASE COURSE TYPE A, 14"
* PAVEMENT CONSTRUCTED AND JOINTED AS PER STD'S 420001, 420101 AND 442101.

REVISIONS	
NAME	DATE

ILLINOIS DEPARTMENT OF TRANSPORTATION
TYPICAL SECTIONS
 FAP ROUTE 582
 SECTION 6-3I
 MADISON COUNTY
 DRAWN BY:
 PLOT DATE: 5/4/2007

PLAN	SUBMITTED	DATE
NOTE BOOK	PLotted	
NO.	BY	
	CHECKED	
	BY	
	DATE	
	FILE NAME	

5/4/2007
 5/4/2007
 REF:
 REF: