

| F.A.P. RTE.               | SECTION | COUNTY                    | TOTAL SHEETS | SHEET NO. |
|---------------------------|---------|---------------------------|--------------|-----------|
| 582                       | 6-3I    | MADISON                   | 18           | 11        |
| STA. _____                |         | TO STA. _____             |              |           |
| FED. ROAD DIST. NO. _____ |         | ILLINOIS FED. AID PROJECT |              |           |

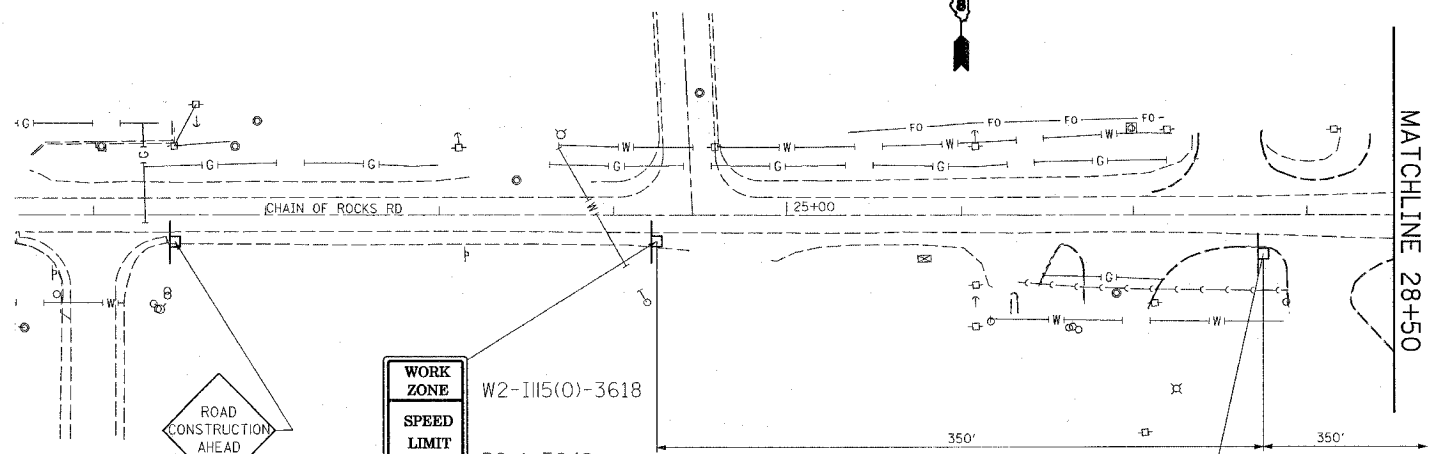


END  
CONSTRUCTION

G20-2a(0)-6024

END  
WORK ZONE  
SPEED LIMIT

G20-1103(0)-3660



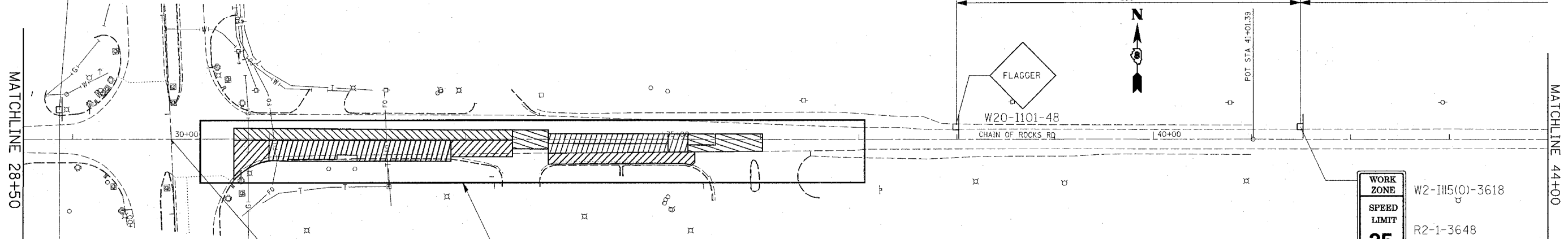
WORK ZONE  
SPEED LIMIT  
**35**  
BEGINS  
XXXX FINE MINIMUM

W2-1115(0)-3618  
R2-1-3648  
W2-1113(0)-3612  
R2-1106-3618

ROAD CONSTRUCTION AHEAD  
W20-1(0)-48

FLAGGER  
W20-1101-48

MATCHLINE 28+50



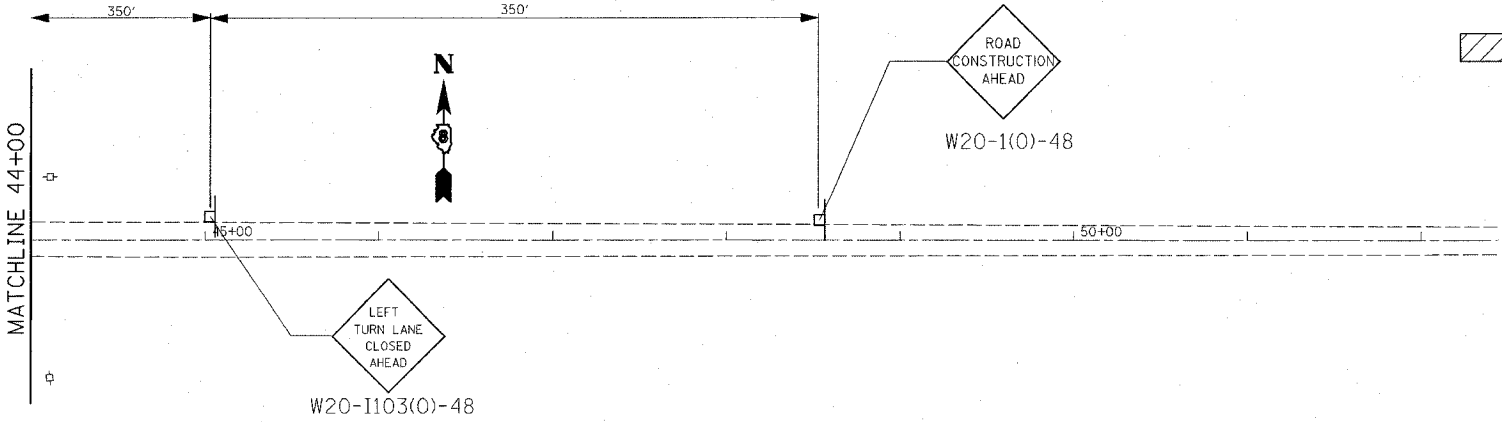
REFER TO SHEET 17 + 18  
FOR ADDITIONAL TRAFFIC  
CONTROL SETUP FOR  
STAGE 1 & 5 CONSTRUCTION

WORK ZONE  
SPEED LIMIT  
**35**  
BEGINS  
XXXX FINE MINIMUM

W2-1115(0)-3618  
R2-1-3648  
W2-1113(0)-3612  
R2-1106-3618

SYMBOLS

- ↑ ARROW BOARD
- ▨ WORK AREA
- BARRICADE OR DRUM WITH STEADY BURNING MONDIRECTIONAL LIGHT
- I BARRICADE OR DRUM WITHOUT FLASHING LIGHT
- FLAGGER WITH TRAFFIC CONTROL SIGN
- CONE, DRUM OR BARRICADE (CONES FOR DAYTIME USE ONLY)
- ▭ SIGN ON PORTABLE OR PERMANENT SUPPORT



LEFT TURN LANE CLOSED AHEAD  
W20-1103(0)-48

| REVISIONS |      |
|-----------|------|
| NAME      | DATE |
|           |      |
|           |      |
|           |      |
|           |      |
|           |      |
|           |      |
|           |      |
|           |      |
|           |      |
|           |      |

ILLINOIS DEPARTMENT OF TRANSPORTATION  
**TRAFFIC CONTROL**

FAP ROUTE 582  
SECTION 6-3I  
MADISON COUNTY

SCALE: VERT. \_\_\_\_\_  
HORIZ. \_\_\_\_\_  
DATE \_\_\_\_\_

DRAWN BY \_\_\_\_\_  
CHECKED BY \_\_\_\_\_

PLOT DATE = 1/18/2007  
FILE NAME = C:\Users\jrd\Documents\76B02\76B02-11.dgn  
PLOT SCALE = 50.0000 / 1" = 100.0000'  
REFERENCE = #REF#