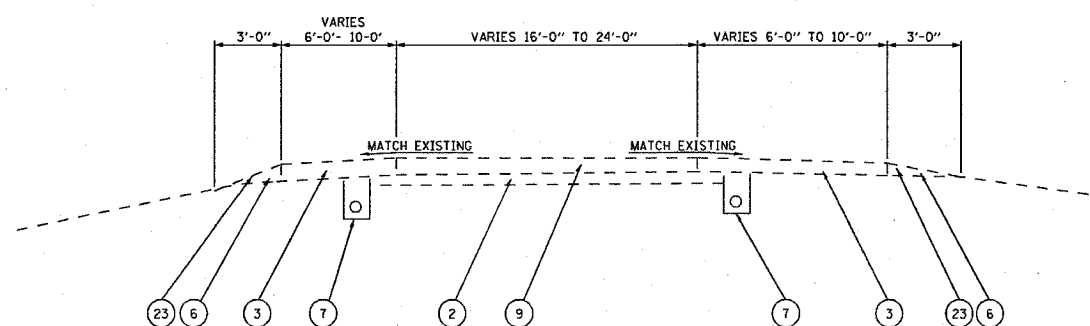
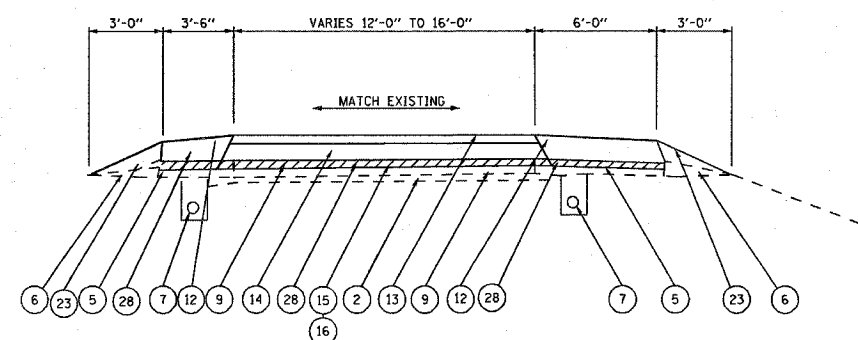


F.A.I. RTE.	SECTION	COUNTY	TOTAL SHEETS	SHEET NO.
*	**	MADISON	37	8
STA.		TO STA.		
FED. ROAD DIST. NO.		ILLINOIS FED. AID PROJECT		
*-255-55/70				
**-(60-7, 60-9)RS AND 60-(6-1,7-1)RS				



LOCATION #2
TYPICAL SECTION - RAMPS 1 & 7
STA. 148+04 TO STA. 179+64 (RAMP 1)
STA. 703+19 TO 722+55 (RAMP 7)



LOCATION #2
TYPICAL SECTION - RAMP 3
STA. 340+48 TO STA. 366+35

LEGEND

- ① EXISTING CRPCC PAVEMENT - 10"
- ② EXISTING STABILIZED SUB-BASE - 4"
- ③ EXISTING HOT- MIX ASPHALT SHOULDERS - 9"
- ④ EXISTING HOT- MIX ASPHALT SHOULDERS - 10"
- ⑤ EXISTING HOT- MIX ASPHALT SHOULDERS - 11"
- ⑥ EXISTING AGGREGATE SHOULDERS, TYPE B
- ⑦ EXISTING PIPE UNDERDRAINS
- ⑧ EXISTING BITUMINOUS CURB
- ⑨ EXISTING JRPC PAVEMENT - 11"
- ⑩ EXISTING TYPE A GUTTER
- ⑪ EXISTING HOT- MIX ASPHALT CONCRETE - 3"
- ⑫ PROPOSED HOT- MIX ASPHALT SHOULDERS - 3 3/4"
- ⑬ PROPOSED POLYMERIZED BCBC SUPER "E" N70 - 1 1/2"
- ⑭ PROPOSED POLYMERIZED BCBC SUPER IL19.0 N70 - 2 1/4"
- ⑮ PROPOSED POLYMERIZED BITUMINOUS MATERIALS - PRIME COAT
- ⑯ PROPOSED AGGREGATE PRIME COAT
- ⑰ EMBANKMENT
- ⑱ SUB-GRADE
- ⑲ STABILIZED SUB-BASE 4"
- ⑳ PCC PAVEMENT 10"
- ㉑ HOT- MIX ASPHALT SHOULDERS 10"
- ㉒ AGGREGATE SHOULDERS TYPE B
- ㉓ PROPOSED AGGREGATE SHOULDERS TYPE B
- ㉔ PCC SURFACE REM (CM) - 1/2"
- ㉕ PCC SURFACE REM (CM) - 2"
- ㉖ HOT MIX ASPHALT SURFACE REMOVAL - 2"
- ㉗ PROPOSED HOT-MIX ASPHALT SHOULDERS - 2"
- ㉘ HOT-MIX ASPHALT SURFACE REMOVAL - 1/2"

PLOT DATE • 6/11/2007
 PLOT SCALE • 1" = 10'-0"
 REFERENCE • SHEET 8

REVISIONS	
NAME	DATE

LOCATION #2
ILLINOIS DEPARTMENT OF TRANSPORTATION
TYPICAL SECTIONS
LOCATION #2
FAI 255, FAI 55/70
SECTION (60-7, 60-9)RS &
60-(6-1,7-1)RS
MADISON COUNTY
SCALE: VERT. DRAWN BY
 HORIZ. CHECKED BY
DATE