

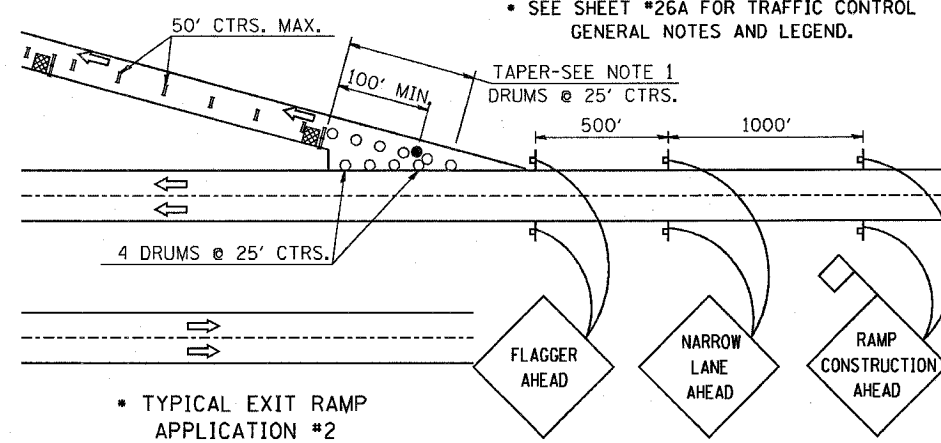
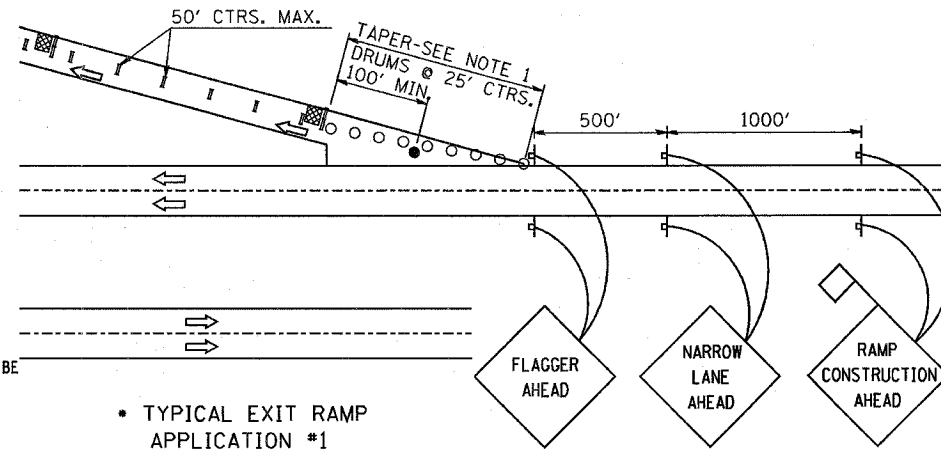
F.A.I. RTE.	SECTION	COUNTY	TOTAL SHEETS	SHEET NO.
•	**	MADISON	37	34

STA.	TO STA.
FED. ROAD DIST. NO.	ILLINOIS FED. AID PROJECT

•-255-55/70
 ••(60-7, 60-9)RS AND 60-16-1,7-1)RS

STAGE CONSTRUCTION AND TRAFFIC CONTROL NOTES

1. TRAFFIC CONTROL & PROTECTION, (SPECIAL) WILL BE USED FOR KEEPING RAMPS OPEN TO TRAFFIC WHILE PATCHING ON RAMPS, AND FOR SHOULDER REPAIR STA. 478+50 TO STA. 475+80.
2. TRAFFIC CONTROL & PROTECTION, STANDARD 701406 WILL BE IN PLACE DURING ALL INSTALLATIONS. IF CONTRACTOR CHOOSES TO CONDUCT NIGHT OPERATIONS, HE SHALL USE STANDARD 701401 AT NO EXTRA COST.
3. TRAFFIC CONTROL & PROTECTION, STD. 701411 PAYS FOR RAMP ACCESS AS AN EACH ITEM. EACH RAMP WILL BE PAID FOR ONCE AND NO OTHER COMPENSATION WILL BE GIVEN.
4. THE PREFERRED SEQUENCE OF CONSTRUCTION FOR FAI-70 WILL BE AS FOLLOWS: FULL DEPTH SHOULDER REPAIR STA. 478+50 TO STA. 475+80 SURFACE REMOVAL, PATCH, AND RESURFACE.
5. FOUR CHANGEABLE MESSAGE SIGNS SHALL BE REQUIRED FOR THIS PROJECT. THESE SIGNS WILL BE PLACED AS DIRECTED BY THE ENGINEER, AND MAY REQUIRE RELOCATION THROUGHOUT THE COURSE OF THE PROJECT. THESE SIGNS WILL BE PAID AT THE CONTRACT UNIT PRICE PER CALENDAR MONTH FOR CHANGEABLE MESSAGE SIGNS WHICH PRICE SHALL INCLUDE RELOCATION OF THE SIGNS AS NECESSARY. MESSAGE BOARDS SHALL BE PACED 2 WEEKS PRIOR TO BEGINNING OF WORK.
6. ALL TRAFFIC CONTROL ON THIS PROJECT SHALL BE PAID FOR AS TRAFFIC CONTROL & PROTECTION (SPECIAL), TRAFFIC CONTROL & PROTECTION, STD. 701411, TRAFFIC CONTROL & PROTECTION, STD. 701401, TRAFFIC CONTROL & PROTECTION, STD. 701406 OR CHANGEABLE MESSAGE SIGN AND NO OTHER COMPENSATION WILL BE PERMITTED.
7. CONTRACTOR SHALL FOLLOW LANE CLOSURE RESTRICTIONS FOR PEAK HOURS AT OUTLINED IN SPECIAL PROVISIONS.



• SEE SHEET #26A FOR TRAFFIC CONTROL GENERAL NOTES AND LEGEND.

PLOT DATE = 8/1/2007
 PLOT SCALE = 1/8" = 1'-0"
 USER NAME = aifordb

REVISIONS	
NAME	DATE

ILLINOIS DEPARTMENT OF TRANSPORTATION
TRAFFIC CONTROL
 FAI 255, FAI 55/70
 SECTION (60-7, 60-9)RS &
 60-16-1,7-1)RS
 MADISON COUNTY
 SCALE: VERT. DRAWN BY
 HORIZ. CHECKED BY
 DATE