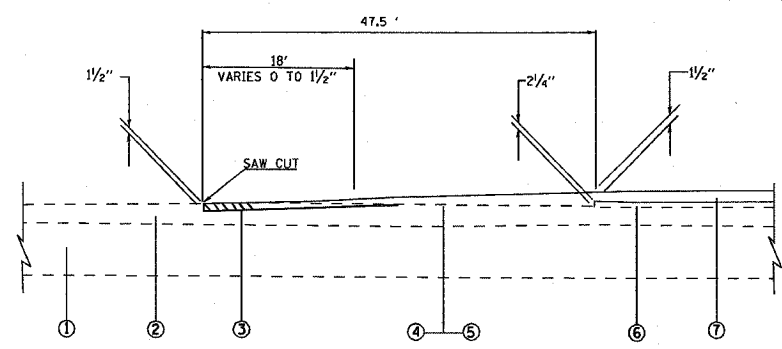
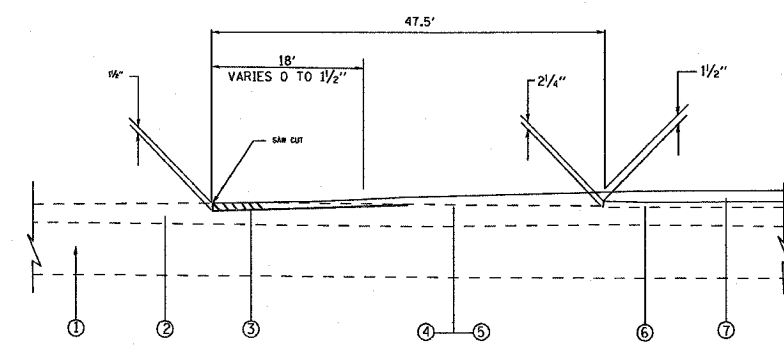


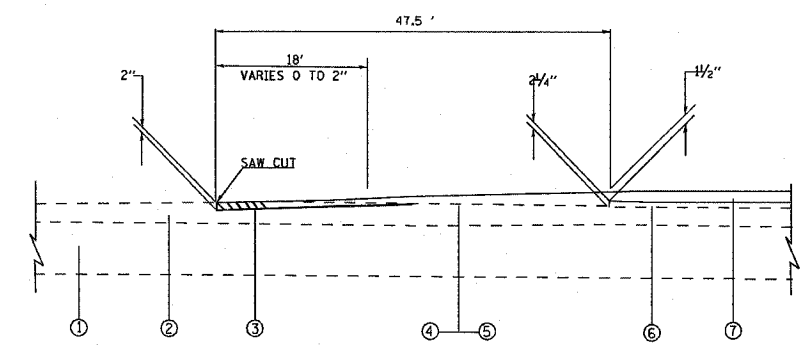
F.A.I. RTE.	SECTION	COUNTY	TOTAL SHEETS	SHEET NO.
•	••	MADISON	37	37
STA. TO STA.				
FED. ROAD DIST. NO. ILLINOIS FED. AID PROJECT				
•-255-55/70				
••(60-7, 60-9)RS AND 60-16-1,7-1)RS				



BUTT JOINT DETAIL
(CONCRETE)
STA. 101+70 TO STA. 102+17



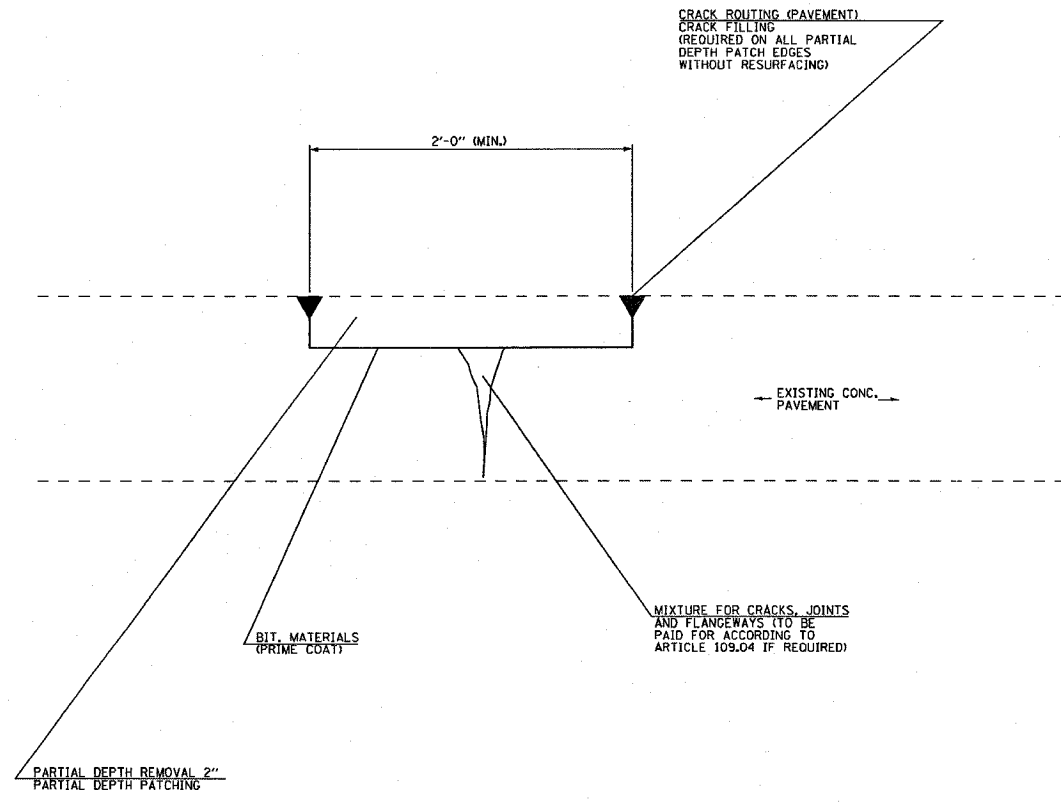
BUTT JOINT DETAIL
(HOT MIX ASPHALT)
STA. 161+40 TO STA. 161+87



BUTT JOINT DETAIL
PAVEMENT TRANSITION DETAIL
STA. 232+26.55 TO STA. 232+74.05

LEGEND

1. EXISTING PAVEMENT
2. EXISTING PCC PAVEMENT
3. PROPOSED PCC SURFACE REMOVAL - BUTT JOINT
4. PROPOSED BITUMINOUS MATERIALS (PRIME COAT)
5. PROPOSED AGGREGATE (PRIME COAT)
6. PROPOSED POLYMERIZED BCSC SUPER II 19.0 N70 - 2 1/4"
7. PROPOSED POLYMERIZED BCSC SUPER "E" N70 - 1 1/2"



PARTIAL DEPTH PATCHING DETAIL

PLOT DATE = 8/11/2007
 FILE NAME = c:\projects\76b15\76b15.dwg
 PLOT SCALE = 0.80000 / IN.
 USER NAME = dforab

REVISIONS	
NAME	DATE

ILLINOIS DEPARTMENT OF TRANSPORTATION
**BUTT JOINT DETAILS AND
 PARTIAL DEPTH PATCHING DETAIL**
 FAI 255, FAI 55/70
 SECTION (60-7, 60-9)RS &
 60-(6-1,7-1)RS
 MADISON COUNTY
 SCALE: VERT. DRAWN BY
 HORIZ. CHECKED BY
 DATE