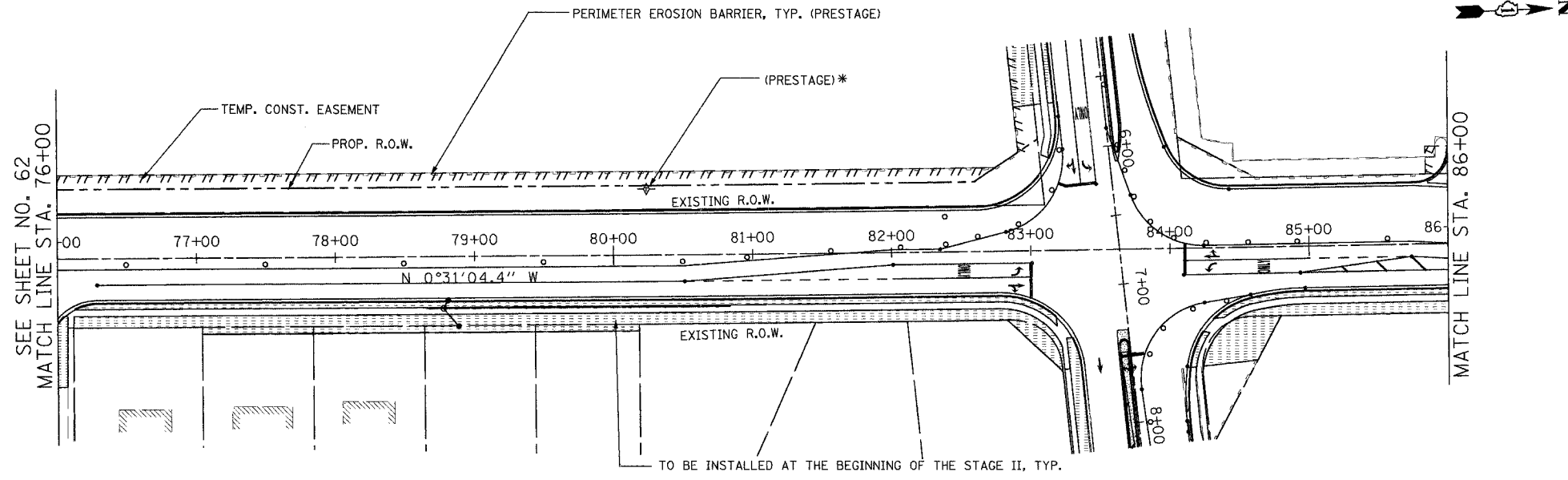
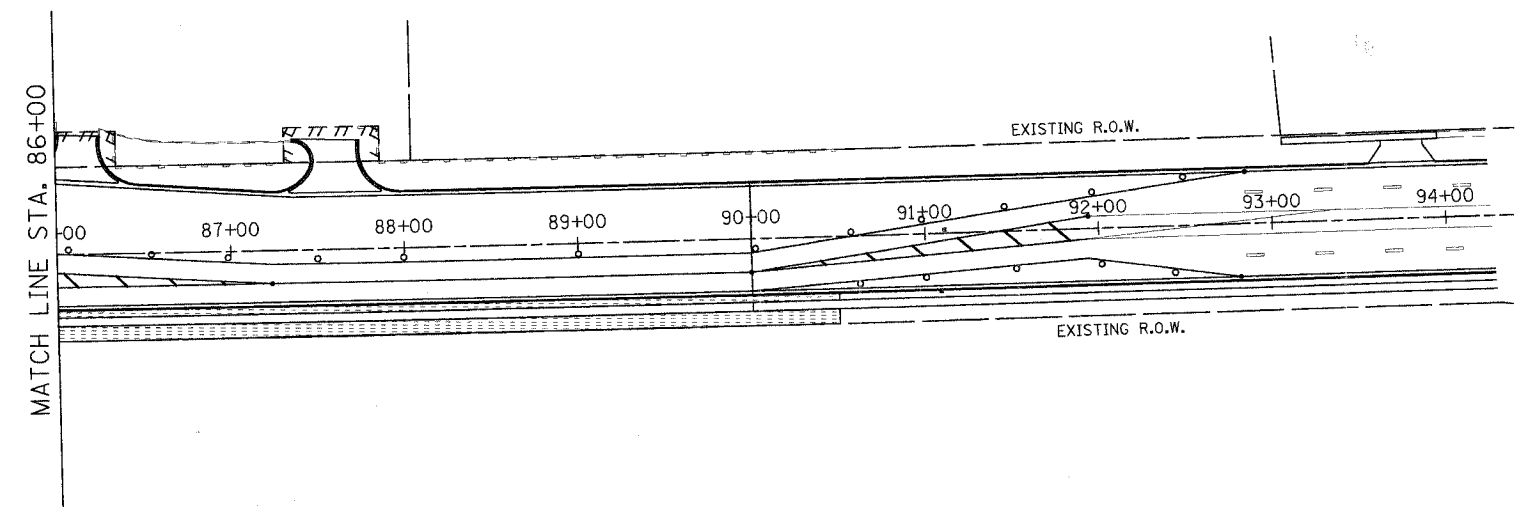


CONTRACT NO. 83737

F.A.J. RTE.	SECTION	COUNTY	TOTAL SHEETS	SHEET NO.
2509	96-00094-01-WR	KANE	187	63
STA.		TO STA.		
FED. ROAD DIST. NO.		ILLINOIS FED. AID PROJECT		



* MAINTAIN THE PROTECTION AS DIRECTED BY THE ENGINEER UNTIL THE REMOVAL IS NECESSARY.



- NOTES:
1. THE RESIDENT ENGINEER SHALL HAVE THE FINAL DETERMINATION OF THE PLACEMENT AND LOCATION OF THE PERIMETER EROSION BARRIER
 2. SEE SUGGESTED MAINTENANCE OF TRAFFIC PLANS FOR ADDITIONAL INFORMATION REGARDING THE SEQUENCE OF CONSTRUCTION.
 3. NOT ALL DRAINAGE STRUCTURES ARE SHOWN. SEE DRAINAGE PLANS FOR ADDITIONAL INFORMATION.
 4. FLARED END SECTIONS FOR THE TEMPORARY PIPE CULVERTS ARE OMITTED INTENTIONALLY.
 5. MAINTAIN THE PROTECTION MEASURES FROM THE PREVIOUS STAGE UNTIL THE REMOVAL IS ABSOLUTELY NECESSARY.

FOR EROSION CONTROL PLAN LEGEND, SEE SHEET NO 51.

REVISIONS	
NAME	DATE

URS 100 SOUTH WACKER DRIVE
SUITE 500 TEL (312) 939-1000
CHICAGO, IL 60606 FAX (312) 939-4198

McLEAN BOULEVARD

EROSION CONTROL PLANS
STAGE II

SCALE: DRAWN BY MIA
DATE 04/06/2007 CHECKED BY MHL