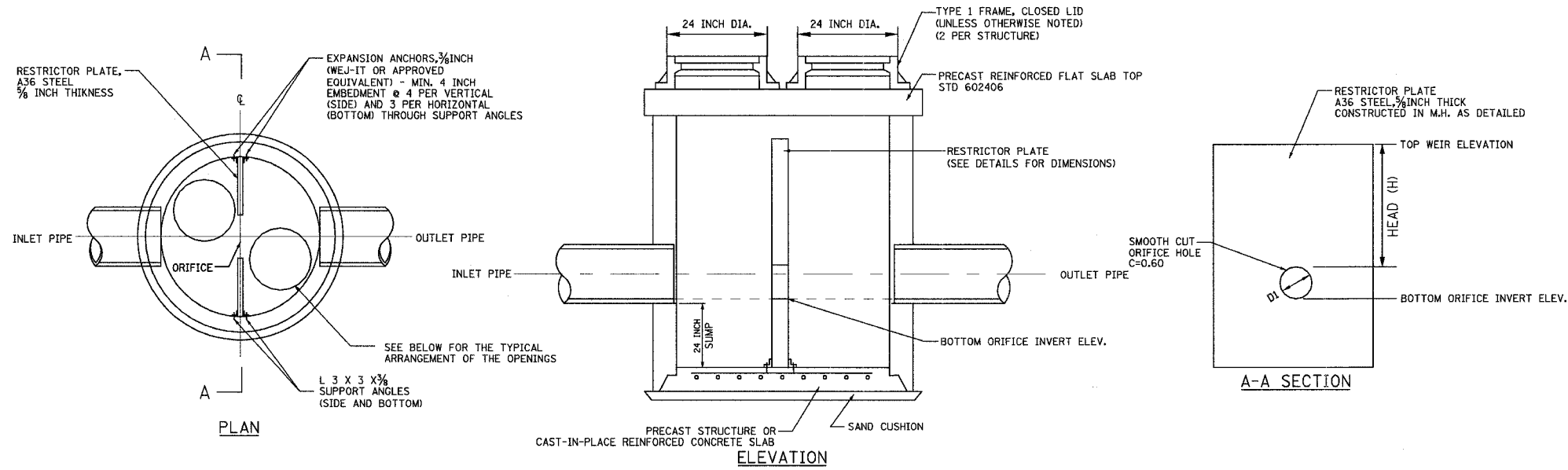


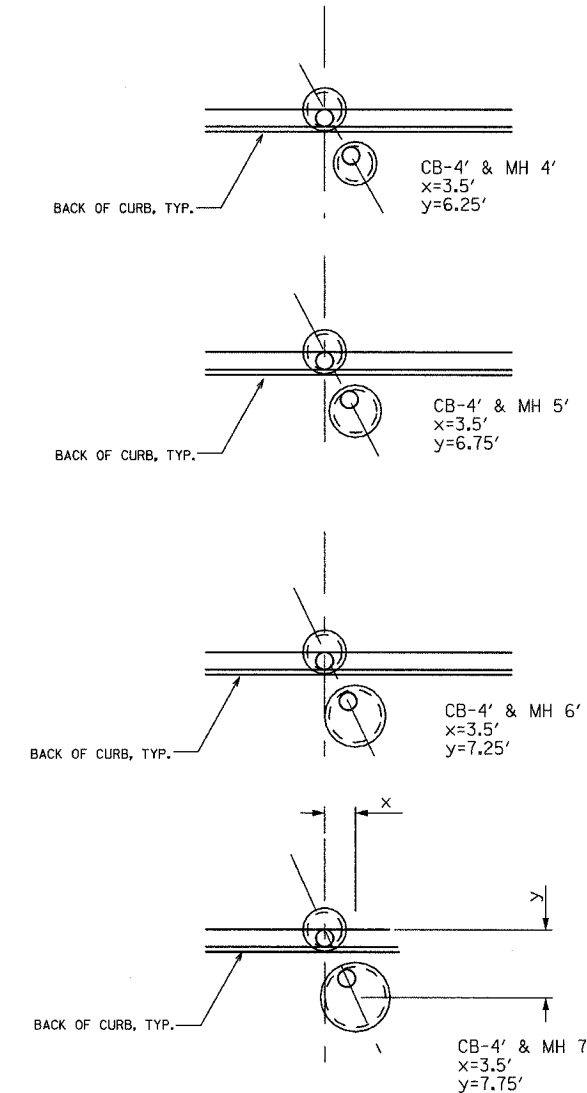
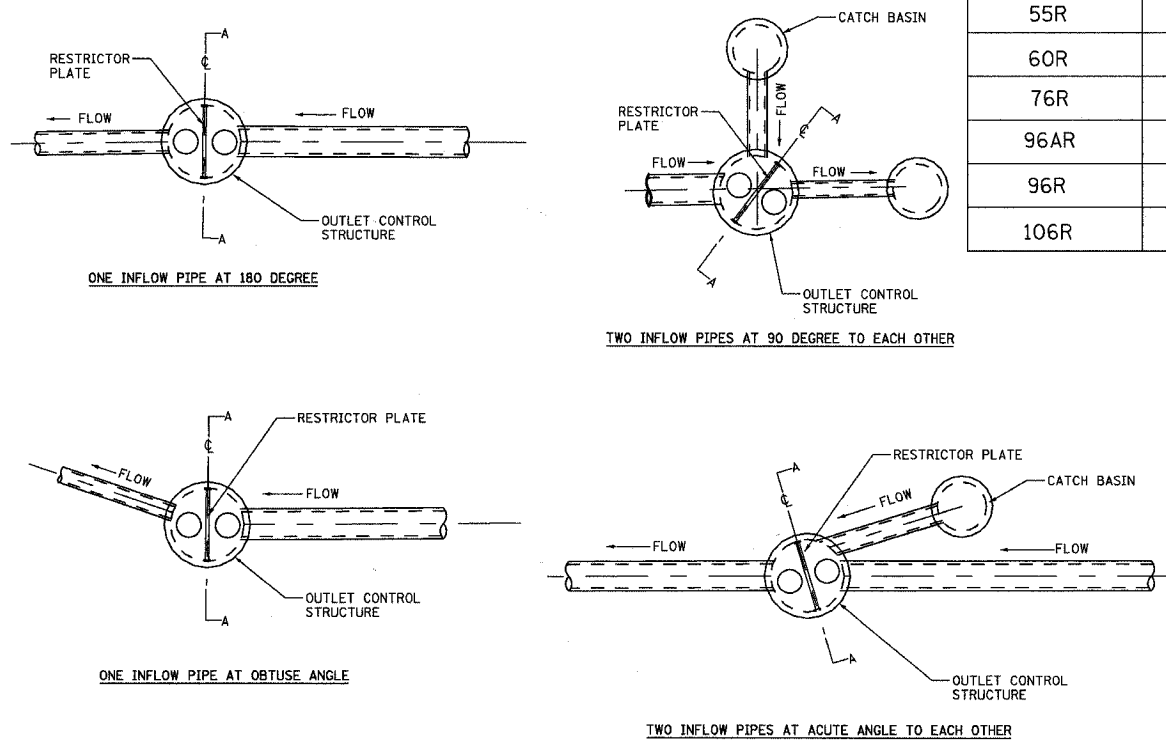
CONTRACT NO. 83737				
F.A.U. RTE.	SECTION	COUNTY	TOTAL SHEETS	SHEET NO.
2509	96-00094-01-WR	KANE	187	103
STA.		TO STA.		
FED. ROAD DIST. NO.		ILLINOIS FED. AID PROJECT		



RESTRICTOR PLATE DETAIL

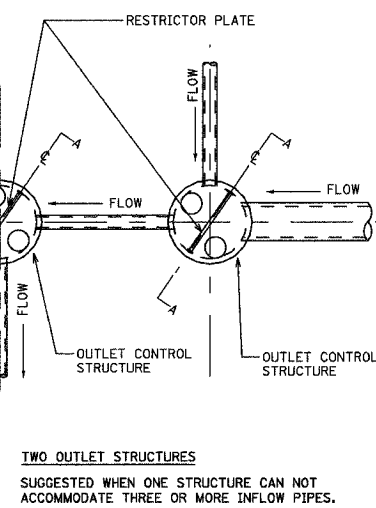
RESTRICTOR NO.	STRUCTURE DIAMETER (FT)	ORIFICE DIAMETER (INCH)	ORIFICE INVERT	HEAD (FT)	TOP OF WEIR ELEVATION	RIM ELEVATION
24R	7.0	6.75	797.79	5.77	804.12	816.18
36R	7.0	5.50	804.61	3.68	808.75	811.13
55R	6.0	14.50	798.62	2.65	802.48	805.70
60R	6.0	14.50	798.65	2.65	802.51	805.70
76R	7.0	8.25	803.65	3.03	806.83	808.50
96AR	6.0	5.75	805.31	3.24	808.83	810.50
96R	6.0	5.75	805.29	3.24	808.83	810.50
106R	6.0	6.25	816.80	2.43	819.75	824.50

TYPICAL RESTRICTOR PLATE AND OPENING ARRANGEMENTS



TYPICAL CB AND MH RELATIVE LOCATIONS

(ACTUAL LOCATIONS MAY VARY. SEE DRAINAGE PLAN SHEETS)



REVISIONS	
NAME	DATE

URS 100 SOUTH WACKER DRIVE SUITE 500 CHICAGO, IL 60606 TEL (312) 939-1000 FAX (312) 939-4198

McLEAN BOULEVARD

CONSTRUCTION DETAILS RESTRICTOR

SCALE: DATE 04/06/2007 DRAWN BY CHECKED BY