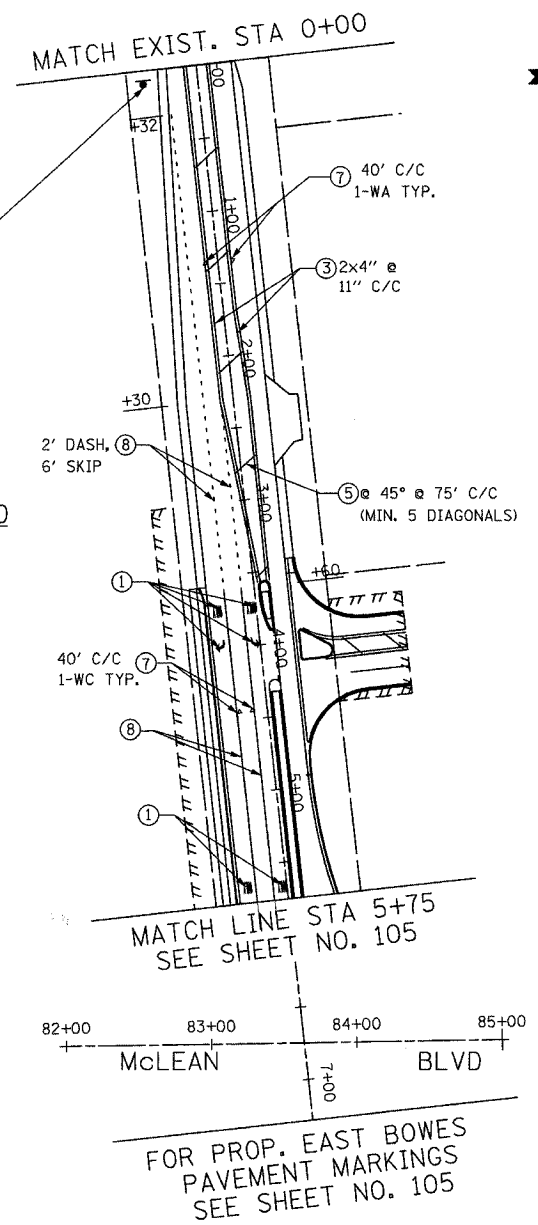
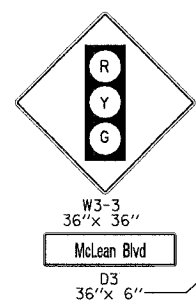
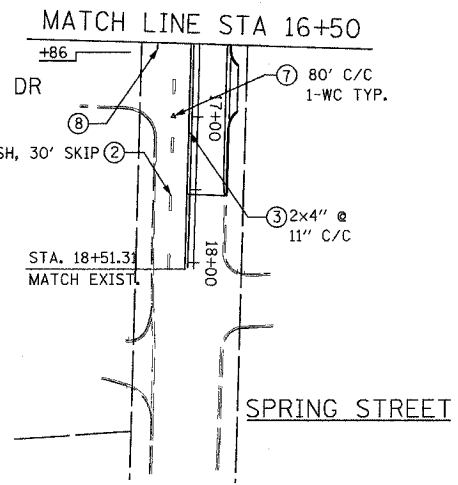
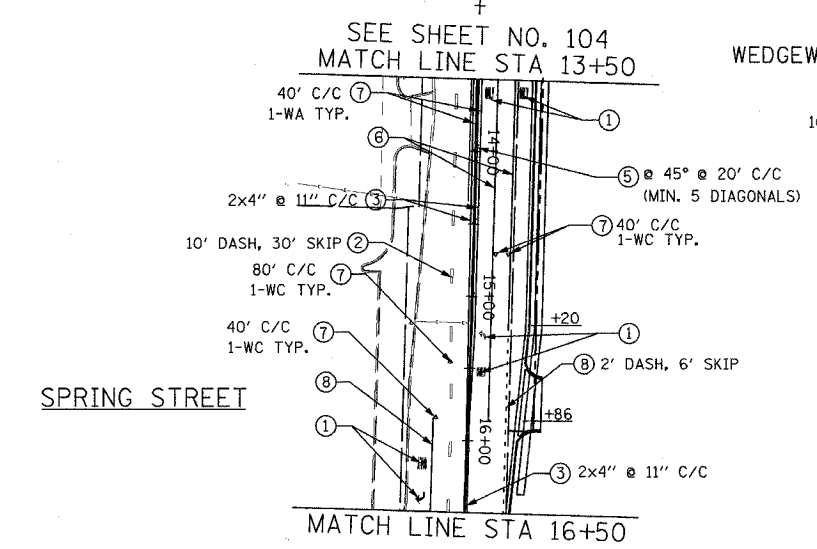
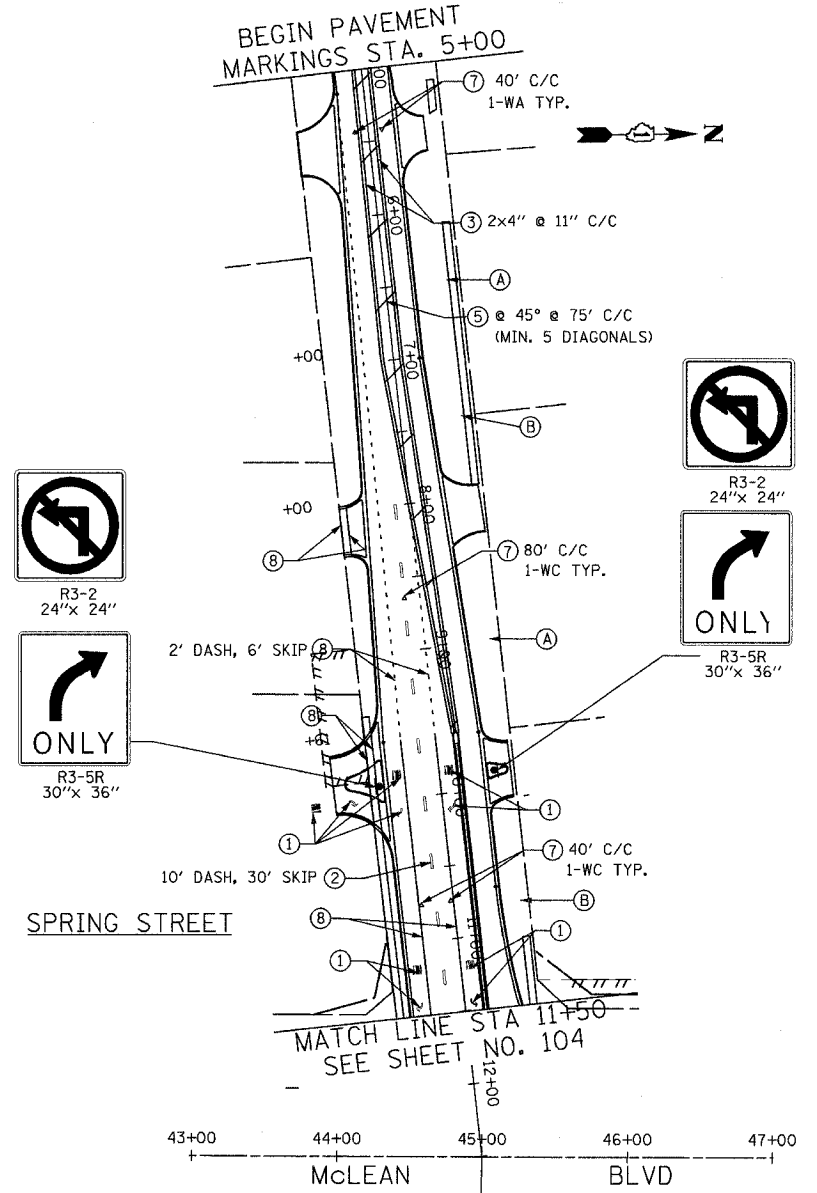


CONTRACT NO. 83737				
F.A.U. RTE.	SECTION	COUNTY	TOTAL SHEETS	SHEET NO.
2509	96-00094-01-WR	KANE	187	106
STA.		TO STA.		
FED. ROAD DIST. NO.		ILLINOIS FED. AID PROJECT		



- LEGEND**
- ① POLYUREA PAVEMENT MARKING LETTERS AND SYMBOLS
 - ② POLYUREA PAVEMENT MARKING-LINE 4" (WHITE)
 - ③ POLYUREA PAVEMENT MARKING-LINE 4" (YELLOW)
 - ④ POLYUREA PAVEMENT MARKING-LINE 12" (WHITE)
 - ⑤ POLYUREA PAVEMENT MARKING-LINE 12" (YELLOW)
 - ⑥ POLYUREA PAVEMENT MARKING-LINE 24" (WHITE)
 - ⑦ RAISED REFLECTIVE PAVEMENT MARKERS, ONE WAY CRISTAL MARKER
 - ⑧ POLYUREA PAVEMENT MARKING-LINE 6" (WHITE)
 - Ⓐ AUTUMN BLAZE MAPLE
 - Ⓑ KENTUCKY COFFEE TREE

REVISIONS	
NAME	DATE

URS 100 SOUTH WACKER DRIVE
SUITE 500 CHICAGO, IL 60606 TEL (312) 939-1000 FAX (312) 939-4198

McLEAN BOULEVARD

PAVEMENT MARKING, LANDSCAPING AND SIGNING

SCALE: DATE 04/06/2007 DRAWN BY CHECKED BY

NOTE:
ACTUAL LOCATION OF SIGNS ARE TO BE DETERMINED IN THE FIELD DURING CONSTRUCTION AND AS DIRECTED BY THE ENGINEER.