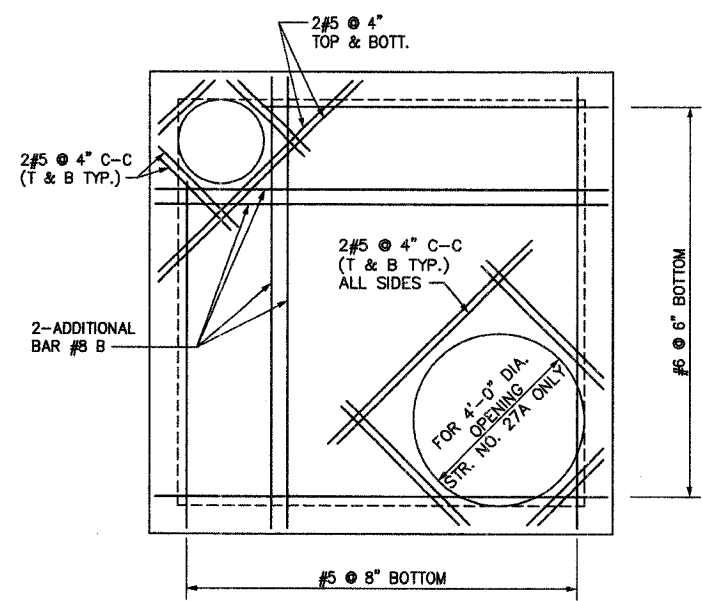
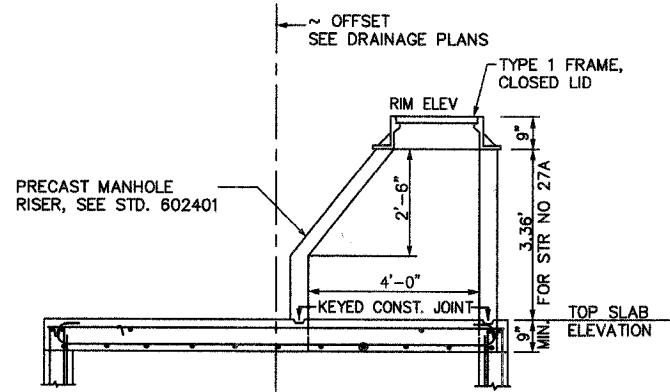


PLAN  
\*\*ADD 1'-0" FOR STRUCTURE NO. 25

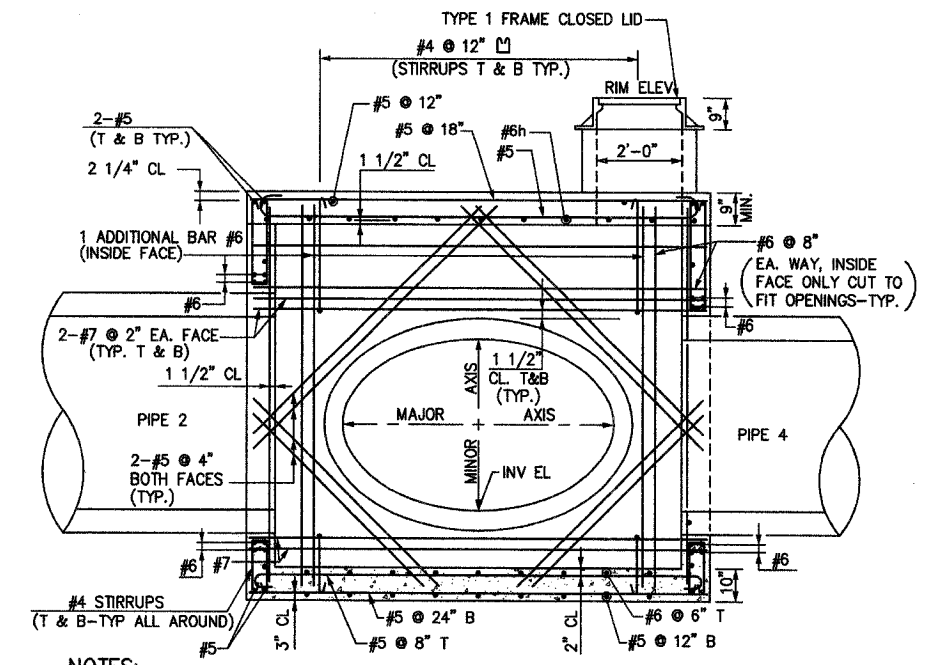
- NOTES:
1. THE CONTRACTOR SHALL FURNISH AND INSTALL CAST IRON STEPS IN ACCORDANCE W/ STANDARD 602701 @ 12"-16" CENTERS.
  2. THE CONTRACTOR SHALL FURNISH SHOP DRAWINGS IN ACCORDANCE WITH ARTICLE 105.04 OF THE STANDARD SPECIFICATIONS.
  3. THE CONTRACTOR SHALL REFER TO DRAINAGE PLANS FOR LOCATION OF MANHOLE RIM OPENING.



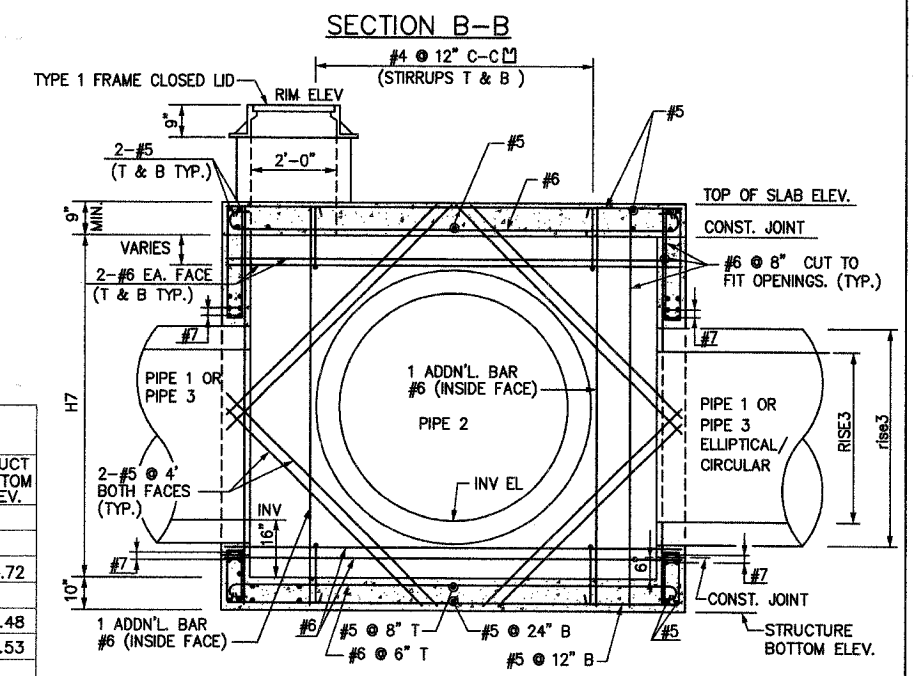
PLAN OF TOP SLAB (SHOWING REINFORCEMENT)



SEE SECTION B-B FOR REINFORCEMENT



- NOTES:
1. TOP REINFORCEMENT OF ROOF SLAB SHALL BE PROVIDED FOR ALL STRUCTURES.
  2. TOP & BOTTOM REINFORCEMENT OF ROOF SLAB SHALL BE EPOXY COATED FOR ALL STRUCTURES.



SECTION A-A  
BASIS OF PAYMENT:  
TO BE PAID FOR AT THE CONTRACT UNIT PRICE PER EACH FOR JUNCTION CHAMBER NO. 1

STRUCTURE DETAILS AND DIMENSIONS

DRAWING NO.	STR. NO.	LOCATION	PIPE 1 - ELLIPTICAL/CIRCULAR				PIPE 2		PIPE 3 - ELLIPTICAL/CIRCULAR				PIPE 4		H1	H2	H3	H4	H5	H6	H7	TOP SLAB ELEV.	RIM ELEV.	STRUCT BOTTOM ELEV.				
			span1 /d1	SPAN1 /D1	INVERT	rise1	RISE1	d2	INVERT	D2	span3 /d3	SPAN3 /D3	INVERT	rise3											RISE3	d4	INVERT	D4
DRN1	25	STA 71+62, 40' RT	63"	53"	635.89	44"	34"	33"	635.89	27"	71"	60"	635.89	49"	38"	30"	635.89	24"	20 ?"	13 ?"	16 ?"	15"	10'-0"	6'-4"	5.59	640.89	641.75	633.72
DRN4	19	STA 108+30, 50' LT.	71"	60"	621.65	49"	38"	-	-	-	71"	60"	621.65	49"	38"	-	-	-	16 ?"	-	16 ?"	-	10'-0"	5'-4"	5.47	626.53	628.00	619.48
DRN4	20	STA 109+00, 40' LT.	58"	48"	621.70	-	-	16"	623.00	12"	71"	60"	621.70	49"	38"	-	-	-	23"	16"	16 ?"	-	10'-0"	5'-4"	6.01	627.12	628.11	619.53
DRN7	7	STA 148+20, 6' LT.	80"	68"	650.70	55"	43"	16"	652.20	12"	63"	53"	651.45	44"	34"	16"	652.20	12"	12"	16"	20 ?"	16"	10'-0"	5'-4"	6.21	656.32	657.07	648.53
DRN8	24	STA 152+00, 6' LT	80"	68"	650.79	55"	43"	16"	652.88	12"	80"	68"	650.79	55"	43"	16"	652.88	12"	12"	16"	12"	16"	10'-0"	5'-4"	6.42	656.62	657.65	648.62
DRN8	27	STA 153+75, 6' LT	80"	68"	650.87	55"	43"	16"	653.37	12"	80"	68"	650.87	55"	43"	16"	653.37	12"	12"	16"	12"	16"	10'-0"	5'-4"	6.42	656.70	659.38	648.70
DRN8	27A	STA 156+00, 6' LT	16"	12"	653.58	-	-	-	-	-	80"	68"	650.98	55"	43"	-	-	-	44"	-	12"	-	10'-0"	5'-4"	6.42	656.81	660.92	648.81

WILL COUNTY DEPARTMENT OF HIGHWAYS  
PLAINFIELD-NAPERVILLE ROAD (C.H. 14)  
ROADWAY RECONSTRUCTION  
DRAINAGE DETAILS  
JUNCTION CHAMBER, NO. 1

McDonough Associates Inc. ENGINEERS/ARCHITECTS  
DESIGNED BY: N.J. CHECKED BY: J.T.F. DRAWN BY: J.T.F.  
SCALE: N.T.S.