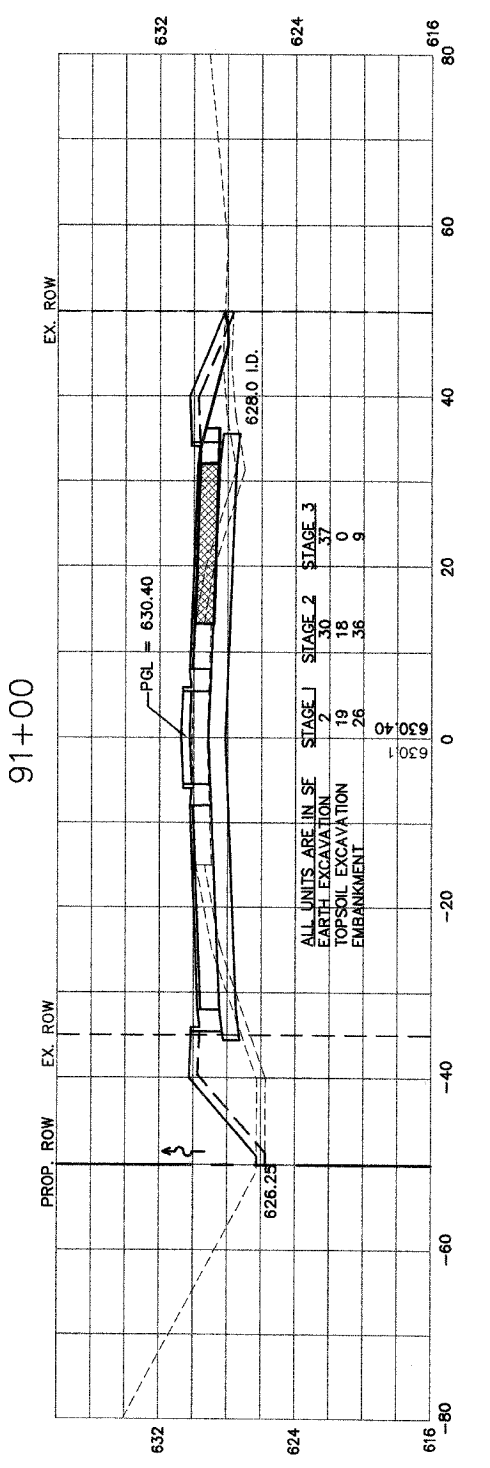
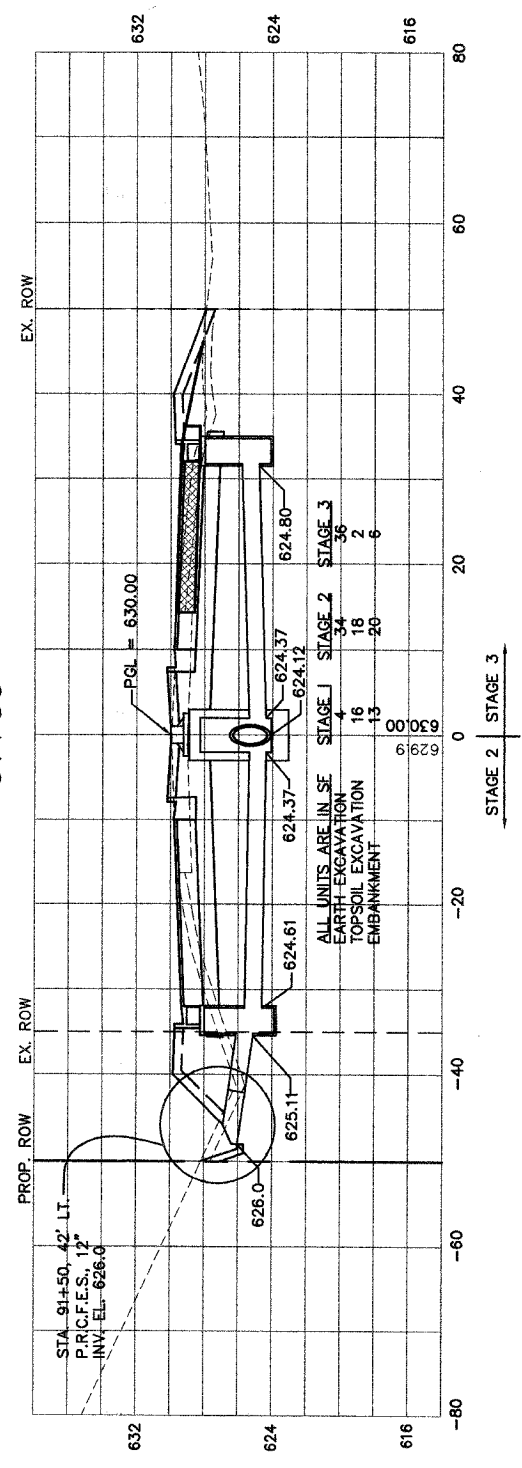
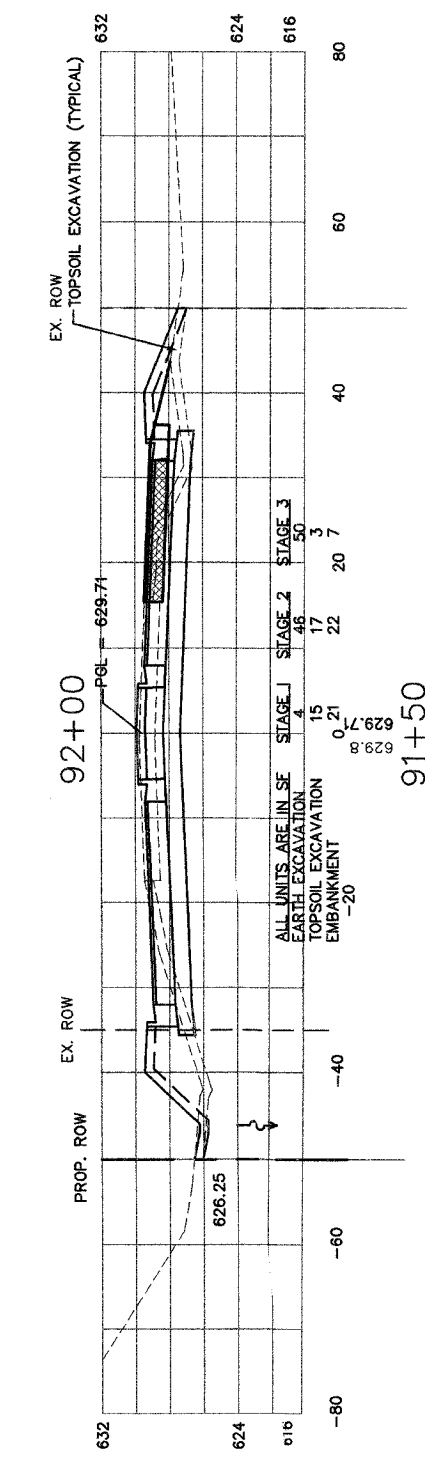
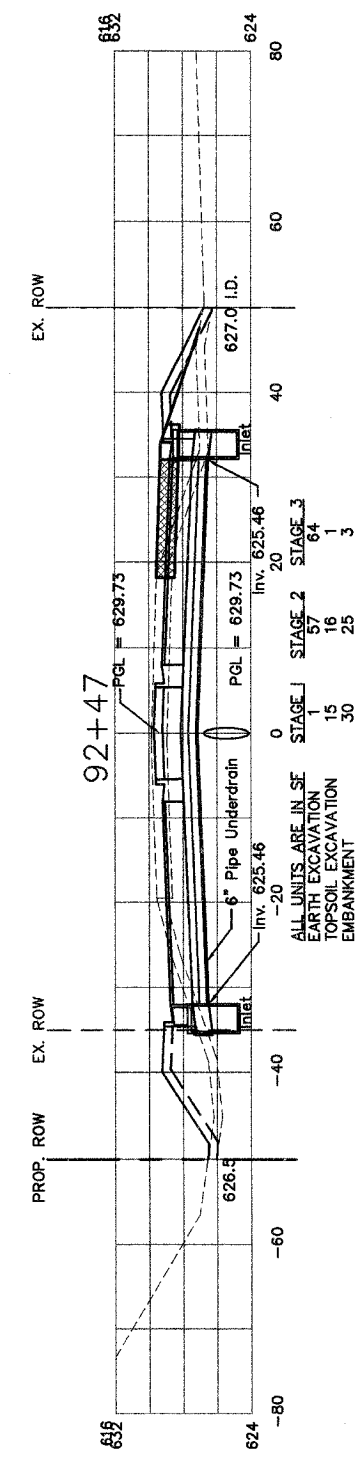
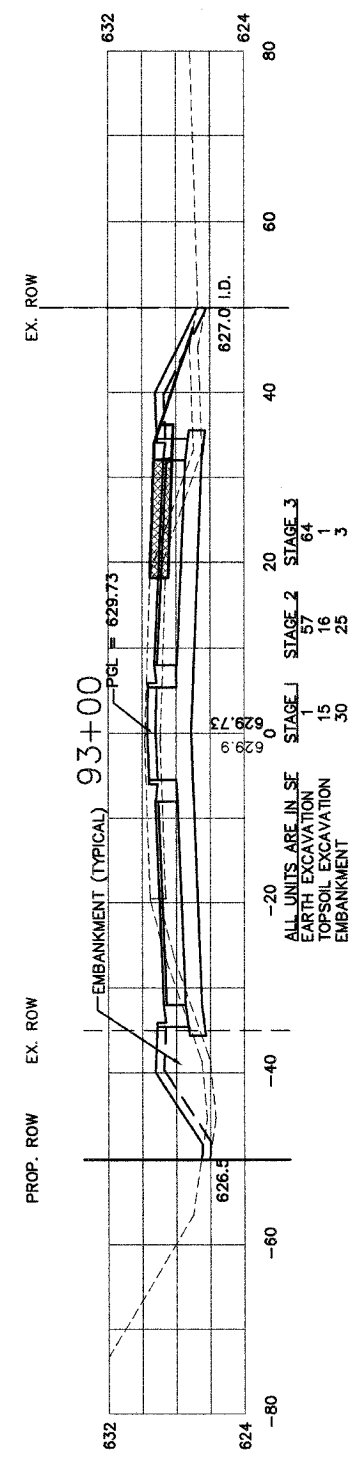
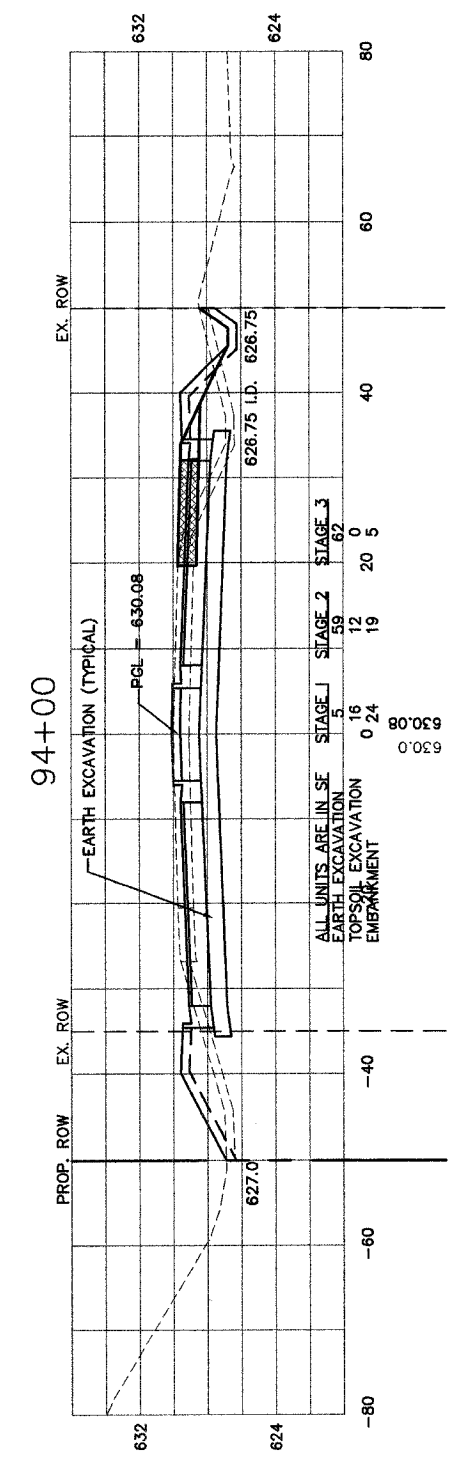


DRAWING ID: G:\20030023 - Plainfield-Naperville Road\dwg\CROSS SECTIONS 1-8.dwg  
 PLOT DATE: 07/08/05 - 15:45



TEMPORARY PAVEMENT  
 ID  
 INTERIM DRAINAGE

NO.	DATE	REVISION	BY

WILL COUNTY DEPARTMENT OF HIGHWAYS  
 PLAINFIELD-NAPERVILLE ROAD (C.H. 14)  
 ROADWAY RECONSTRUCTION  
 CROSS SECTIONS  
 STA 91+00 TO 94+00

McDonough Associates Inc.  
 Engineers/Architects

DESIGNED BY: RJE  
 CHECKED BY: N.J.L.  
 DRAWN BY: RJE

SCALE:  
 HORIZ: 1"=10'  
 VERT: 1"=5'