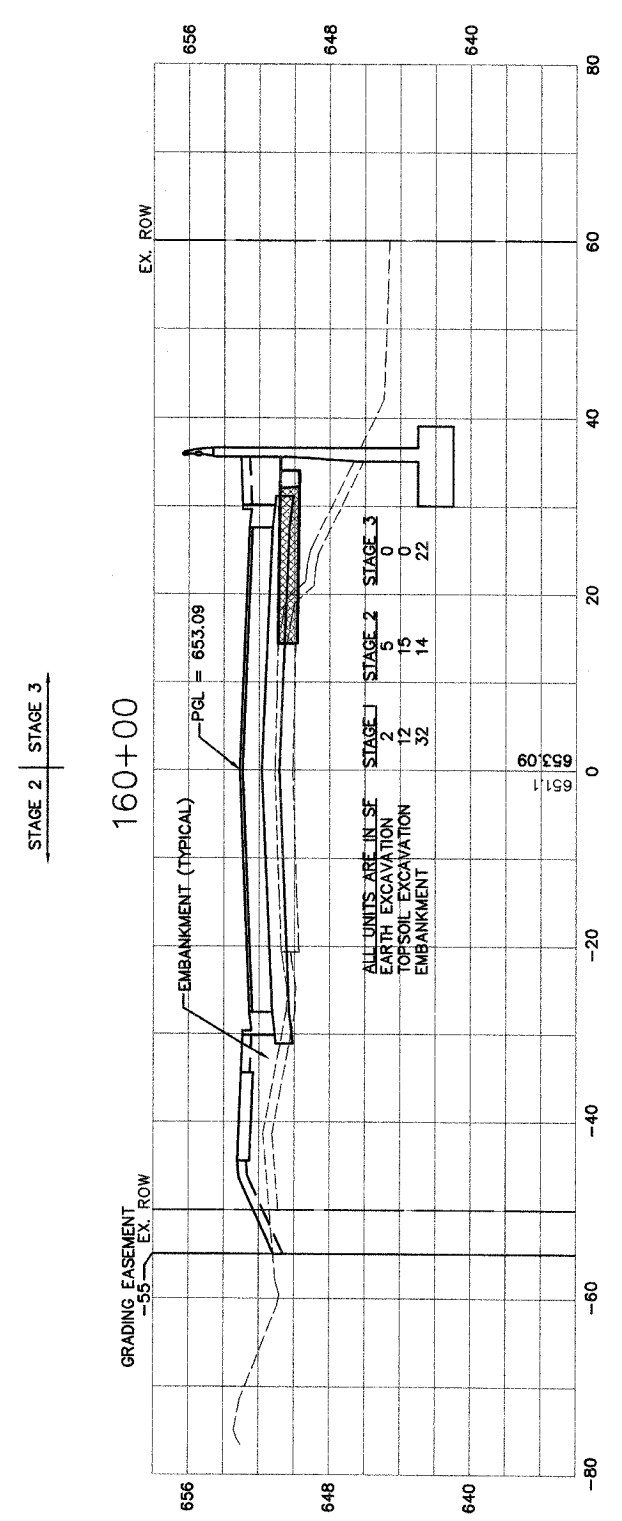
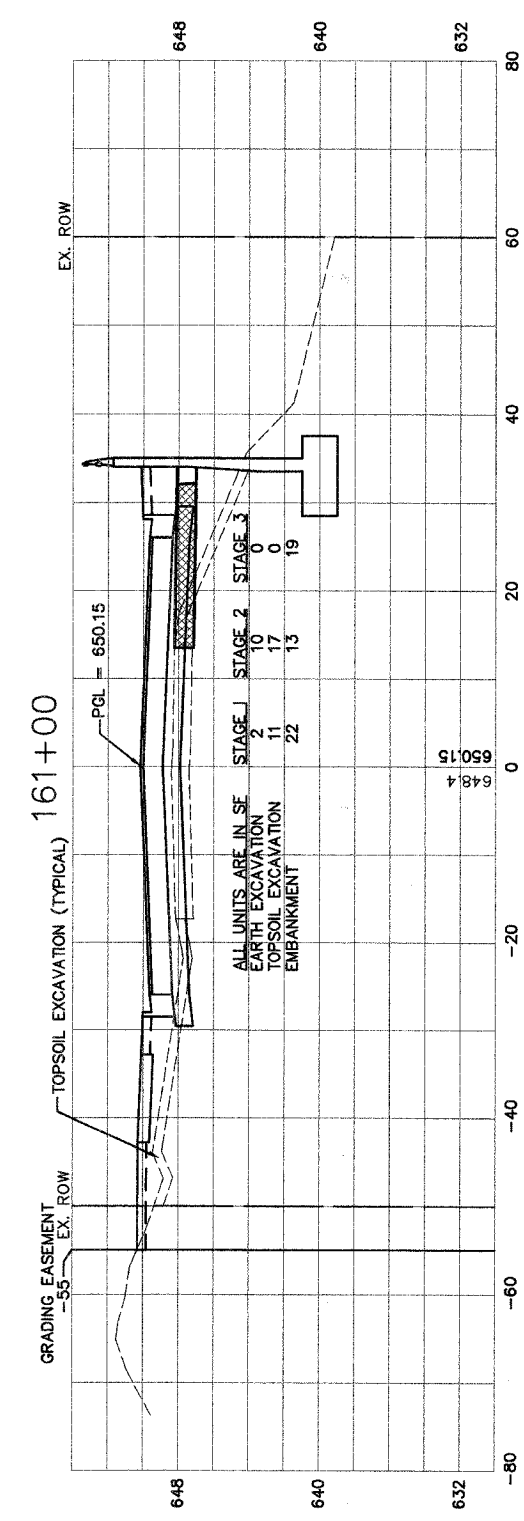
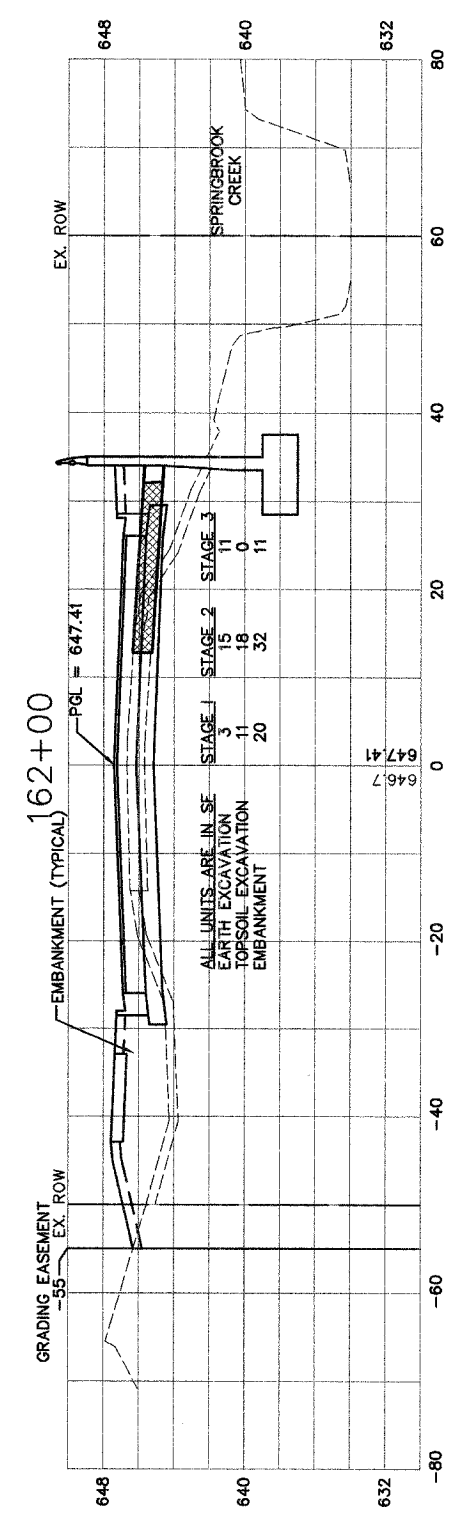
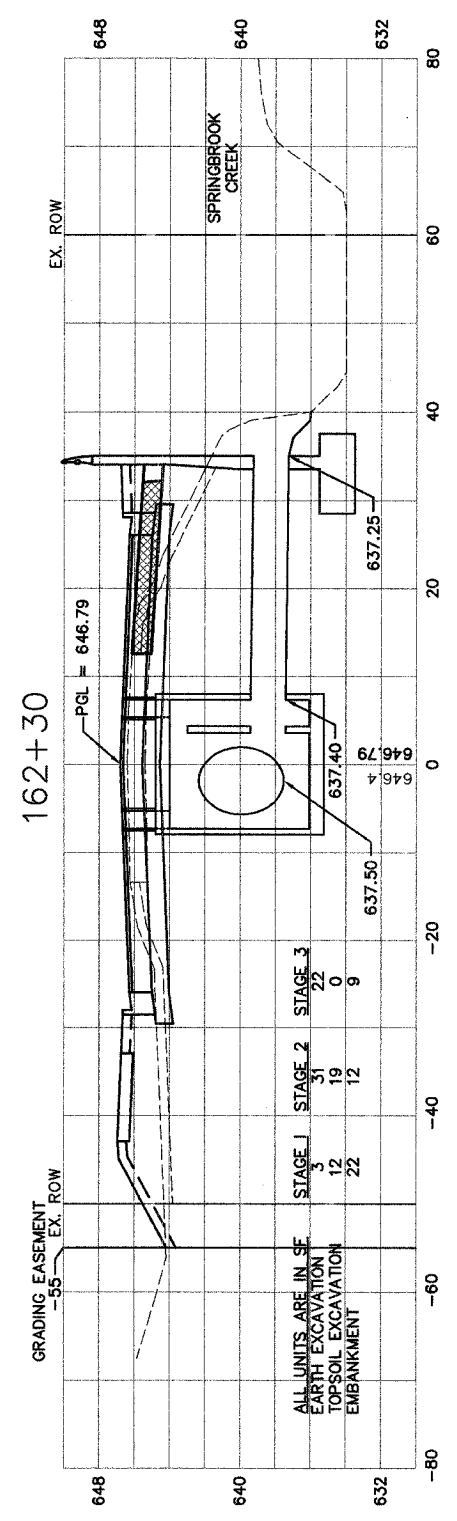
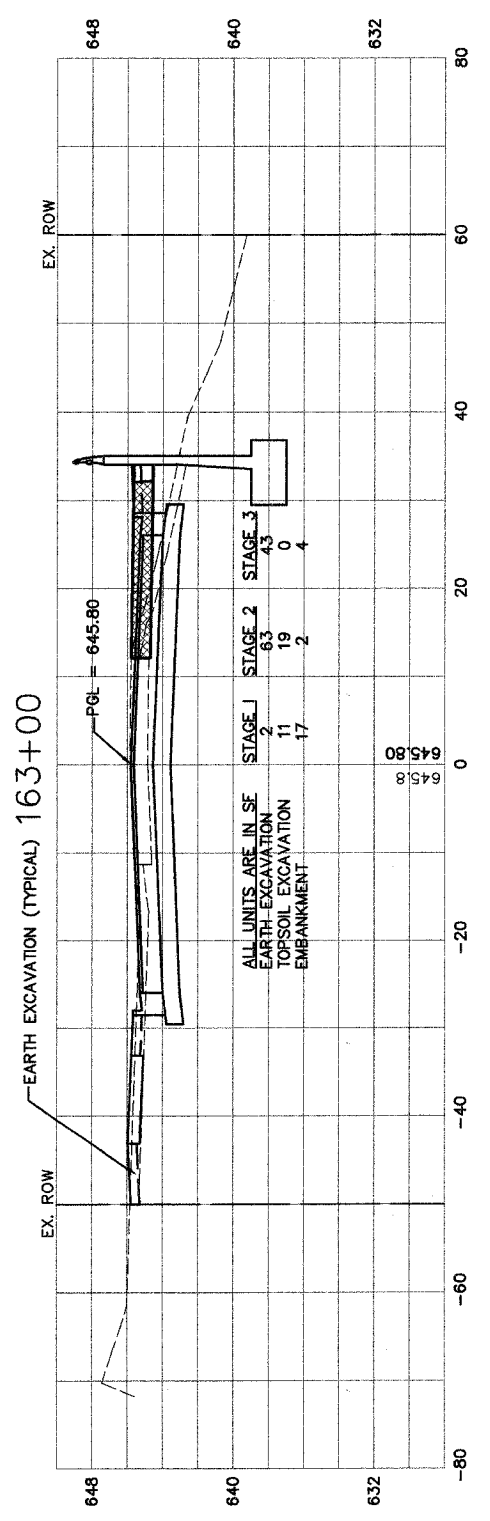


ROUTE NO.	SECTION	COUNTY	TOTAL SHEETS	SHEET NO.
FAU 2545	*	WILL	147	139
FEDERAL AID DIST. NO. 7	ALMOND	FED. AID PROJECT		

\* 98-00036-19-FP CONTRACT NO. 83896

DRAWING ID: G:\20030023 - Plainfield-Naperville Road\dwg\CROSS SECTIONS 17-24.dwg  
 PLOT DATE: 06/16/05 - 11:43



TEMPORARY PAVEMENT  
 ID INTERIM DRAINAGE

WILL COUNTY DEPARTMENT OF HIGHWAYS			
PLAINFIELD-NAPERVILLE ROAD (C.H. 14)			
ROADWAY RECONSTRUCTION			
CROSS SECTIONS			
STA 160+00 TO STA 163+00			
NO. DATE REVISION BY		DESIGNED BY: RJE CHECKED BY: N.E. DRAWN BY: RJE	SCALE: HORIZ: 1"=10' VERT: 1"=5'
McDonough Associates Inc. Engineers/Architects			