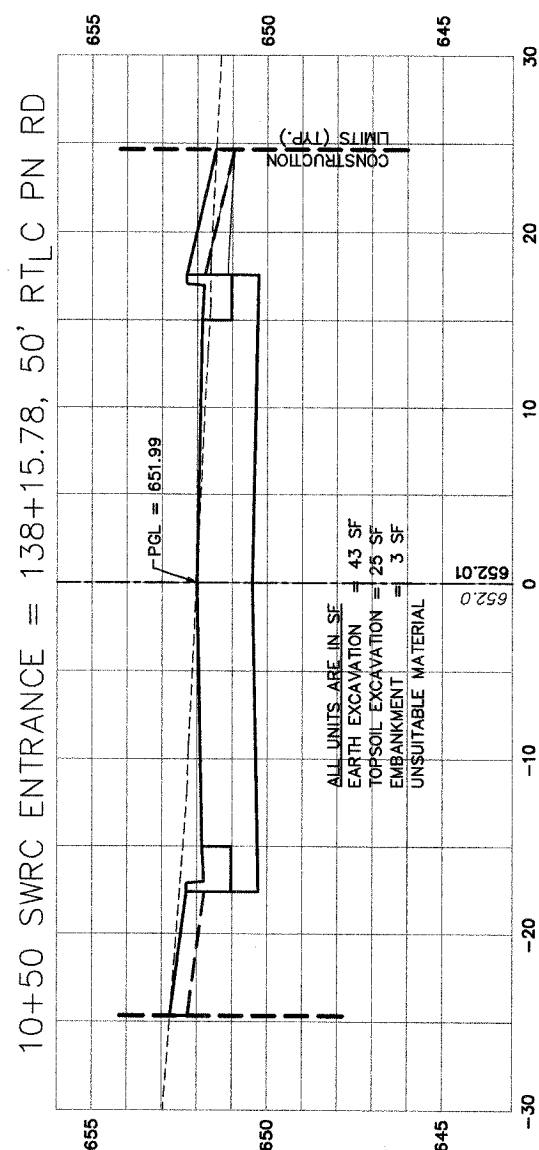
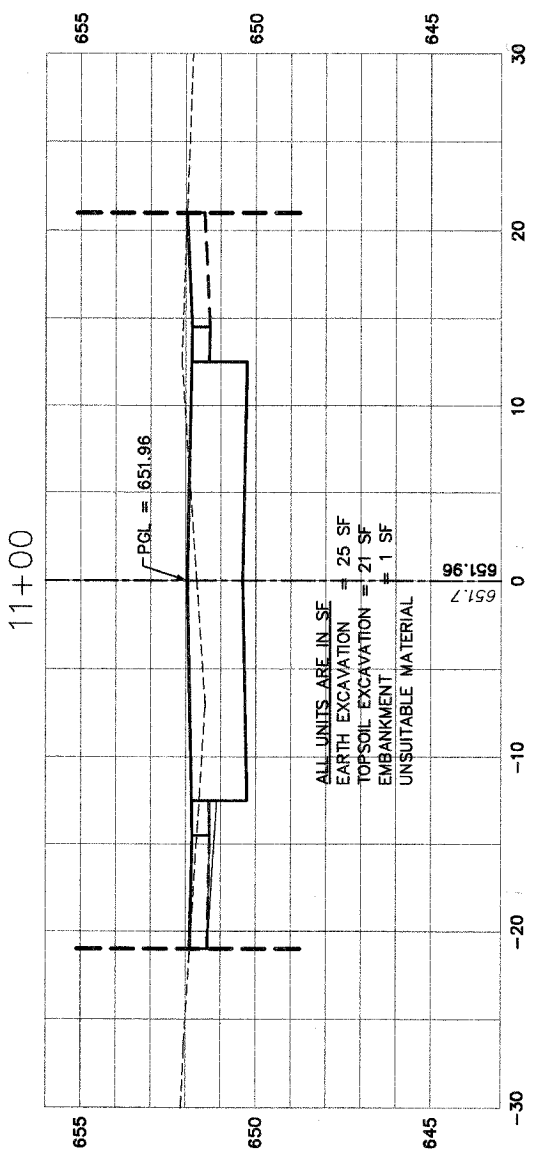
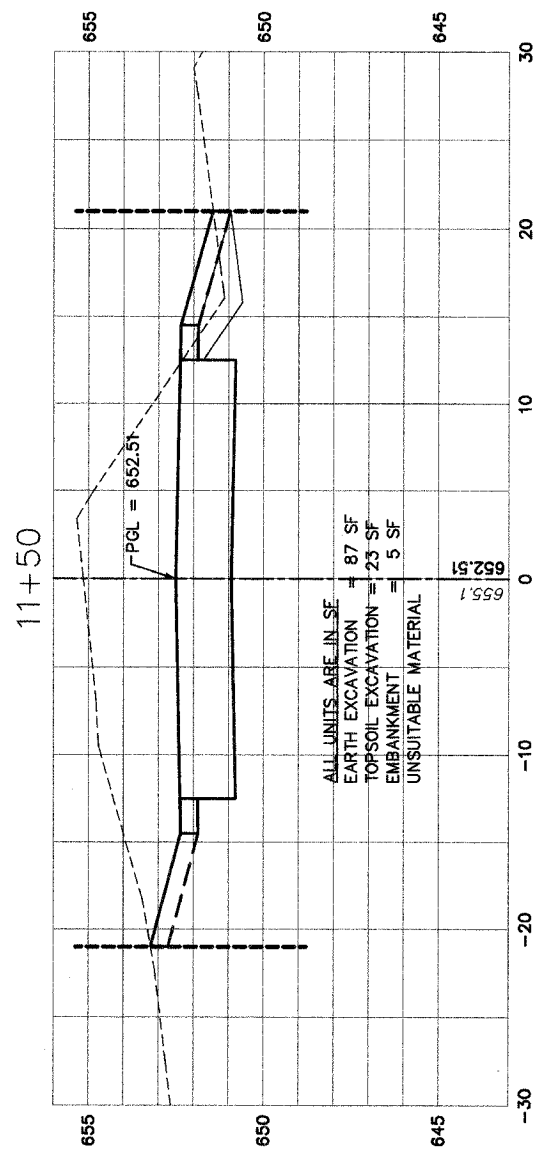
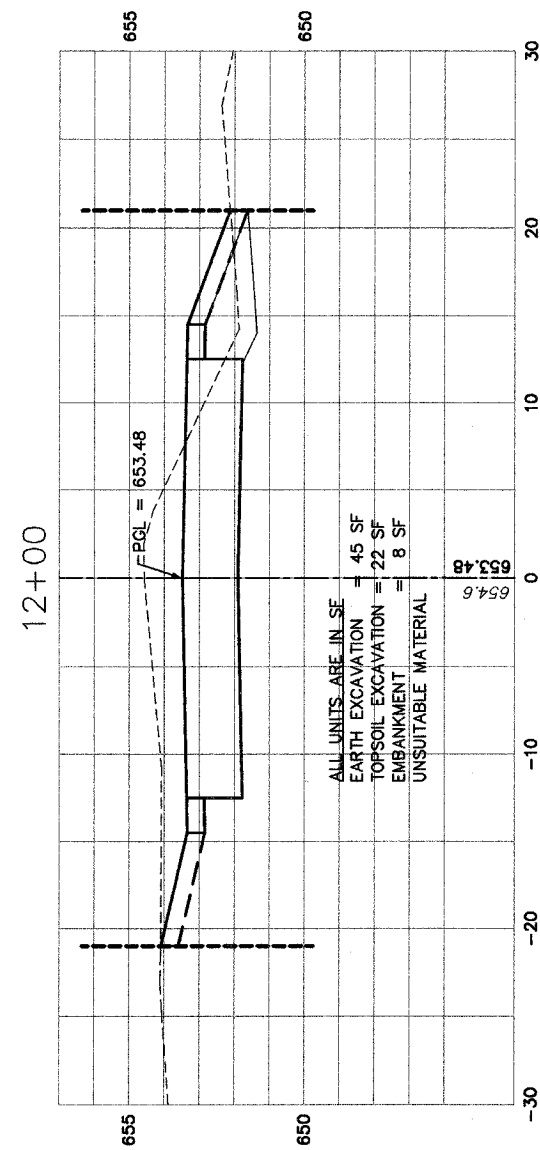


ROUTE NO.	SECTION	QUANTITY	TOTAL SHEETS	SHEET NO.
FAU 2545	*	WILL	147	142A

RELAYED DIST. NO. 7
 * 98-00036-19-FP
 CONTRACT NO. 83896



NOTE: SEE PN RD. CROSS SECTION FOR MATCH LINE OF STA 10+50 AND STA 138+15.78, 50' RT

H2
 DRAWING ID: G:\20030023 - Plainfield-Naperville Road\dwg\SWRC-DRIVEWAY.dwg
 PLOT DATE: 07/21/05 - 14:42

NO.	DATE	REVISION	BY

WILL COUNTY DEPARTMENT OF HIGHWAYS
 PLAINFIELD-NAPERVILLE ROAD (C.H. 14)
 ROADWAY RECONSTRUCTION
 SWRC ENTRANCE - CROSS SECTIONS
 STA 10+50 TO STA 11+50

McDonough Associates Inc. Engineers/Architects	DESIGNED BY: CHECKED BY: DRAWN BY:
SCALE: HORIZ: 1"=5' VERT: 1"=2.5'	