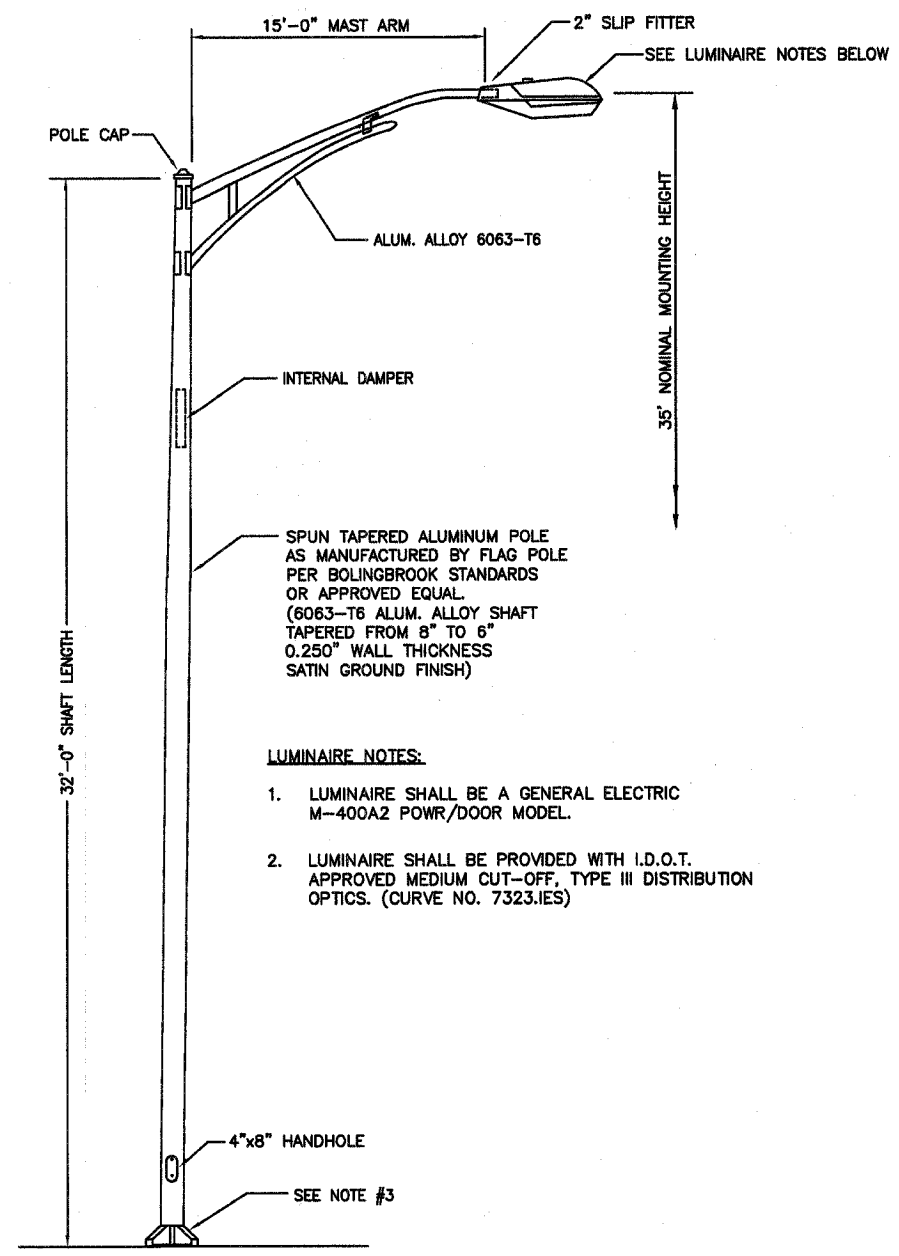


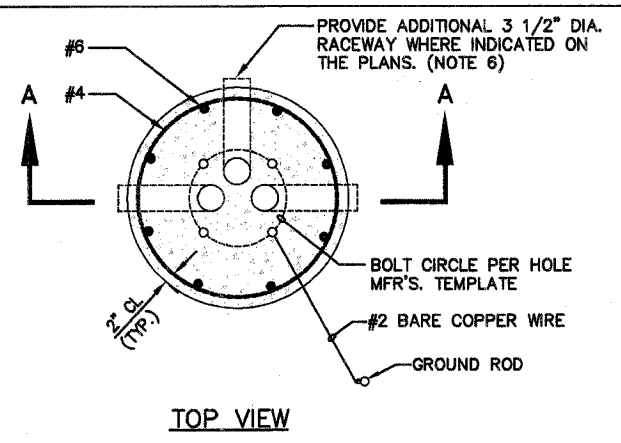
ROUTE NO.	SECTION	COUNTY	TOTAL SHEETS	SHEET NO.
FAU 2545	98-00146-16-FP	WILL	147	146
FED. ROAD DIST. NO. 7	ILLINOIS	FED. AID PROJECT		
* 98-00036-19-FP			CONTRACT NO. 83896	



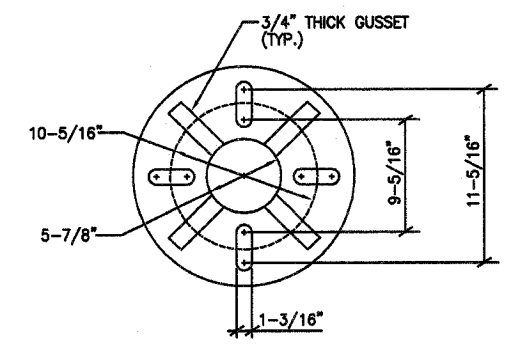
- LUMINAIRE NOTES:**
- LUMINAIRE SHALL BE A GENERAL ELECTRIC M-400A2 POWR/DOOR MODEL.
  - LUMINAIRE SHALL BE PROVIDED WITH I.D.O.T. APPROVED MEDIUM CUT-OFF, TYPE III DISTRIBUTION OPTICS. (CURVE NO. 7323.IES)

**LIGHT POLE DETAIL**  
N.T.S.

- LIGHT POLE NOTES:**
- HEAT TREATMENT SHALL BE APPLIED AFTER WELDING.
  - DESIGN SHALL CONFORM WITH THE LATEST EDITION OF A.A.S.H.T.O. "STANDARD SPECIFICATIONS FOR STRUCTURAL SUPPORTS FOR HIGHWAY SIGNS, LUMINAIRES AND TRAFFIC SIGNALS" FOR 80 M.P.H. WIND SPEED.
  - ALL POLES SHALL BE PROVIDED WITH BOLT COVERS AND A SKIRT IN ACCORDANCE WITH BOLINGBROOK STANDARDS.

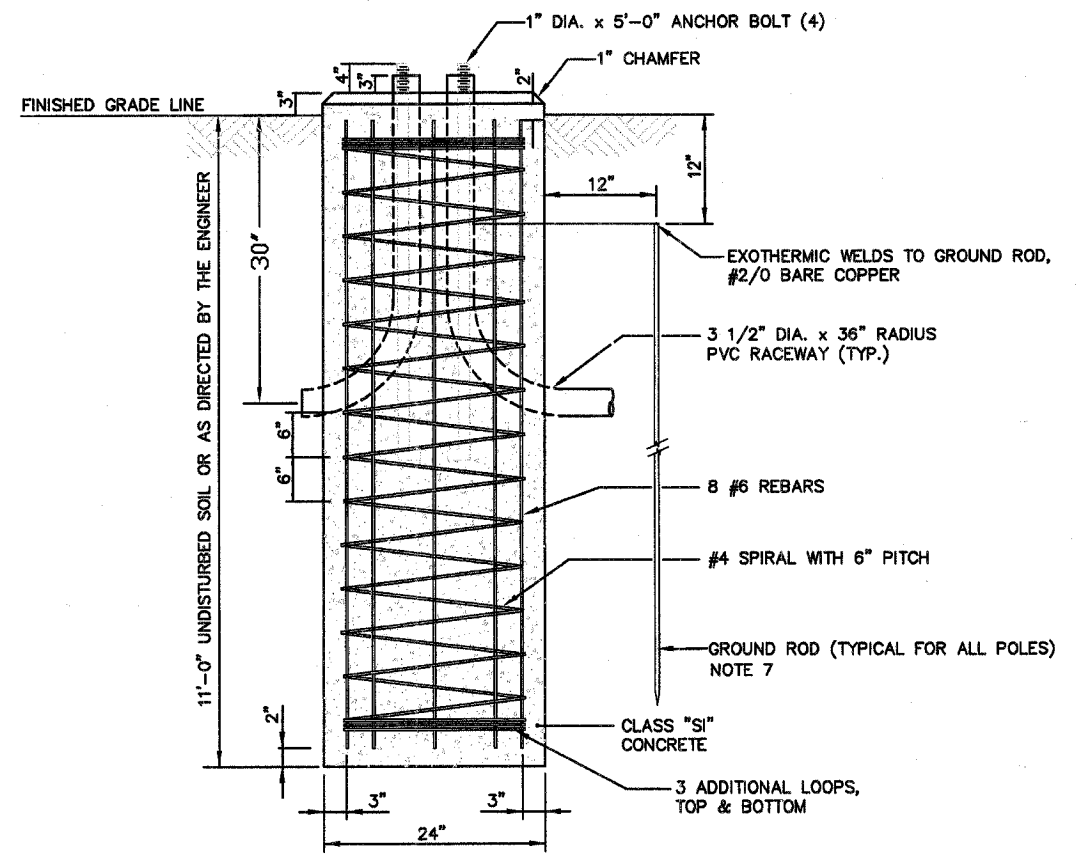


**TOP VIEW**



- THE BASE SHALL BE SLOTTED TO FIT 1" BASE BOLTS SET FROM 9-5/16" TO 11-5/16" ON CENTER DIAGONALLY.
- ANCHOR BOLTS SHALL BE MINIMUM 1" X 5'-0", 4" HOOK, THREADED AND TOP 10" HOT DIP GALVANIZED. (ANCHOR BOLT SIZES SHALL BE AS PER MANUFACTURER'S RECOMMENDATIONS).
- ALL NUTS AND WASHERS SHALL BE HOT DIP GALVANIZED.

**BOLINGBROOK STANDARD**  
**LIGHT POLE BASE DETAIL**  
N.T.S.



**SECTION A-A**

**LIGHT POLE FOUNDATION DETAIL**  
N.T.S.  
(SEE NOTES 1 THROUGH 5)

- LIGHT POLE FOUNDATION NOTES:**
- MINIMUM UNCONFINED COMPRESSIVE STRENGTH FOR COHESIVE SOILS  $Q_{u1} = .8$  TONS PER SQ. FT. MINIMUM STANDARD PENETRATION TEST VALUE FOR GRANULAR SOILS  $N = 10$  BLOWS PER FOOT.
  - MINIMUM COMPRESSIVE STRENGTH FOR CONCRETE SHALL BE 3500 PSI AT THE END OF 28 DAYS.
  - ALL REINFORCEMENT SHALL BE EPOXY COATED WITH A MINIMUM YIELD POINT OF 60000 PSI.
  - THE ANCHOR BOLTS AND RACEWAYS SHALL BE PROPERLY SECURED IN PLACE BEFORE THE CONCRETE IS PLACED IN FORMS.
  - EXCAVATION FOR THE POLE FOUNDATION SHALL BE WITH AN AUGER 24 INCHES IN DIAMETER.
  - THE COST OF ADDITIONAL RACEWAY SHALL BE INCLUDED IN THE COST OF "LIGHT POLE FOUNDATION" PAY ITEM.
  - THE COST OF GROUND ROD AND MISCELLANEOUS GROUND WIRE SHALL BE INCLUDED IN THE COST OF "LIGHT POLE FOUNDATION" PAY ITEM.

NO.	DATE	REVISION	BY

**WILL COUNTY DEPARTMENT OF HIGHWAYS**  
**PLAINFIELD-NAPERVILLE ROAD (C.H. 14)**  
**ROADWAY RECONSTRUCTION**  
**LIGHT POLE AND FOUNDATION DETAILS**

McDonough Associates Inc. Engineers/Architects  
DESIGNED BY: JES  
CHECKED BY: KMY  
DRAWN BY: JES

SCALE: N.T.S.

DRAWING ID: 0  
PLOT DATE: 0