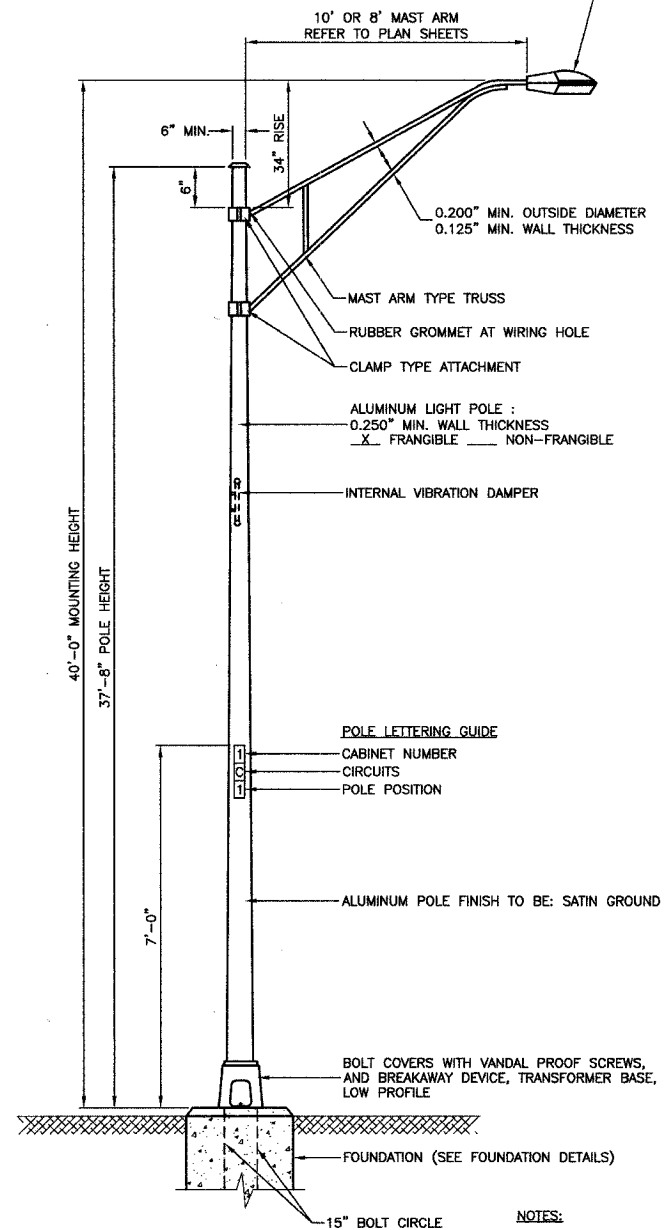


F.A.U. NO.	SECTION NO.	COUNTY	TOTAL SHEETS	SHEET NO.
1537	06-00053-00-LT	COOK	009	006
STA.	TO STA.			
FED. ROAD DIST. NO.	ILLINOIS	FED. AID PROJECT		

CONTRACT #83900

LUMINAIRE:		250 WATT HIGH PRESSURE SODIUM LAMP 240 VOLT BALLAST		310 WATT HIGH PRESSURE SODIUM LAMP 240 VOLT BALLAST	
I.E.S. TYPE:	MC III LIGHT DISTRIBUTION	OR	MC III LIGHT DISTRIBUTION	I.E.S. TYPE:	MC III LIGHT DISTRIBUTION
LENS TYPE:	FLAT		FLAT	LENS TYPE:	FLAT
INITIAL LAMP LUMENS:	28,000		37,000	INITIAL LAMP LUMENS:	37,000
LAMP LIFE:	24,000 HOURS		24,000 HOURS	LAMP LIFE:	24,000 HOURS



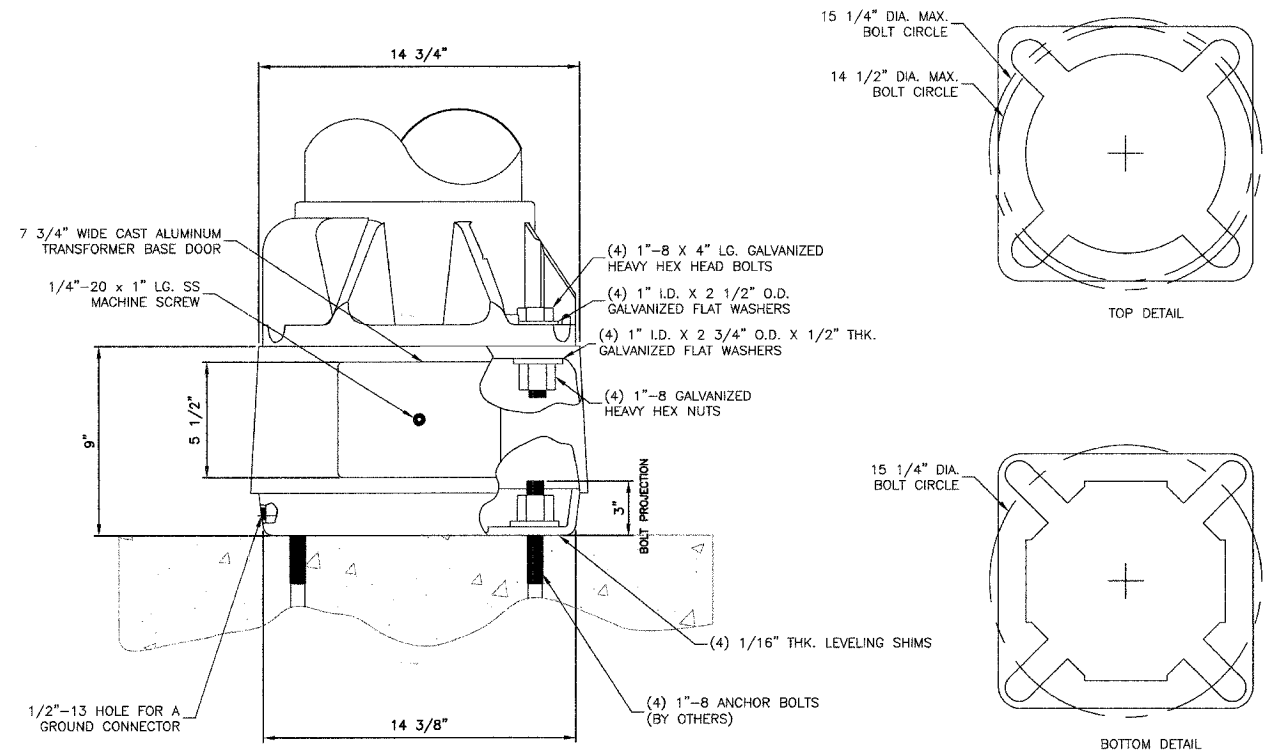
TYPICAL POLE INSTALLATION (40' MH)

NOTES:

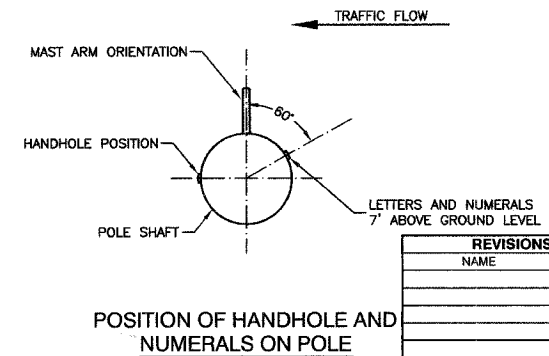
1. THE LIGHTING UNITS SHALL MEET AASHTO DESIGN CRITERIA. DESIGN FOR 90 M.P.H. WIND WITH 30% GUST AND 75 POUND LUMINAIRE HAVING AN E.P.A. OF 1.6 SQ. FT. AND PROPER ICE LOADING.
2. ALUMINUM ALLOY 6063-T6 SHALL BE USED.

IMPORTANT NOTE:

TRANSFORMER BASE AND LIGHTPOLE TO BE LEVELLED AS ONE UNIT. USING LEVELING SHIMS IF REQUIRED.



TRANSFORMER BASE DETAIL



POSITION OF HANDHOLE AND NUMERALS ON POLE

REVISIONS	
NAME	DATE

ILLINOIS DEPARTMENT OF TRANSPORTATION

71ST STREET  
STREET LIGHTING  
LIGHTING DETAILS

SCALE: VERT. NA  
HORIZ. NA  
DATE: 02/23/07  
DRAWN BY: PS  
CHECKED BY: PB

ROBINSON ENGINEERING, LTD.  
17020 SOUTH PARK AVENUE, SOUTH HOLLAND, ILLINOIS 60473  
(708) 381-8700 FAX (708) 381-9828  
ILLINOIS DESIGN FIRM REGISTRATION NO. 184001108