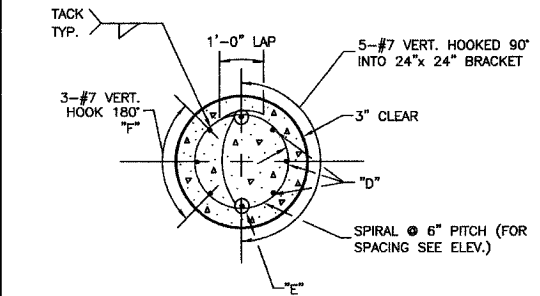


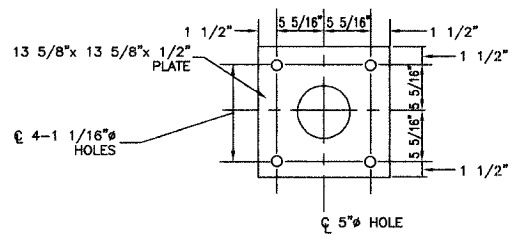
SECTION 24, TOWNSHIP 38, RANGE 12
SECTION 25, TOWNSHIP 38, RANGE 12

FILE NO.	SECTION NO.	COUNTY	TOTAL SHEETS	SHEET NO.
1537	08-00053-00-LT	COOK	009	007
STA.	TO STA.			
FED. ROAD DIST. NO.	ILLINOIS	FED. AID PROJECT		

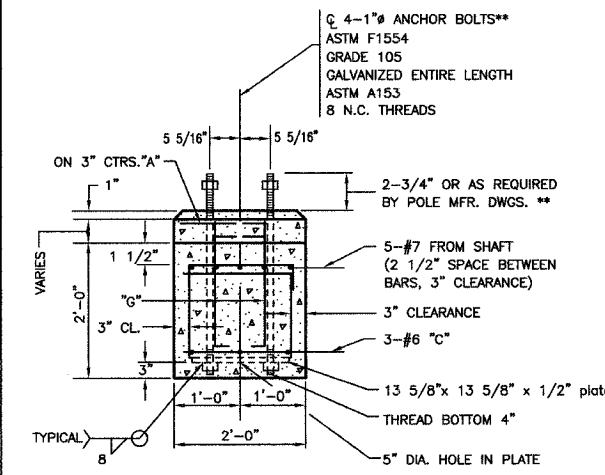
CONTRACT #83900



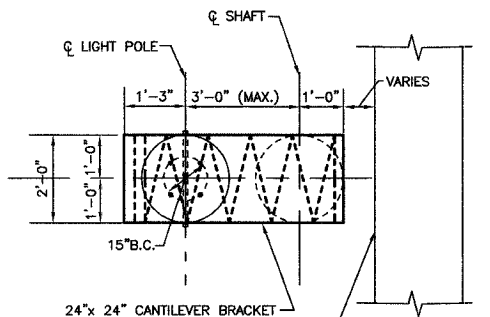
SECTION A-A



ANCHOR BOLT PLATE



SECTION B-B

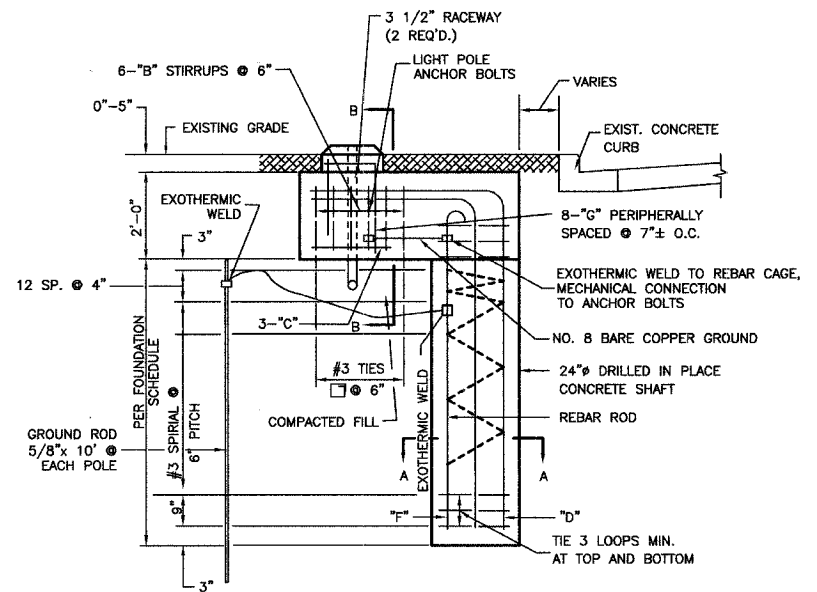


PLAN - CANTILEVERED BRACKET

****NOTE:**
THE TOP OF THE ANCHOR BOLTS SHOULD NOT PROJECT MORE THAN 4" ABOVE A 60" CHORD ALIGNED RADIALLY TO THE CENTERLINE OF THE HIGHWAY AND CONNECTING ANY POINT WITHIN THE LENGTH OF THE CHORD, ON THE GROUND SURFACE ON ONE SIDE OF THE SUPPORT TO A POINT ON THE GROUND SURFACE ON THE OTHER SIDE.

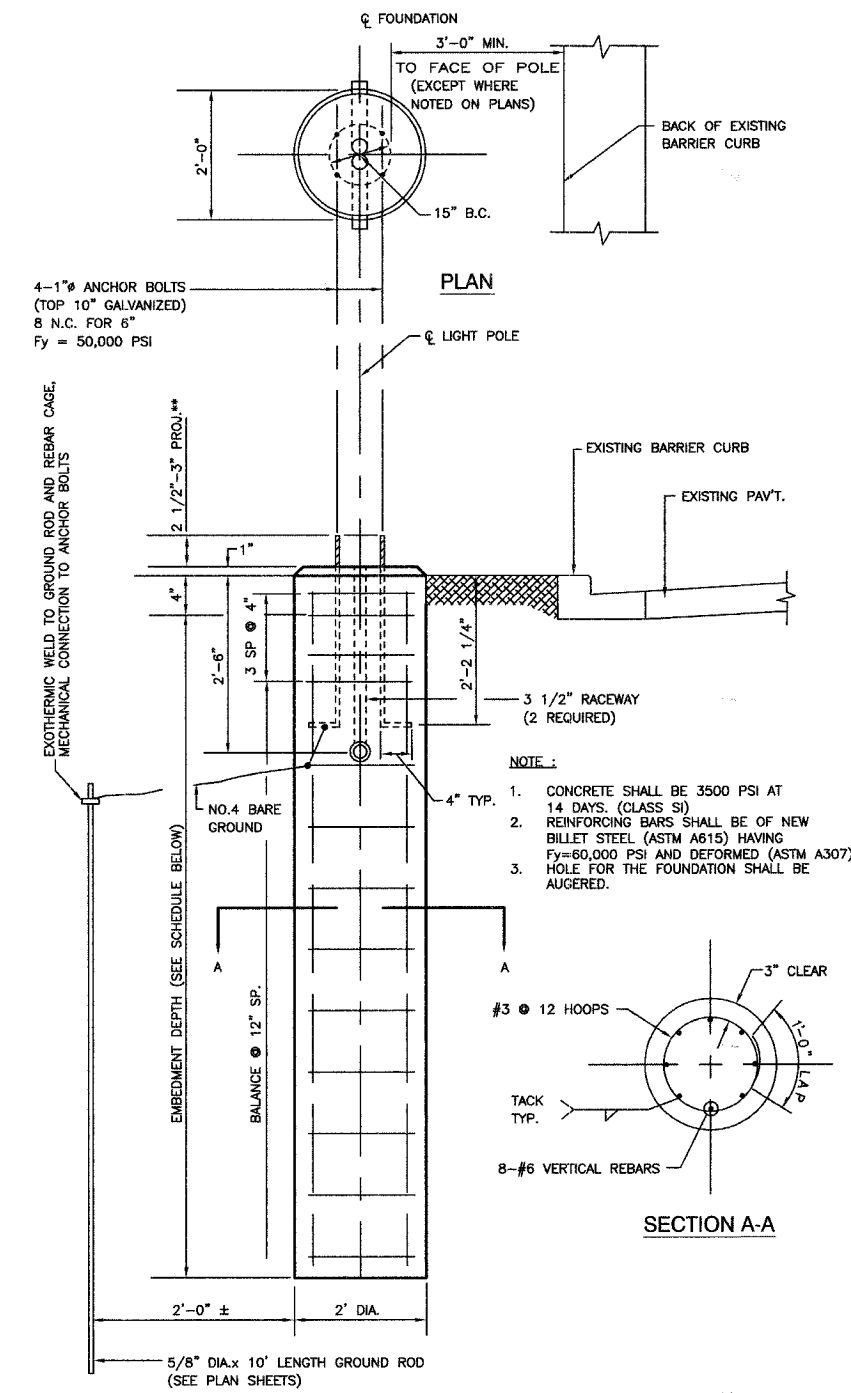
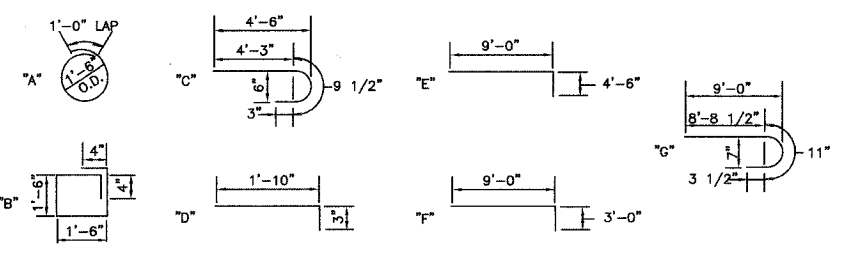
- NOTE:**
- CONCRETE SHALL BE 3500 PSI AT 14 DAYS. (CLASS SI)
 - REINFORCING BARS SHALL BE OF NEW BILLET STEEL ASTM A615 (M42) AND DEFORMED
 - HOLE FOR THE FOUNDATION (SHAFT) SHALL BE AUGERED
 - POLE FOUNDATION, OFFSET FOR THIS APPLICATION IS EQUIVALENT TO 13.5 LIN.FT. PER FOUNDATION.
 - THE CONTRACTOR SHALL USE A #3 SPIRAL AT 6" PITCH OR MAY SUBSTITUTE #3 TIES 12" O.C. WITH THE APPROVAL OF THE ENGINEER

BILL OF MATERIALS				
"LIGHT POLE FOUNDATION, 24" DIAMETER, OFFSET"				
QUAN.	MARK	SIZE	LENGTH	SHAPE
11	A	NO.3	5'-9"	○
6	B	NO.3	6'-8"	□
3	C	NO.6	5'-31/2"	○
8	G	NO.6	2'-1"	□
3	D	NO.7	13'-6"	□
2	E	NO.7	12'-0"	□
3	F	NO.7	9'-11"	□
REINFORCING BARS			LSBS.	285
CLASS X CONCRETE			CU.YDS.	1.7
ANCHOR BOLTS			NO.	4
ANCHOR BOLT PLATE NO.				1



ELEVATION

POLE FOUNDATION, OFFSET - DETAILS

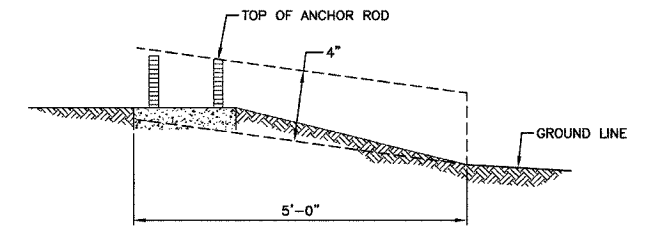


ELEVATION

LIGHT POLE FOUNDATION (TYPICAL)

****NOTE:**
ACTUAL FOUNDATION DEPTH IS EMBEDMENT DEPTH (FROM SCHEDULE) PLUS 6" EQUALS TOTAL DEPTH.
7'-6"+6"= 8'-0" FOR 40' MH
10'-0"+6"=10'-6" FOR 47.5' MH

TYPE OF SOILS		EMBEDMENT			
DESCRIPTION	STANDARDS	MOUNTING HEIGHT			
		30 FT.	35 FT.	40 FT.	47.5 FT.
SOFT CLAY	Qu = .25-50 T/FT. 2	9'-0"	9'-8"	10'-6"	14'-0"
MEDIUM CLAY	Qu = .50-1.0 T/FT. 2	6'-6"	7'-0"	7'-6"	10'-0"
DENSE CLAY	Qu = 1.0-2.0 T/FT. 2	5'-6"	6'-0"	6'-6"	8'-6"
LOOSE SAND	N = 4-10	7'-0"	7'-8"	8'-4"	11'-0"
MEDIUM SAND	N = 10-30	6'-0"	6'-6"	7'-3"	9'-6"
DENSE SAND	N = 30-50	5'-6"	6'-0"	6'-6"	8'-6"



FOUNDATION EXTENSION DETAIL

****NOTE:**
THE FOUNDATION SHALL NOT PROTRUDE MORE THAN 100MM (4") ABOVE THE FINISHED GRADE WITHIN A 1.5M (60") CHORD ACROSS THE FOUNDATION, WITH ANCHOR RODS INCLUDED. IN ACCORDANCE WITH AASHTO GUIDELINES. IF THE FOUNDATION HEIGHT, INCLUDING ANCHOR RODS, EXTENDS BEYOND THESE SPECIFIED LIMITS, THE FOUNDATION SHALL BE REPLACED AT THE CONTRACTORS EXPENSE. SEE FOUNDATION EXTENSION DETAIL.

ILLINOIS DEPARTMENT OF TRANSPORTATION
71ST STREET STREET LIGHTING LIGHTING DETAILS

REVISIONS	
NAME	DATE

SCALE: VERT. NA
HORIZ. NA
DATE 02/23/07
DRAWN BY PS
CHECKED BY PB