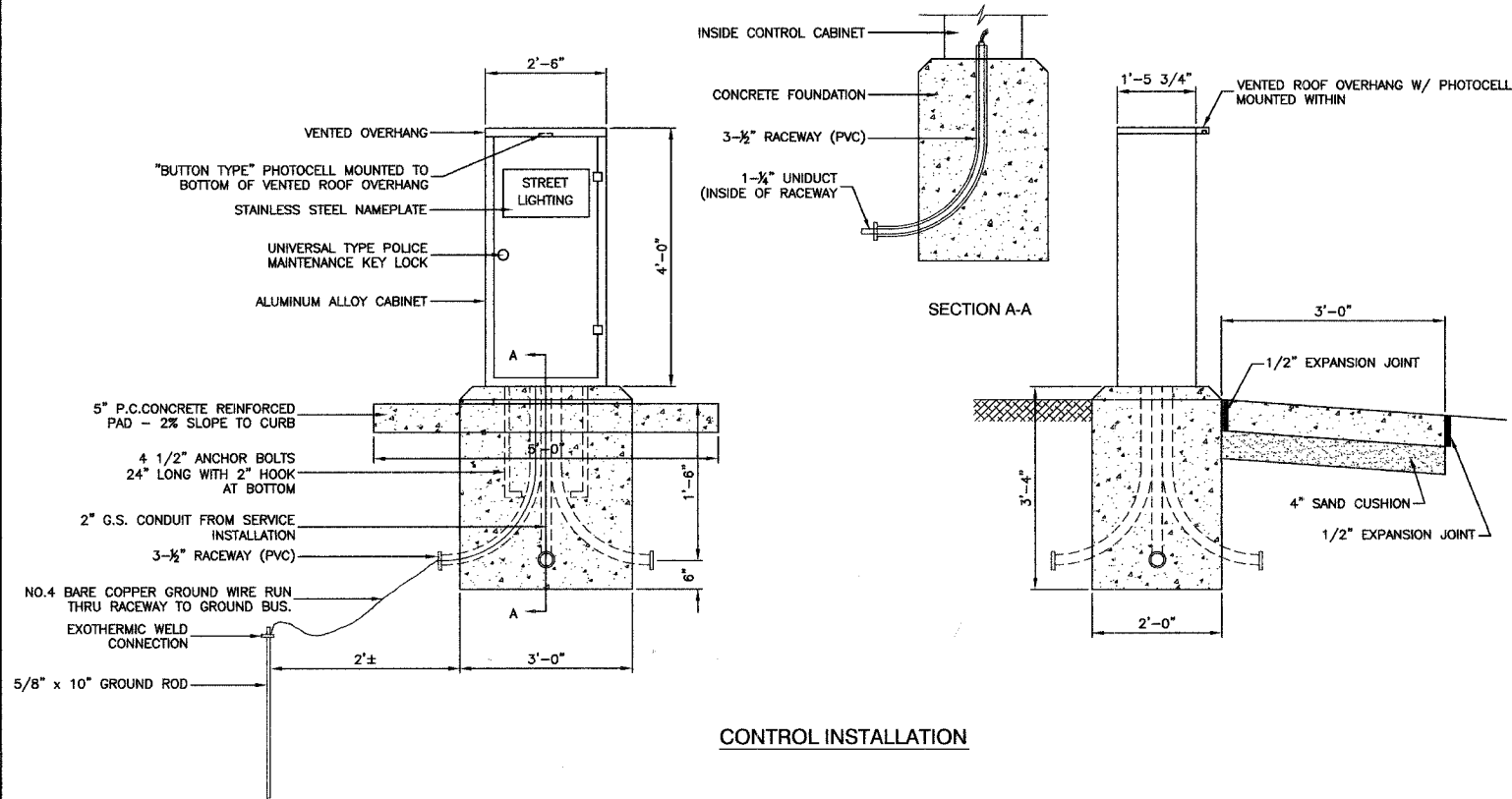


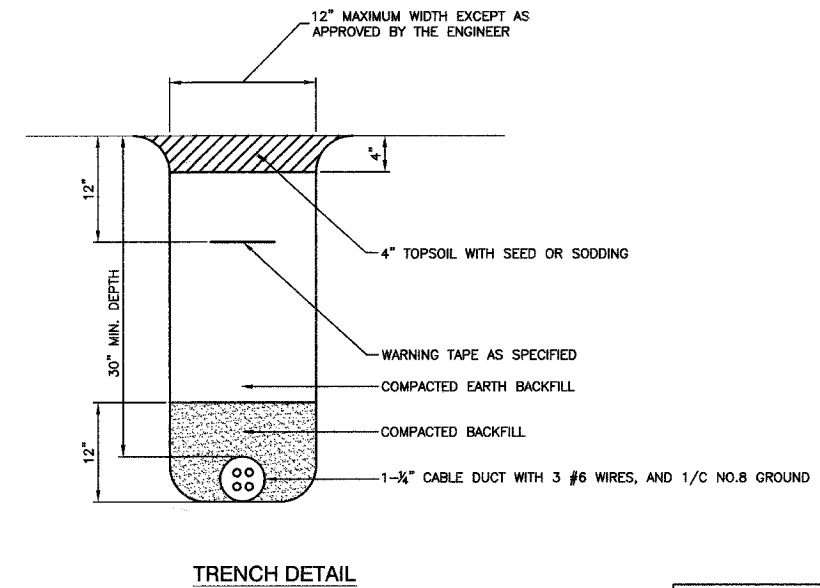
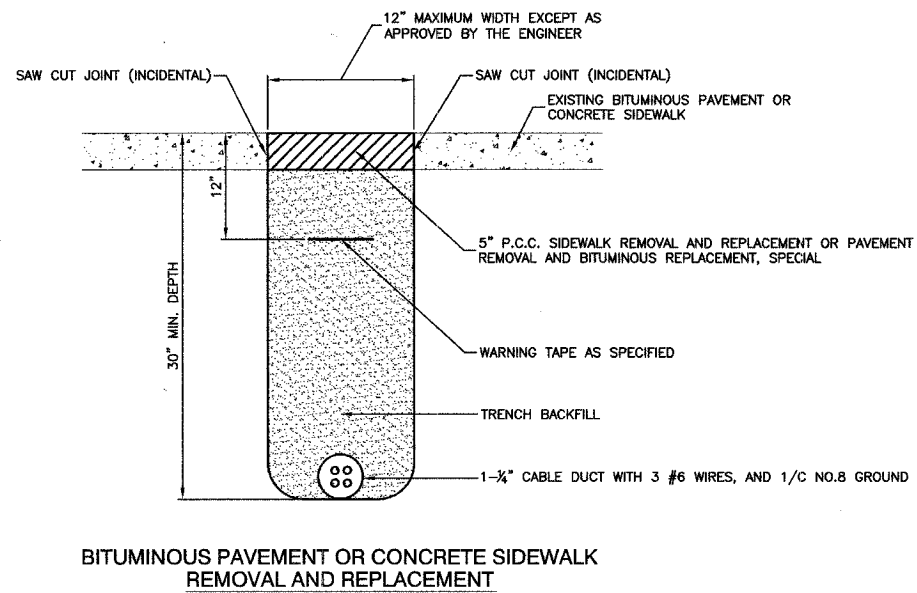
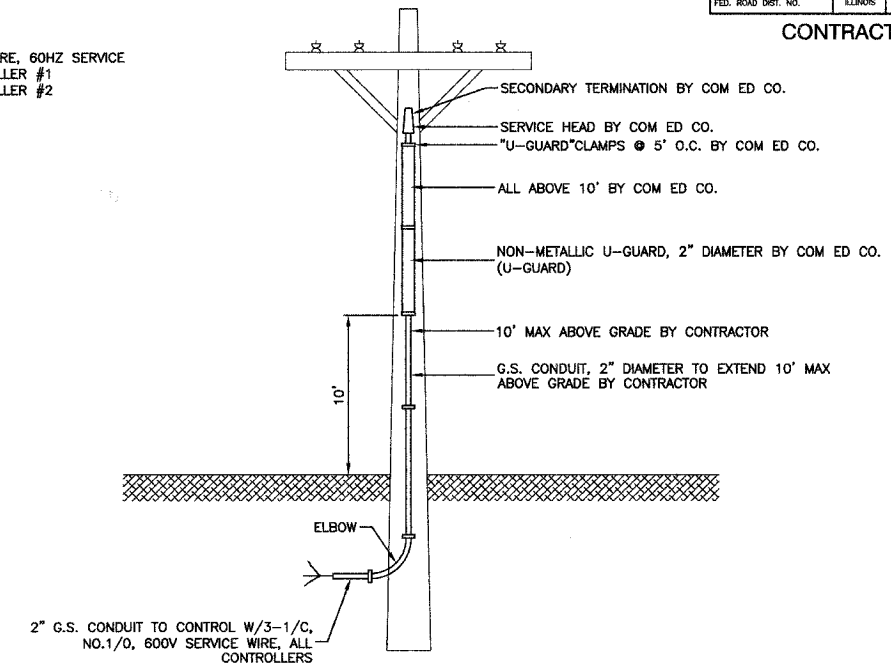
SECTION 24, TOWNSHIP 38, RANGE 12
SECTION 25, TOWNSHIP 38, RANGE 12

F.A.R. NO.	SECTION NO.	COUNTY	TOTAL SHEETS	SHEET NO.
1537	06-00053-00-LT	COOK	009	009
STA.	TO STA.			
FED. ROAD DIST. NO.	ILLINOIS	FED. AID PROJECT		

CONTRACT #83900



240/480 VOLT, 1Ø, 3 WIRE, 60HZ SERVICE
9.16 KVA LOAD, CONTROLLER #1
4.00 KVA LOAD, CONTROLLER #2



REVISIONS	
NAME	DATE

ILLINOIS DEPARTMENT OF TRANSPORTATION

71ST STREET
STREET LIGHTING
LIGHTING DETAILS

SCALE: VERT. NA
HORIZ. NA
DATE 02/23/07
DRAWN BY PS
CHECKED BY PB

ROBINSON ENGINEERING, LTD.
1000 SOUTH PARK AVENUE, SOUTH HOLLAND, ILLINOIS 60473
TEL: (708) 381-8700 FAX: (708) 381-8828
ILLINOIS DESIGN FIRM REGISTRATION NO. 154601128 06184-LGHT-02