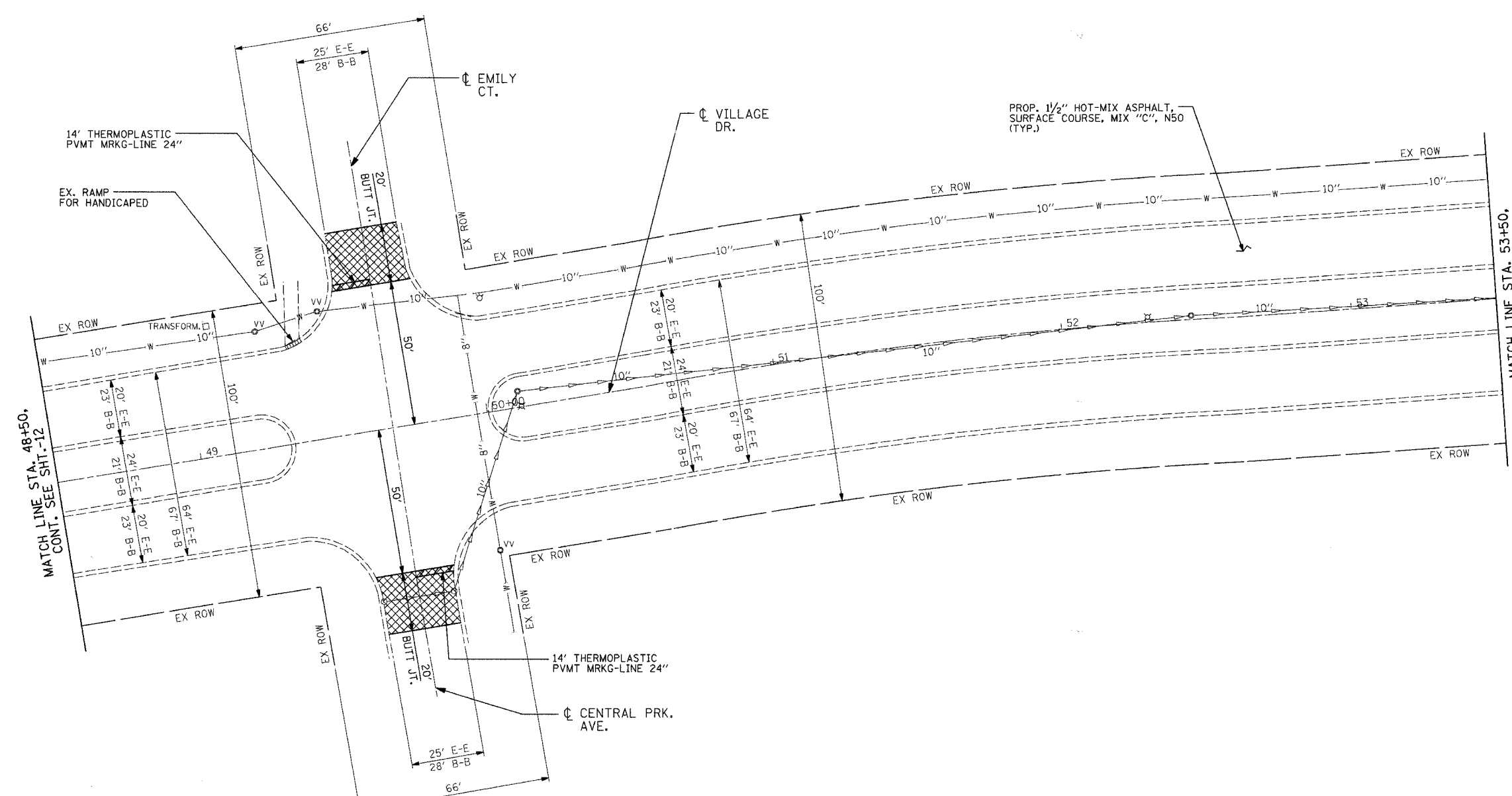
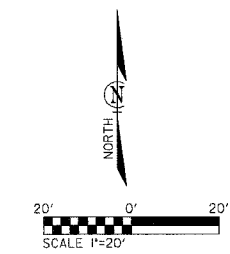


CONTRACT NO. 83907				
F.A. RTE.	SECTION	COUNTY	TOTAL SHEETS	SHEET NO.
1681		COOK	19	13
STA. 48+50.00		TO STA. 53+50.00		
FED. ROAD DIST. NO.	ILLINOIS			

• 06-00068-00-RS




MATCH LINE STA. 48+50.00
CONT. SEE SHT. -12

MATCH LINE STA. 53+50.00
CONT. SEE SHT. -14

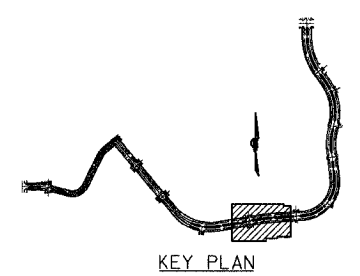
EXISTING LEGEND:

—▲—	- STORM SEWER	wvo	- WATER VALVE
—>>>	- SANITARY SEWER	vv	- VALVE VAULT
—W—	- WATER LINE	⊕	- FIRE HYDRANT
—G—	- GAS LINE	gvo	- GAS VALVE
—T—	- TELEPHONE LINE	□	- GAS VAULT
—E—	- COMED LINE	⊗	- LIGHT POLE
—CTV—	- CABLE LINE	⊖	- POWER POLE
○	- CATCH BASIN	↑	- GUY
●	- MANHOLE		
□	- INLET		

NOTE:
THE REPLACEMENT CURB & GUTTER SHALL BE CONSTRUCTED IN ACCORDANCE WITH SEC. 606 OF THE STANDARD SPECIFICATIONS, CONFORM WITH IDOT HIGHWAY STANDARD #606001, AND BE OF THE TYPE AND DIMENSIONS OF THAT EXISTING AT EACH LOCATION, EXCEPT THAT A DEPRESSED CURB SECTION SHALL BE CONSTRUCTED AT SIDEWALK.

CIVIL / STRUCTURAL ENGINEERS

GLOBETROTTERS INTERNATIONAL.
 300 SOUTH WACKER DRIVE, SUITE 200
 CHICAGO, IL. 60606

REVISIONS	
NAME	DATE
IDOT COMMENTS	02/14/07
IDOT COMMENTS	03/12/07



MFT 06-00068-00-RS
 VILLAGE DRIVE
 EDGEWATER DR. TO 183rd STR.
 HAZEL CREST, IL
 PROJECT NO. 05726

SCALE: VERT. NONE
 HORIZ. 1" = 20'
 DATE 03/09/2007

DRAWN BY LS
 CHECKED BY CT

PLOT DATE = 03/09/2007
 PLOT SCALE = 20.0000"
 SHEET SIZE = 36x24 (IN)