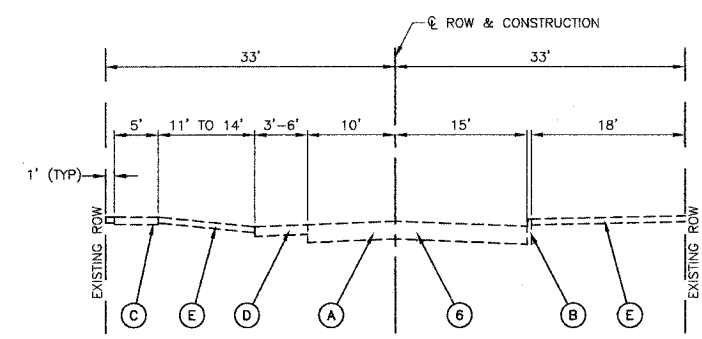
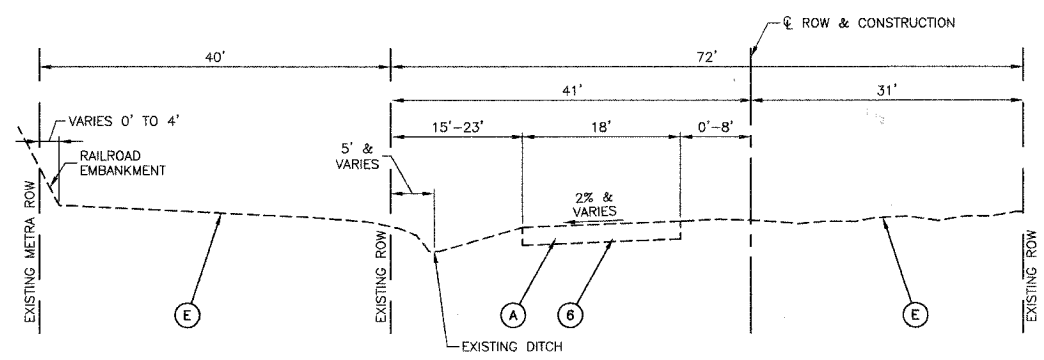


F. A. U. NO.	SECTION	COUNTY	TOTAL SHEETS	SHEET NO.
	03-00108-00-PK	COOK	025	005
STA.	TO STA.			
FED. ROAD DIST. NO.	ILLINOIS	FED. AID PROJECT		

CONTRACT NO. 83912

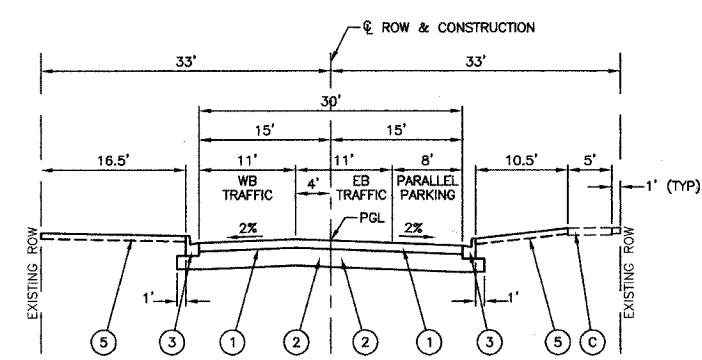


EXISTING TYPICAL CROSS SECTION
145TH STREET

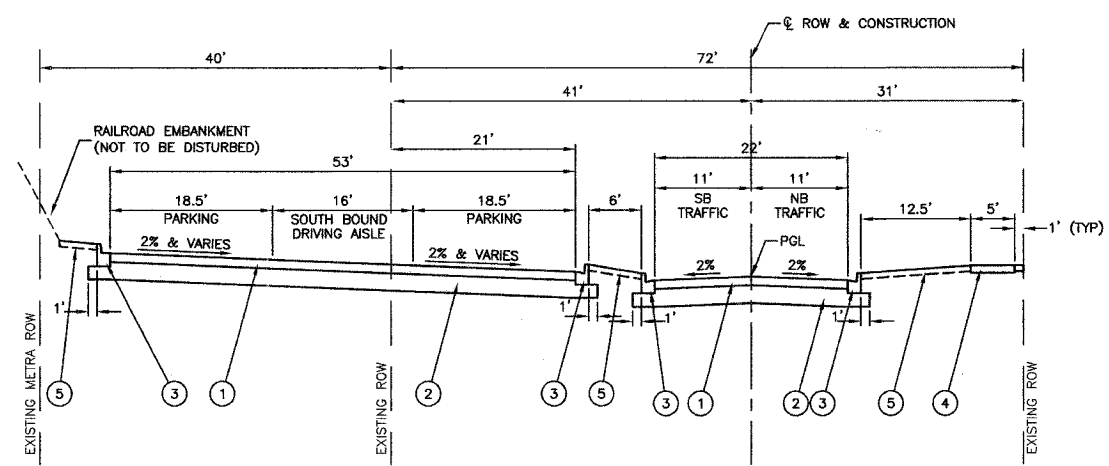


EXISTING TYPICAL CROSS SECTION
ILLINOIS STREET

- EXISTING LEGEND**
- (A) HMA PAVEMENT & AGGREGATE BASE
 - (B) TYPE B CURB
 - (C) PORTLAND CEMENT CONCRETE SIDEWALK
 - (D) AGGREGATE SHOULDER
 - (E) GRASS PARKWAY



PROPOSED TYPICAL CROSS SECTION
145TH STREET



PROPOSED TYPICAL CROSS SECTION
ILLINOIS STREET

- PROPOSED LEGEND**
- (1) HOT-MIX ASPHALT PAVEMENT (FULL DEPTH) 6"
 - (2) AGGREGATE SUBGRADE - 12"
 - (3) COMBINATION CONCRETE CURB AND GUTTER, TYPE B-6.12
 - (4) P.C.C. SIDEWALK - 5" (SEE PLAN AND PROFILE SHEETS FOR LOCATIONS)
 - (5) TOPSOIL FURNISH AND PLACE, 4" SODDING, SALT TOLERANT
 - (6) PAVEMENT REMOVAL (PAID FOR AS EARTH EXCAVATION)

HOT-MIX ASPHALT MIXTURE REQUIREMENTS

MIXTURE TYPE	AC TYPE	AIR VOIDS
FULL DEPTH PAVEMENT		
HOT-MIX ASPHALT SURFACE COURSE, MIX "C", N50 (IL 9.5mm); 2"	PG 64-22	4% @ 50 Gyr.
HOT-MIX ASPHALT BINDER COURSE, IL-19.0, N50; 4"	PG 64-22/58-22 *	4% @ 50 Gyr.
DRIVEWAYS AND ALLEYS		
HOT-MIX ASPHALT SURFACE COURSE, MIX "C", N50 (IL 9.5mm); 2"	PG 64-22	4% @ 50 Gyr.
HOT-MIX ASPHALT BASE COURSE, (HMA BINDER IL-19mm); 6"	PG 64-22 *	4% @ 50 Gyr.

THE UNIT WEIGHT USED TO CALCULATE ALL HOT-MIX ASPHALT SURFACE MIXTURE QUANTITIES IS 112 lbs/sq yd/in.
* WHEN RAP EXCEEDS 20%, THE NEW ASPHALT BINDER IN THE MIX SHALL BE PG 58-22

REVISIONS	
NAME	DATE

ILLINOIS DEPARTMENT OF TRANSPORTATION
**COMMUTER PARKING
TYPICAL CROSS SECTIONS**

SCALE: VERT. NONE
DATE: 2/22/07

DRAWN BY: AG
CHECKED BY: PKB

ROBINSON ENGINEERING, LTD.
1700 SOUTH PARK AVENUE, SCOTT HOLLAND, ILLINOIS 60161
(708) 351-8700 FAX (708) 351-8800
ILLINOIS DESIGN FIRM REGISTRATION NO. 184007128 04185-TYPX-01