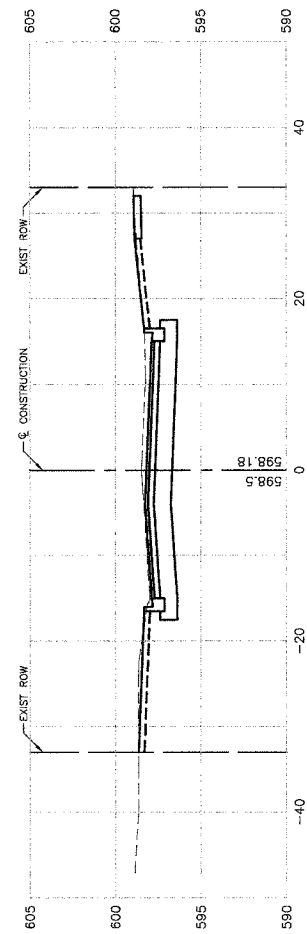


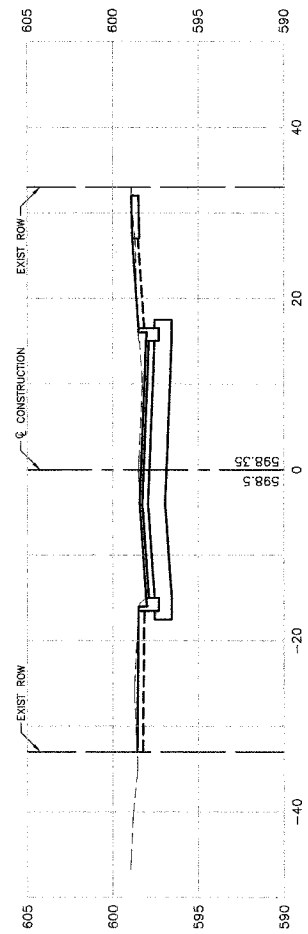
SECTION 4, TOWNSHIP 36, RANGE 14

F. A. U. SHEET NO.	SECTION	COUNTY	TOTAL SHEETS	SHEET NO.
	03-00108-00-PK	COOK	025	022
STA.	TO STA.			
FED. ROAD DIST. NO.	ILLINOIS	FED. AID PROJECT		

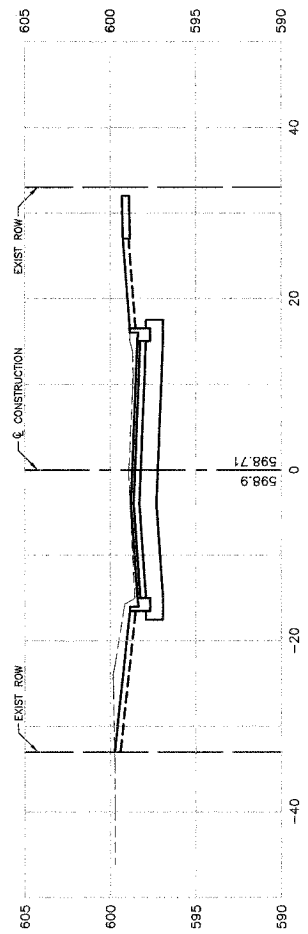
CONTRACT NO. 83912



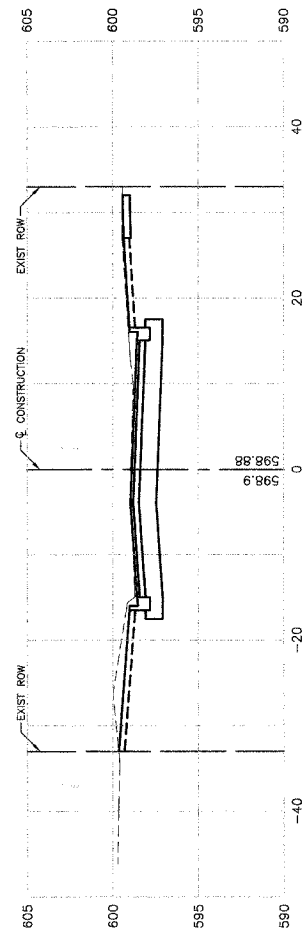
14+50  
CUT=71  
FILL=1



14+00  
CUT=68  
FILL=1



13+00  
CUT=76  
FILL=1



12+50  
CUT=75  
FILL=1

REVISIONS	
NAME	DATE

ILLINOIS DEPARTMENT OF TRANSPORTATION

**COMMUTER PARKING  
145TH STREET  
CROSS SECTIONS  
STA 12+50 TO STA 14+50**

SCALE: VERT. 1"=5'  
HORIZ. 1"=10'

DATE 2/22/07

DRAWN BY AG/RG  
CHECKED BY PKB

ROBINSON ENGINEERING, LTD.  
1700N SOUTH PARK AVENUE SOUTH HOLLAND, ILLINOIS 60473  
708.321-4700 FAX 708.321-3838  
ILLINOIS DESIGN FIRM REGISTRATION NO. 184001128 04185-XSEC-01