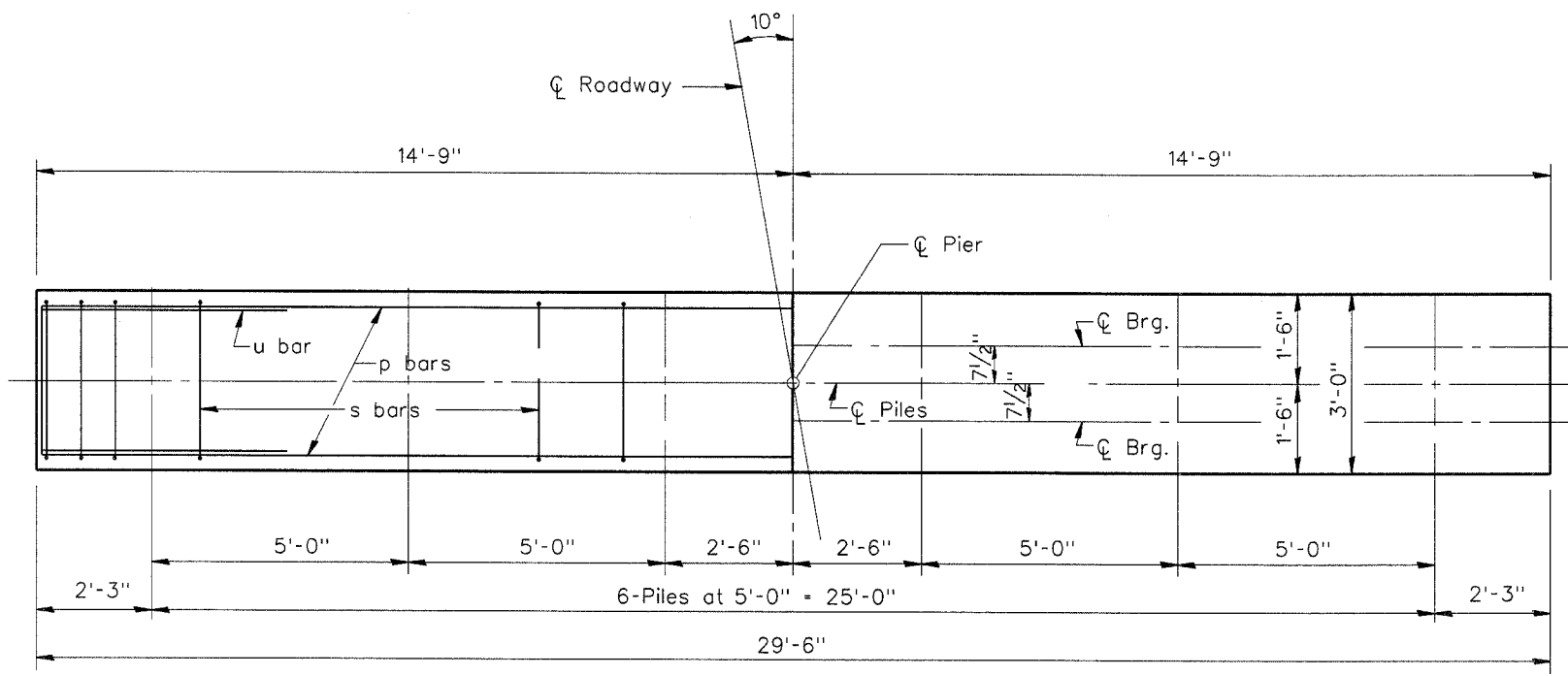
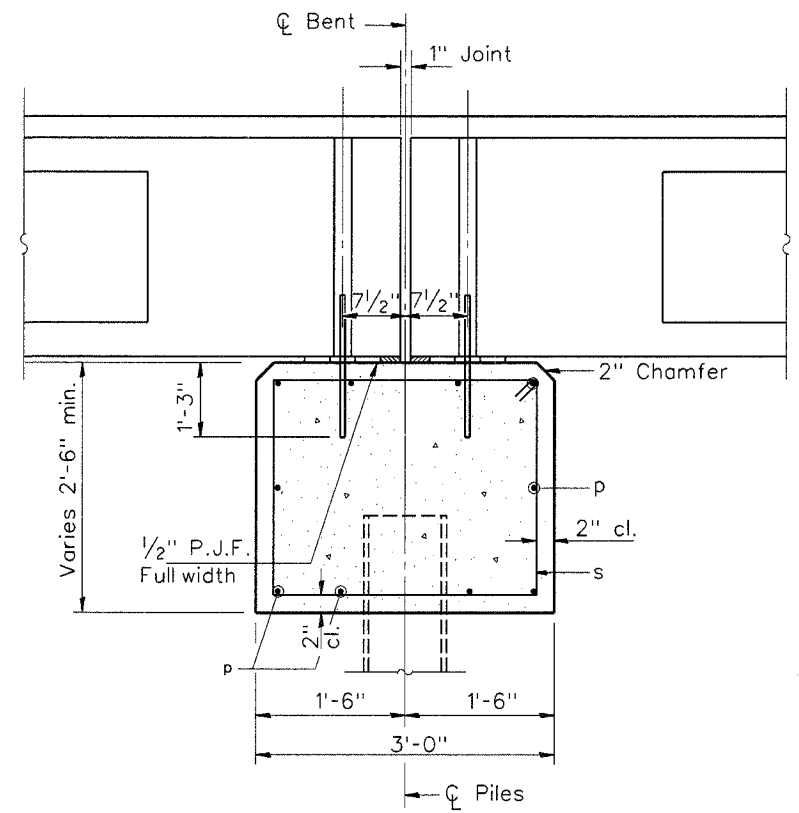


FAS RTE	SECTION	COUNTY	TOTAL SHEETS	SHEET NO.
238	01-00130-00-BR	HENRY	14	10
F.H.W.A. REG.		ILLINOIS	PROJECT	

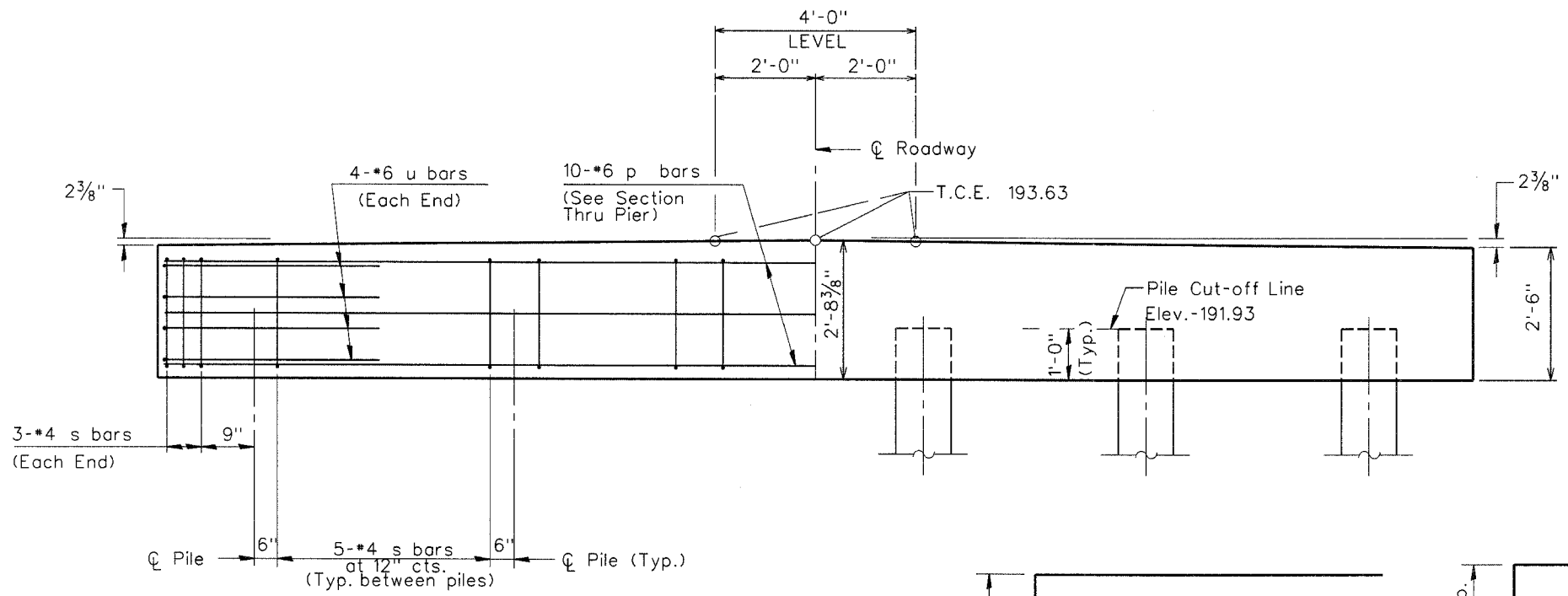
DESCRIPTION	DATE	REVISION
HENRY COUNTY BRIDGE		
SECTION 01-00130-00-BR (FAS 1232)		
PILE BENT PIER		



PLAN



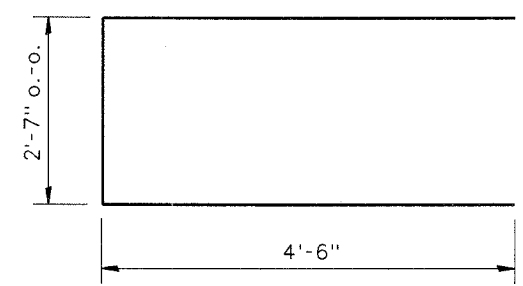
SECTION THRU PIER
(At Right Angles to ϕ Pier)



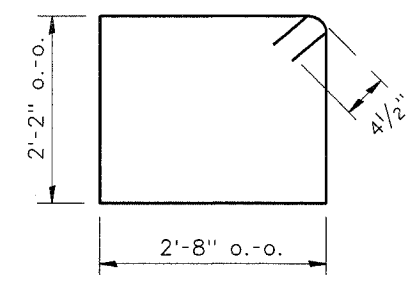
ELEVATION

DESIGN STRESSES

$f'_c = 3,500$ psi
 $f_y = 60,000$ psi



BAR u1



BAR s1

BILL OF MATERIAL FOR ONE PIER

Bar	No.	Size	Length	Shape
p	10	#6	29'-3"	—
s ₁	31	#4	10'-5"	□
u ₁	8	#6	11'-7"	□
Concrete Structures			8.6 Cu. Yds.	
Reinforcement Bars			790 Pound	



Sodermann and Associates, Inc.
340 NORTH NIEL STREET
POST OFFICE BOX 357
CHAMPAIGN, ILLINOIS 61824-0357
TEL: 717/352-7922
FAX: 717/352-7922
ENGINEERING / ANALYSIS / MANAGEMENT

DES. KEB	CHK. KEB	APP. KEB
DRN. JAB	CHK. KEB	APP. KEB

PROJECT NO. 07066

DATE 03.01.07

SHEET