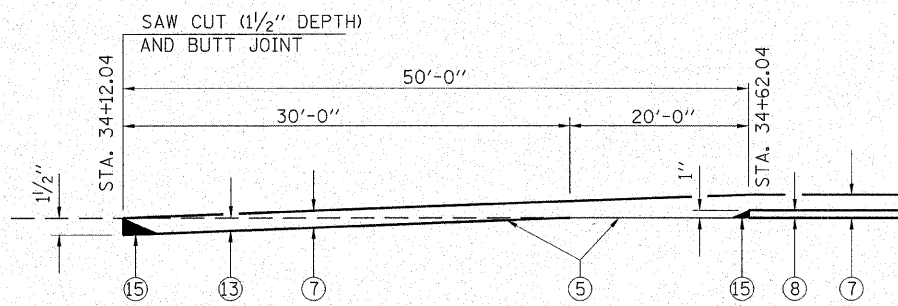


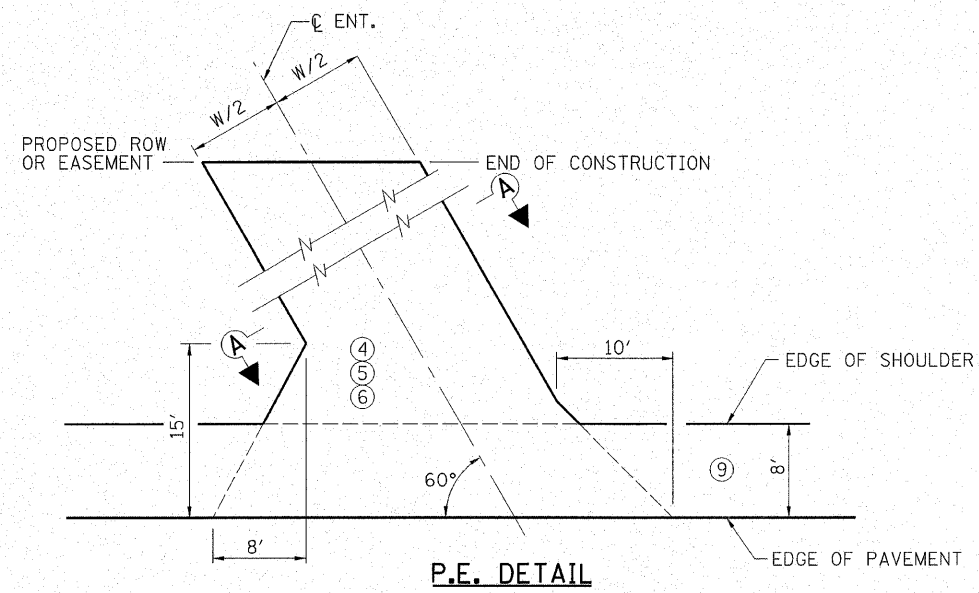
ROUTE NO.	SECTION	COUNTY	TOTAL SHEETS	SHEET NO.
C.H. 15	96-00044-00-BR	KENDALL	55	12
FED. ROAD DIST. NO.		ILLINOIS	FED. AID PROJECT-	
CONTRACT NO. 87325				

LEGEND

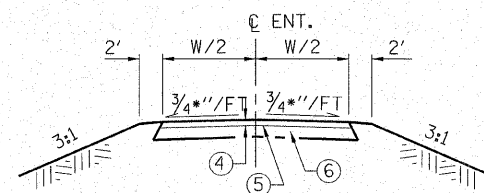
- ① EXISTING PAVEMENT - 6" BITUMINOUS, 3/4" SEAL COAT, 9" AGGREGATE BASE
- ② HOT-MIX ASPHALT BINDER COURSE, IL-19.0, N50 (5")
- ③ SUB-BASE GRANULAR MATERIAL, TYPE B 12"
- ④ INCIDENTAL HOT-MIX ASPHALT SURFACING (2")
- ⑤ BITUMINOUS MATERIALS (PRIME COAT)
- ⑥ AGGREGATE BASE COURSE, TYPE B (8")
- ⑦ HOT-MIX ASPHALT SURFACE COURSE, MIX "D", N50 (1 1/2")
- ⑧ LEVELING BINDER (MACHINE METHOD), N50 (1" MIN.)
- ⑨ HOT-MIX ASPHALT SHOULDERS (6")
- ⑩ BRIDGE APPROACH PAVEMENT
- ⑪ BRIDGE APPROACH PAVEMENT CONNECTOR (FLEXIBLE)
- ⑫ SEE STANDARD 420401 FOR SUB-BASE GRANULAR MATERIAL INCLUDED IN THE COST OF BRIDGE APPROACH PAVEMENT
- ⑬ HOT-MIX ASPHALT SURFACE REMOVAL - BUTT JOINT
- ⑭ EXISTING AGGREGATE SHOULDERS
- ⑮ TEMPORARY RAMP
- ⑯ PIPE UNDERDRAIN 6"



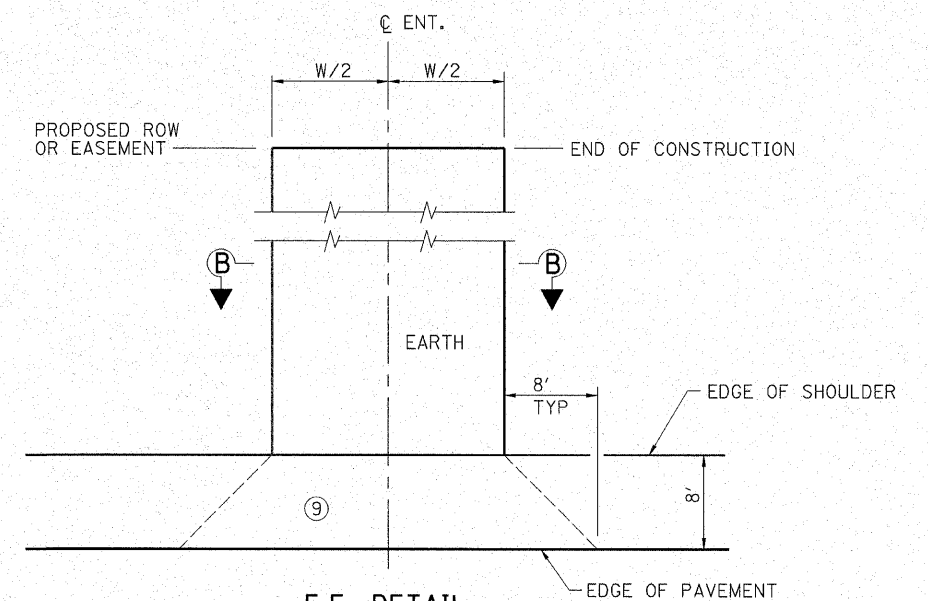
BUTT JOINT DETAIL



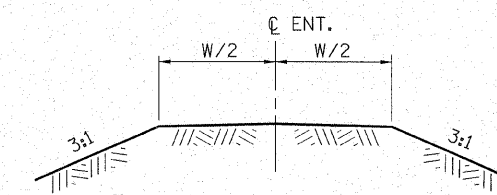
P.E. DETAIL




SECTION A-A



F.E. DETAIL



SECTION B-B

	HAMPTON, LENZINI & RENWICK, INC. CIVIL & STRUCTURAL ENGINEERS		ENTRANCE DETAILS SECTION 96-00044-00-BR FOX RIVER DRIVE KENDALL COUNTY
	3085 STEVENSON DRIVE, SUITE 201 SPRINGFIELD, ILLINOIS 62703 (217) 546-3400		
ELGIN • SPRINGFIELD • DUQUOIN	PROJECT NUMBER: 12-06-0030-1	DATE: 03-12-07	
DESIGNED: L.F.S.	CHECKED: S.W.M.	DRAWN: W.J.S.	