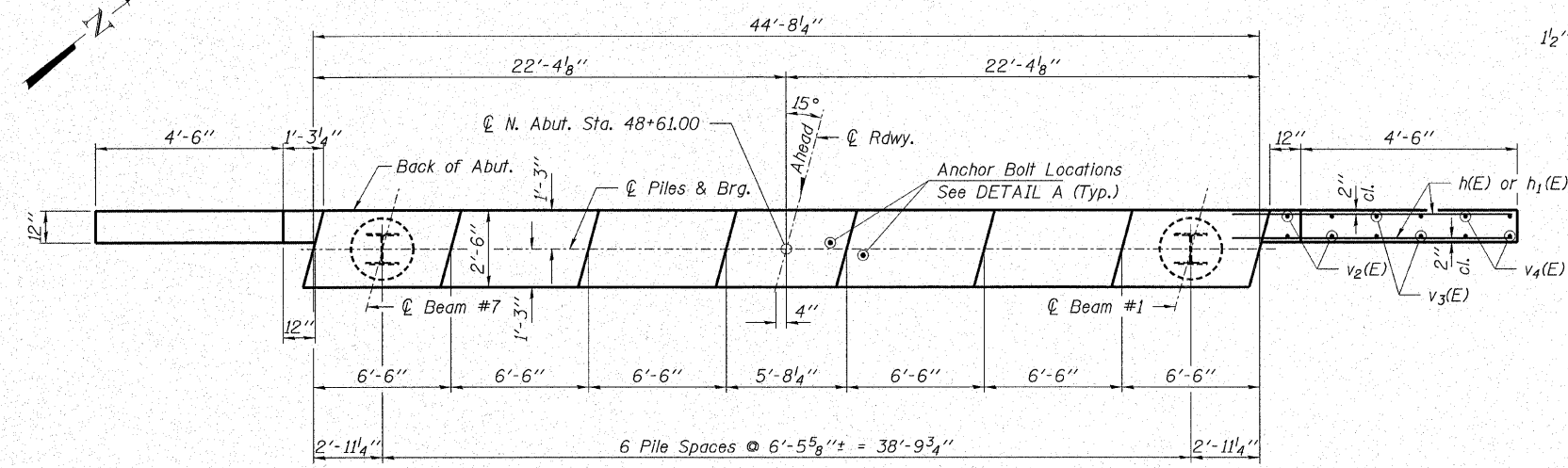
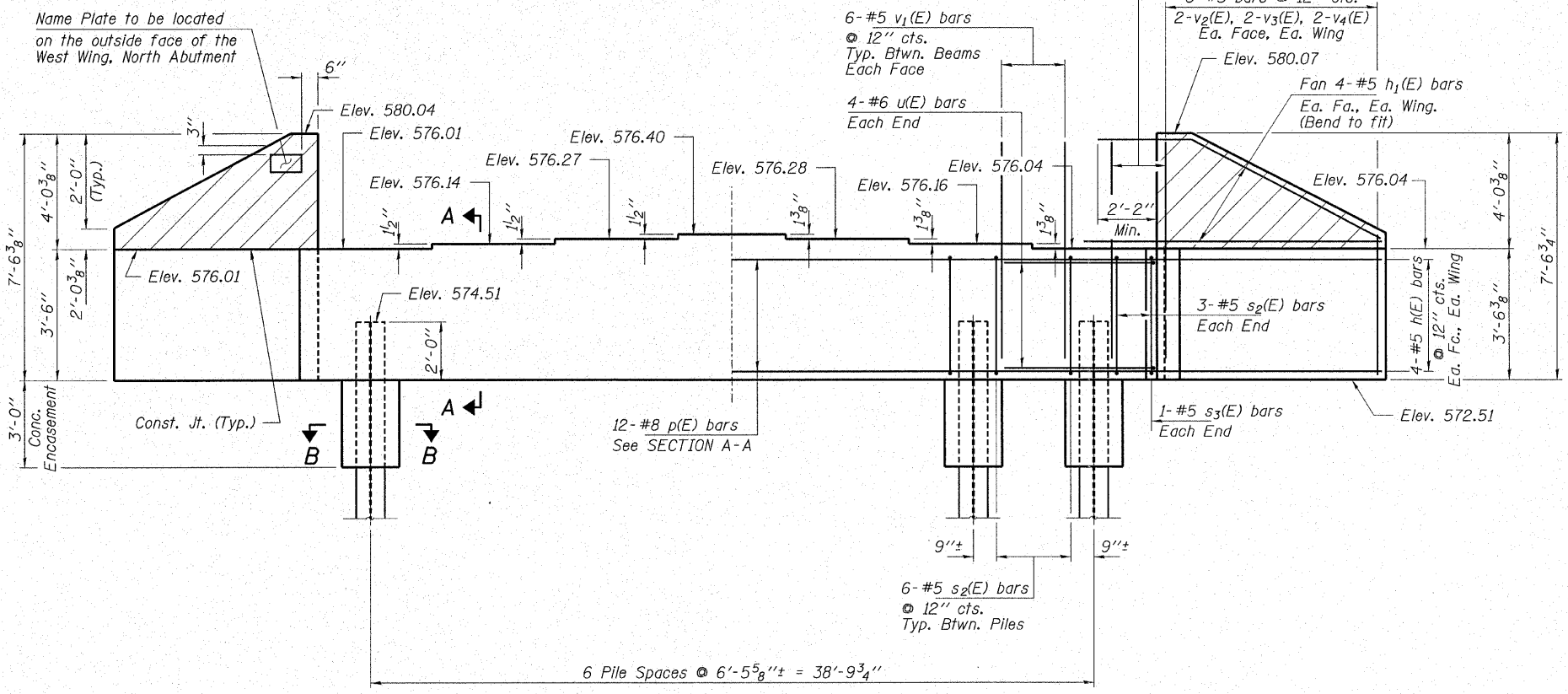


CONTRACT NO. 87325



PLAN



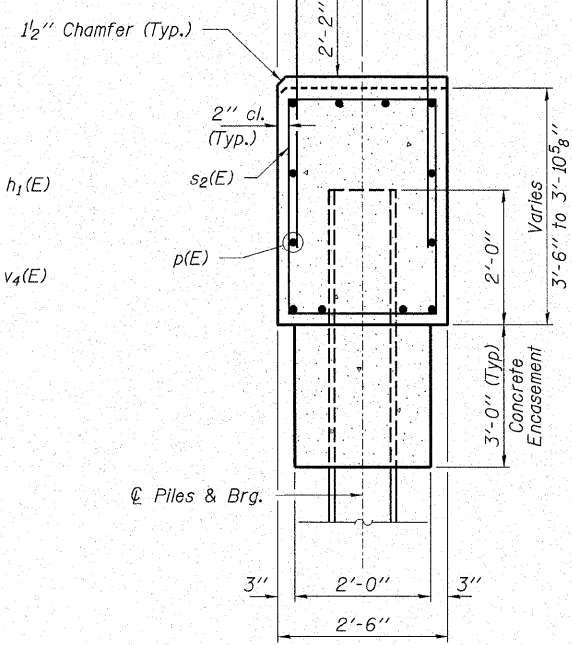
ELEVATION
(Looking North)

PILE DATA

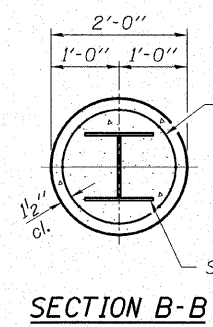
Type ----- Steel HP12x53 w/Pile shoes
 No. Req'd. (N. Abut.) ----- 7
 Nominal Req'd Bearing ----- 418 Kips/Pile
 Allowable Resistance Available ----- 139 Kips/Pile
 Est. Length ----- 24 Ft/Pile

Notes:
 The Steel H-piles shall be according to AASHTO M270 Grade 50.

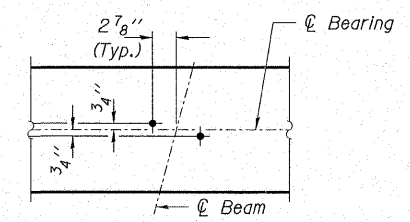
Notes:
 Hatched areas to be poured with the deck after beams are in place. Quantity included in Concrete Superstructure.
 Quantity of concrete included in "Concrete Superstructure" on sheet 44.
 Reinforcement bars designated (E) shall be epoxy coated.
 All edges shall have standard 3/4" chamfer except as noted.
 Pour steps monolithically with cap.



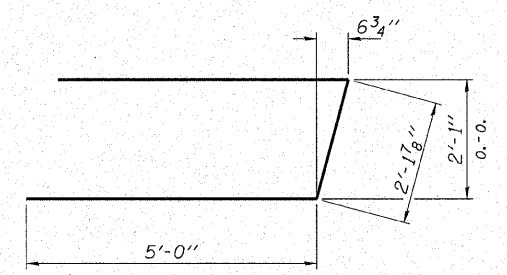
SECTION A-A



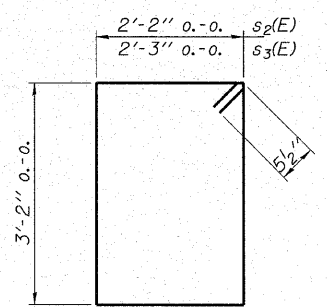
SECTION B-B



DETAIL A



BAR u(E)



BARS s2(E) & s3(E)

Welded wire fabric
 6 x 6-W4.0 x W4.0
 weighing 58#/100 sq. ft.
 The cost of Excavation and
 Reinforcement is included
 in the cost of Concrete
 Encasement. Forms for
 Encasement may be omitted
 when soil conditions will permit.

BILL OF MATERIAL - N. ABUT.

BAR	NO.	SIZE	LENGTH	SHAPE
h(E)	16	#5	7'-9"	—
h1(E)	16	#5	8'-3"	—
p(E)	12	#8	44'-4"	—
s2(E)	42	#5	11'-7"	□
s3(E)	2	#5	11'-9"	□
u(E)	8	#6	12'-2"	—
v1(E)	84	#5	4'-6"	—
v2(E)	8	#5	7'-1"	—
v3(E)	8	#5	6'-2"	—
v4(E)	8	#5	5'-4"	—
Concrete Structures		Cu. Yd.	16.6	
Reinforcement Bars, Epoxy Coated		Pound	2,915	
Steel Piles HP12x53		Foot	168	
Concrete Encasement		Cu. Yd.	2.5	
Pile Shoes		Each	7	
Structure Excavation		Cu. Yd.	12	

HAMPTON, LENZINI & RENWICK, INC.
 CIVIL & STRUCTURAL ENGINEERS

3085 STEVENSON DRIVE, SUITE 201
 SPRINGFIELD, ILLINOIS 62703
 (217) 546-3400

ELGIN • SPRINGFIELD

PROJECT NUMBER: 12-06-0030-1 DATE: 03/12/07
 DESIGNED: S.W.M. CHECKED: M.G.B. DRAWN: D.B.

NORTH ABUTMENT
SECTION 96-00044-00-BR
 FOX RIVER DRIVE / C.H. 15
 KENDALL COUNTY
STRUCTURE NO. 047-3150 / STATION 49+62