

ROUTE NO.	SECTION	COUNTY	TOTAL SHEETS	SHEET NO.
FAS 389	93-00049-00-BR	PEORIA	99	3
FED. ROAD DIST. NO.	7	ILLINOIS PROJECT:	BRS-0389(104)	
CONTRACT NO. 89323				

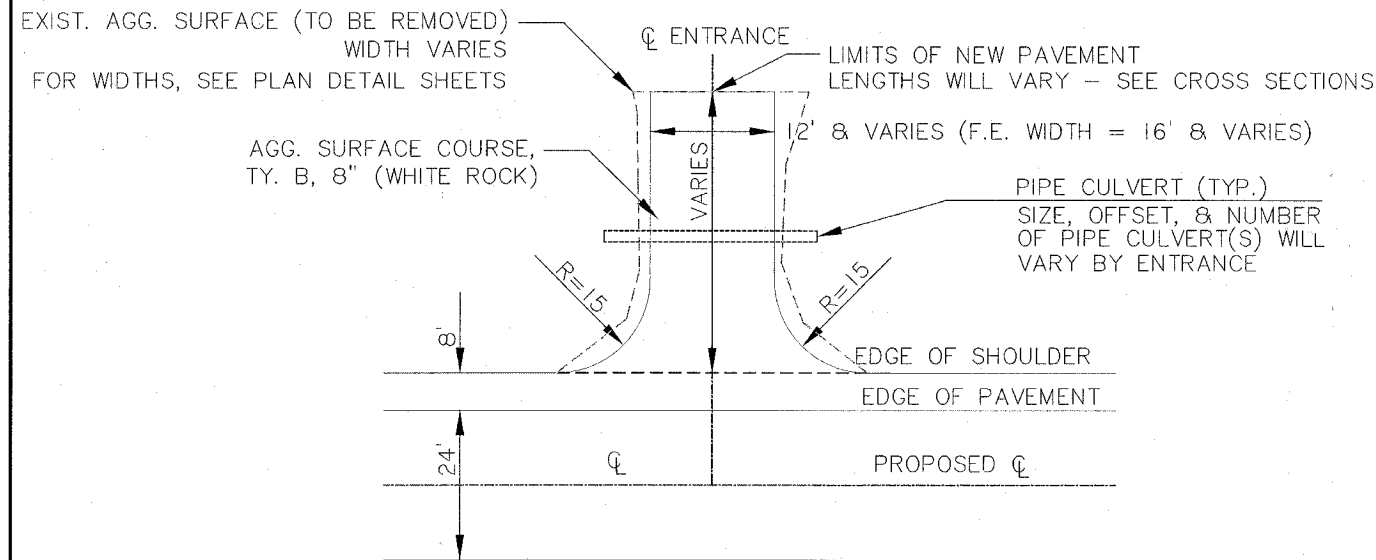
# BITUMINOUS MIXTURE REQUIREMENTS:

THE FOLLOWING MIXTURE REQUIREMENTS ARE APPLICABLE FOR THIS PROJECT:

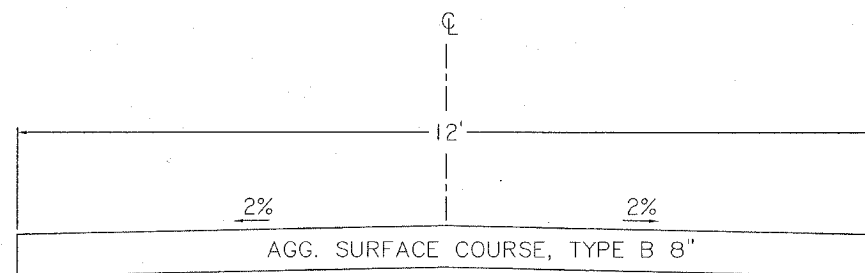
LOCATION(S):	STA. 46+68.78
MIXTURE USE(S):	PRIVATE DRIVEWAY
PG	PG64-22
RAP %: (MAX) **	15%
DESIGN AIR VOIDS:	4.0% @ Ndes = 50
MIXTURE COMPOSITION: (GRADATION MIXTURE)	IL-12.5 OR IL-9.5
FRICTION AGGREGATE:	MIXTURE D

\*\* IF >15% RAP IS USED, THE CONTRACTOR MAY BE REQUIRED TO USE A SOFTER GRADE OF ASPHALT AS DETERMINED BY THE MATERIALS ENGINEER.

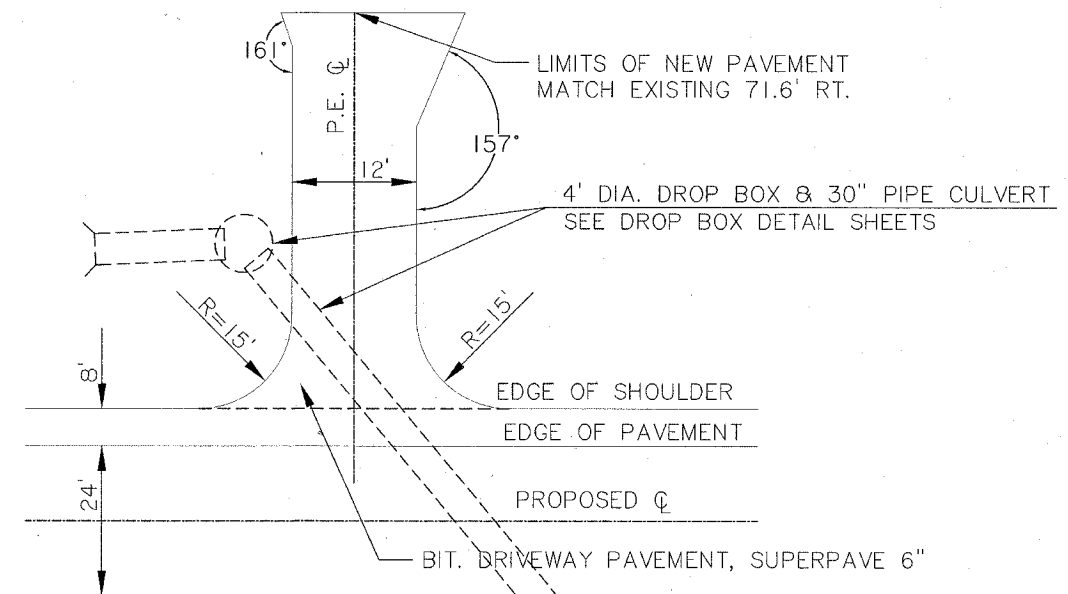
TYPICAL FIELD OR PRIVATE ENTRANCE  
(SEE PLAN DETAIL SHEETS FOR FURTHER DETAIL)



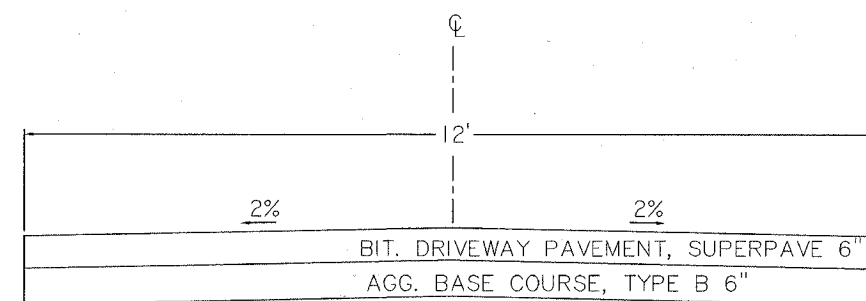
TYPICAL FIELD OR PRIVATE ENTRANCE  
CROSS - SECTION VIEW



PRIVATE ENTRANCE  
STA. 46+68.78 RIGHT  
(SEE PLAN DETAIL SHEETS FOR FURTHER DETAIL)



PRIVATE ENTRANCE  
STA. 46+68.78 RIGHT  
CROSS - SECTION VIEW



PROP. DRIVEWAY TYP. SECTIONS  
PEORIA COUNTY  
STRUCTURE NO. 072-3145