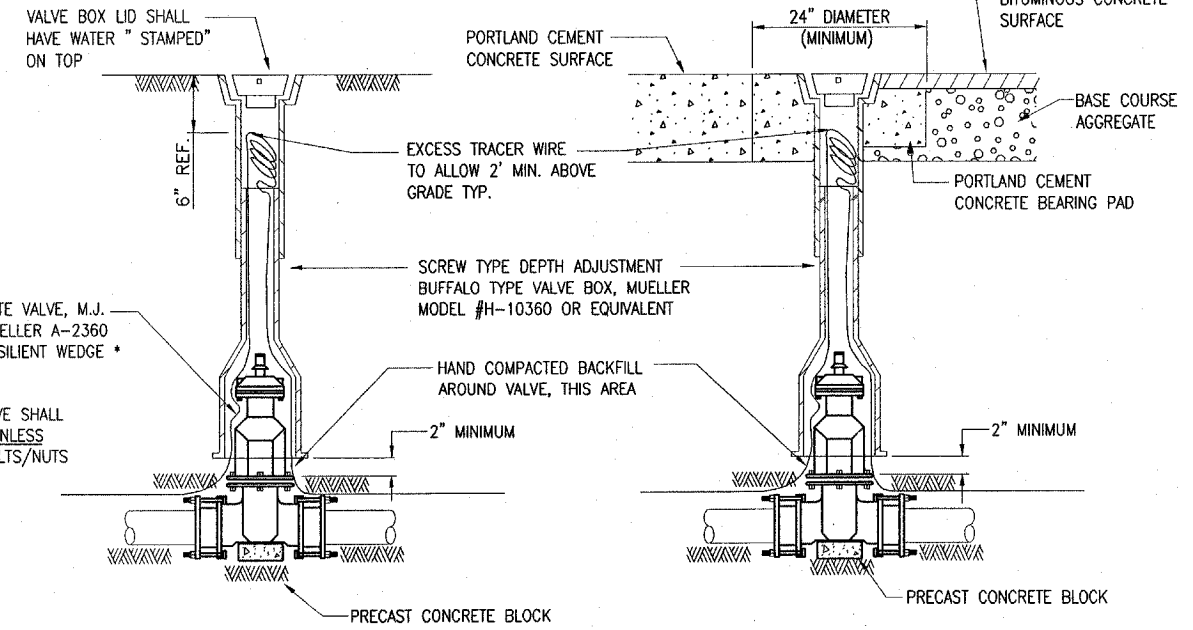
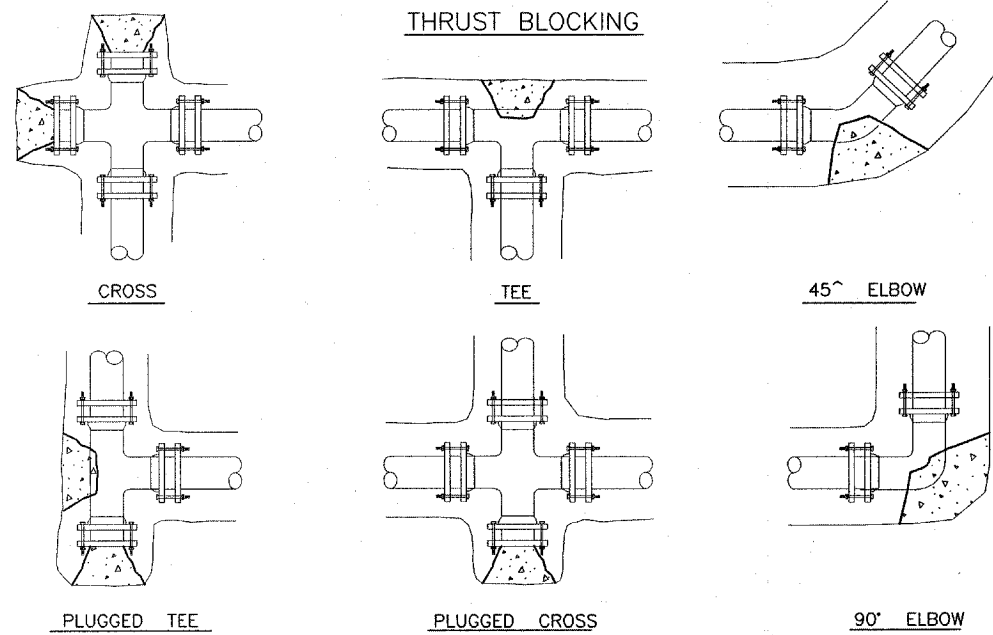


WATER SERVICE AND METER DETAIL



VALVE BOX INSTALLATION

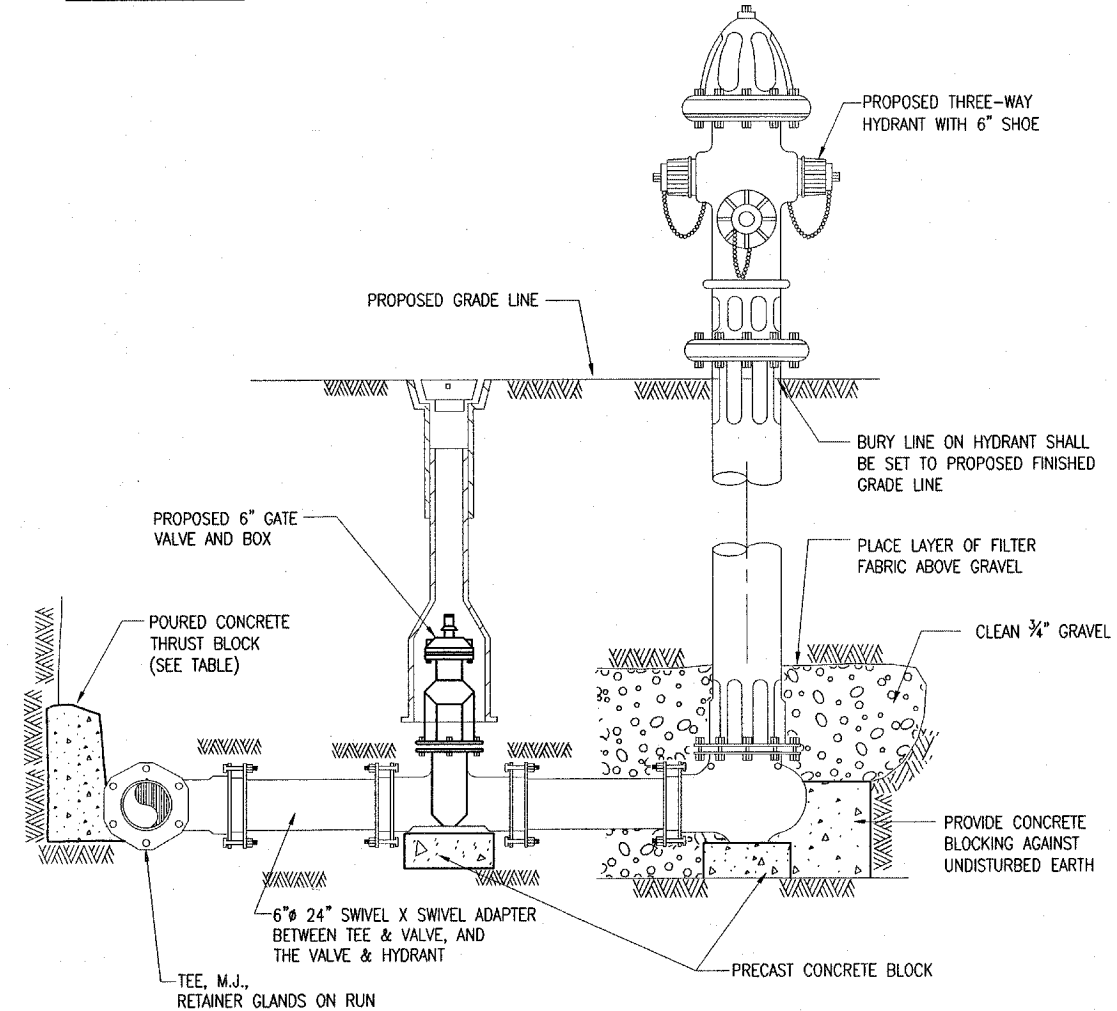
VALVE BOX INSTALLATION IN PERMANENT SURFACE ROADWAYS



BEARING AREA OF THRUST BLOCKS	
PLUG, TEE, 45°, 22 1/2°, 11 1/4°	
WATER MAIN	BLOCKS
4"	1.7 SF
6"	3.4 SF
8"	5.8 SF
10"	8.7 SF

BEARING AREA OF THRUST BLOCKS	
90°	
WATER MAIN	BLOCKS
4"	2.3 SF
6"	4.8 SF
8"	8.2 SF
10"	12.4 SF

NOTE: BOTH THRUST BLOCKING AND RETAINER GLANDS WILL BE USED ON ALL FITTINGS. AS NOTED IN SPECIFICATIONS, NO EXTRA COMPENSATION WILL BE ALLOWED.



HYDRANT AUXILIARY VALVE AND BOX INSTALLATION

- * ALL BLOCKS TO BE CLASS SI CONCRETE (3500 PSI / 14 DAYS)
- * MINIMUM BEARING AREA (SEE CHART)
- * ASSUMES 2000 PSI BEARING FOOTING
- * CONTRACTOR RESPONSIBLE FOR ACTUAL SOIL CONDITION AND THRUST BLOCK ADEQUACY
- * 4" W.M. SHALL HAVE A MIN. OF 0.10 C.Y. OF CONCRETE
- * 6" W.M. SHALL HAVE A MIN. OF 0.20 C.Y. OF CONCRETE
- * 8" W.M. SHALL HAVE A MIN. OF 0.30 C.Y. OF CONCRETE
- * 10" W.M. SHALL HAVE A MIN. OF 0.46 C.Y. OF CONCRETE
- * ALL VERTICAL FITTINGS SHALL BE RODDED TOGETHER MIN?" RODS.

- * ALL BLOCKS SHALL BE A MINIMUM OF 12" THICK, PLACED BETWEEN SOLID GROUND AND THE FITTINGS, AND SHALL BE ANCHORED IN SUCH A MANNER THAT PIPE AND FITTING JOINTS WILL BE ACCESSIBLE FOR REPAIRS. PLASTIC SHEETING (3 MIL POLYETHYLENE) SHALL BE LAID BETWEEN CONCRETE AND FITTING.
- * RETAINER GLANDS SHALL BE USED IN CONJUNCTION WITH THRUST BLOCKING. (SEE SPECIFICATIONS FOR TABLE)
- * MINIMUM TEST PRESSURE = 150 PSI.

- * VERTICAL TIE DOWN WITH CONCRETE.
 - MINIMUM 1/2" REBAR WITH 18" MIN. EMBEDMENT.
 - AT PLUG, TEE, & 45° BEND FOR 8" PIPE, MINIMUM OF 78.0 C.F.
 - AT 90° BEND FOR 8" PIPE, MINIMUM OF 109.3 C.F.

REVISION	
DATE	



Hanson No.	06P2008	PLAN	WATER DET 2.DWG.
Scale	04/06/07	LAYOUT	04/05/07
DATE		DRAWN	04/05/07
		REVIEWED	04/05/07

Phone: (309) 691-0902
 Fax: (309) 691-1327
 www.hanson-inc.com
 Offices Nationwide



LANCATER RD. OVER LANARSH CREEK
 STRUCTURE NO. 072-3145
 PEORIA COUNTY, ILLINOIS