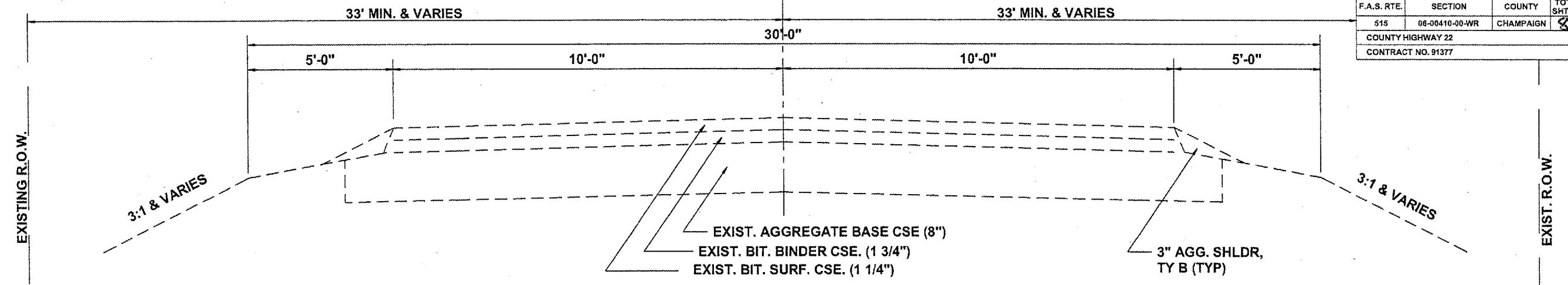
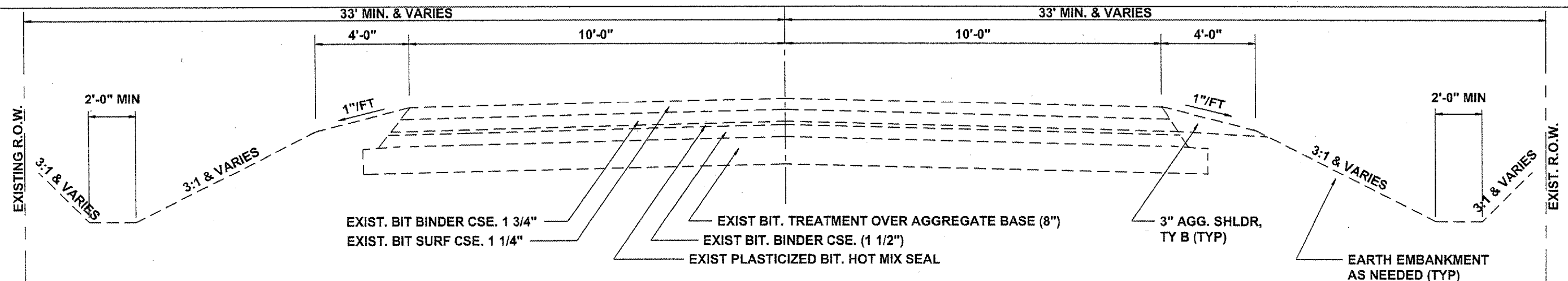


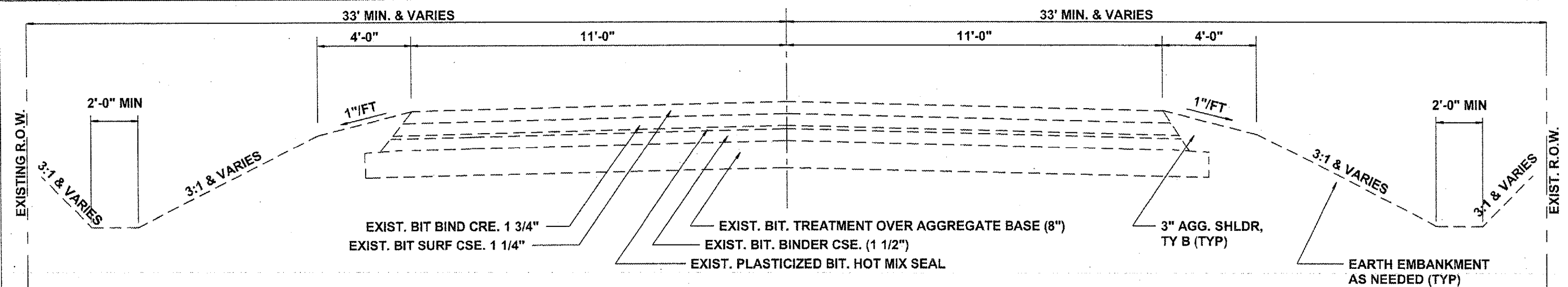
F.A.S. RTE.	SECTION	COUNTY	TOT SHTS	SHT NO
515	06-00410-00-WR	CHAMPAIGN	8	3
COUNTY HIGHWAY 22				
CONTRACT NO. 91377				



STATIONS 519+ 89.70 TO 527+ 57.56
EXISTING TYPICAL SECTION



STATIONS 100+00 TO 519+89.70
EXISTING TYPICAL SECTION



STATIONS 527+57.56 TO 551+07
EXISTING TYPICAL SECTION