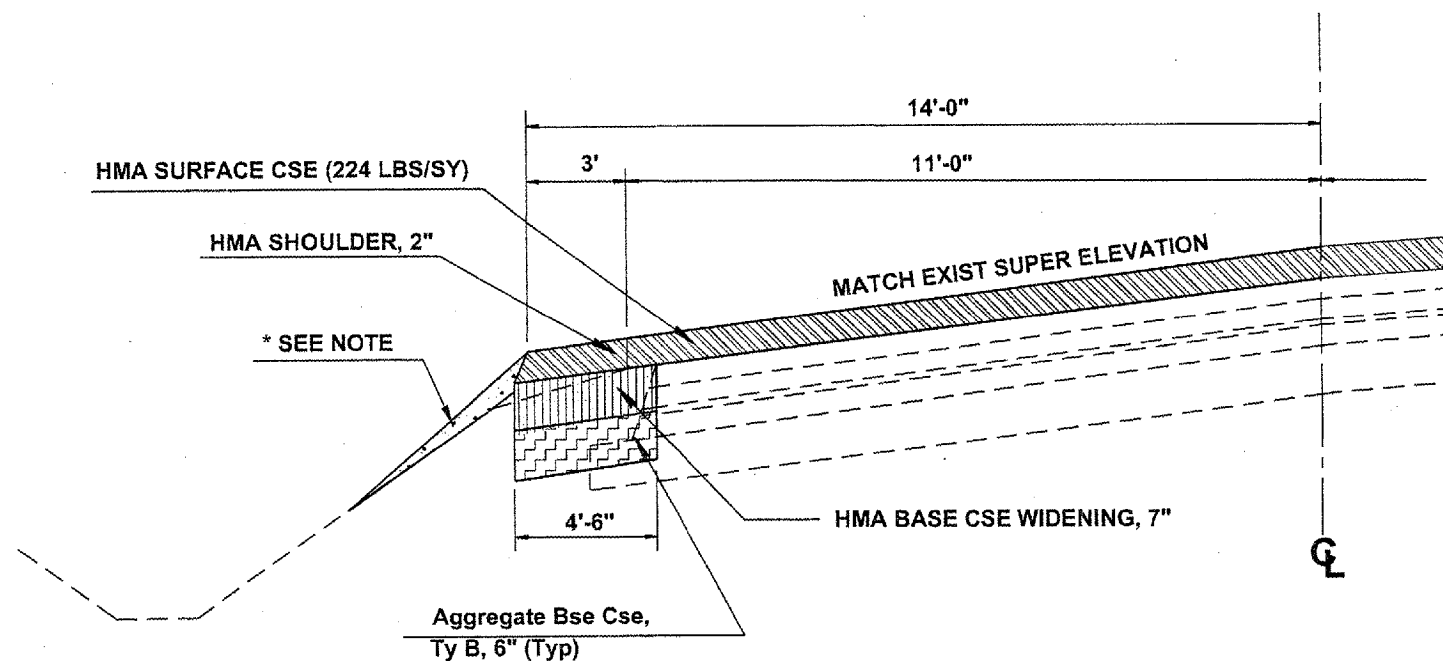


**PROPOSED PAVED SHOULDER
SUPER ELEVATION DETAIL**

RT STA. 172+65 TO STA. 177+10
RT STA. 219+62 TO STA. 227+36



**PROPOSED PAVED SHOULDER
SUPER ELEVATION DETAIL**

LT. STA. 229+70 TO STA. 236+85
LT. STA. 249+90 TO STA. 255+77

* NOTE: MATERIAL CORED OUT FROM WIDENING THROUGH SUPER ELEVATION AREAS SHALL BE PLACED ALONG THE INSIDE EDGES OF PAVEMENT AND COMPACTED AS SHOWN. ALL EXCESS MATERIAL SHALL BE DISPOSED OFFSITE BY THE CONTRACTOR. THIS WORK SHALL BE INCIDENTAL TO HMA BASE CSE WIDENING, 7".