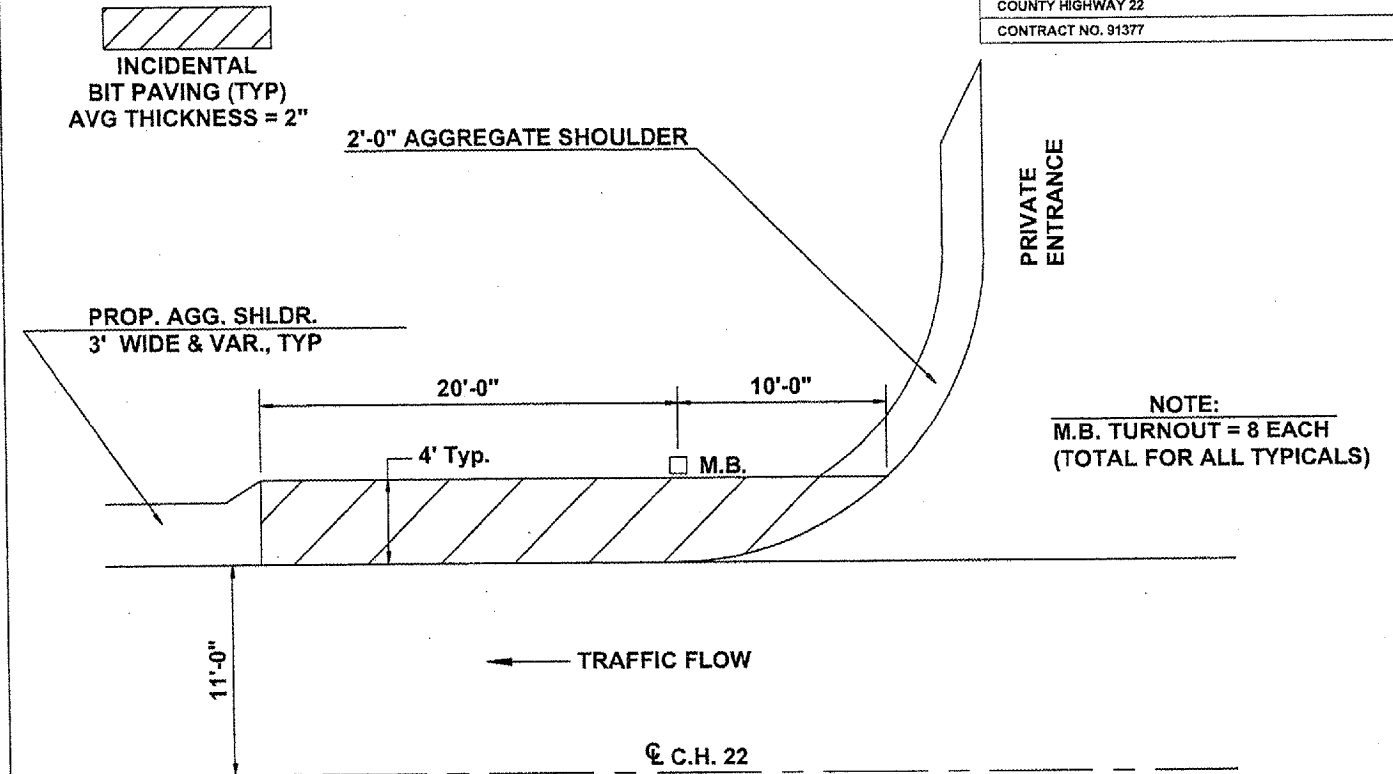
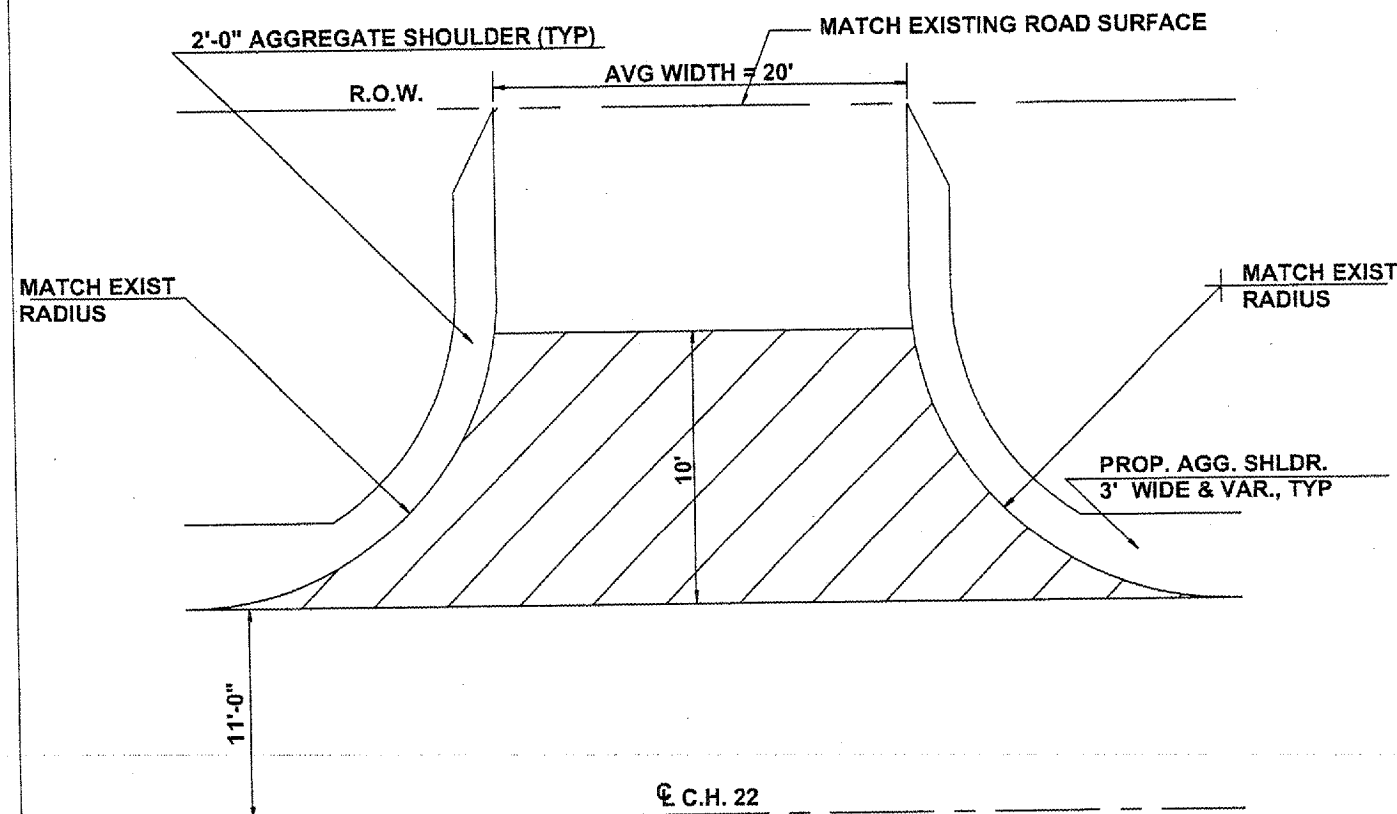


PRIVATE & COMMERCIAL ENTRANCE DETAIL
TOTAL = 36 P.E. EACH, 7 C.E. EACH

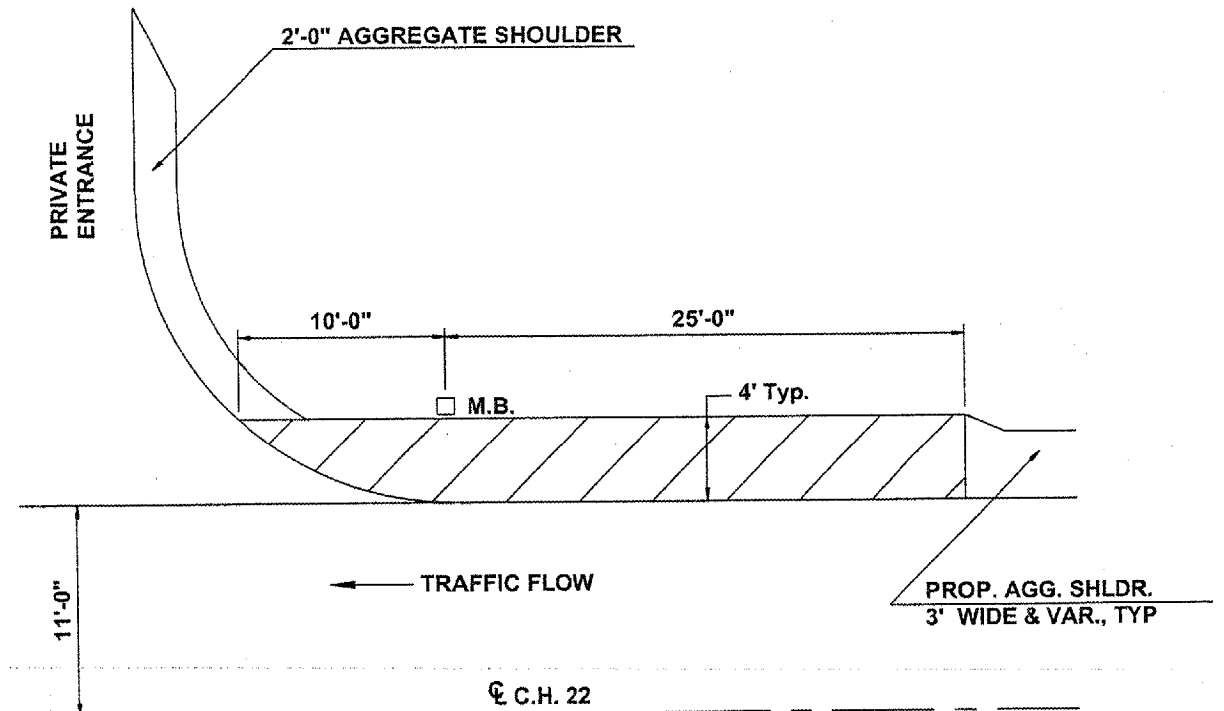


NOTE:
M.B. TURNOUT = 8 EACH
(TOTAL FOR ALL TYPICALS)

MAILBOX TURNOUT BEYOND PRIVATE ENTRANCE



SIDE ROAD RESURFACING DETAIL
TOTAL = 20 EACH



MAILBOX TURNOUT AHEAD OF PRIVATE ENTRANCE