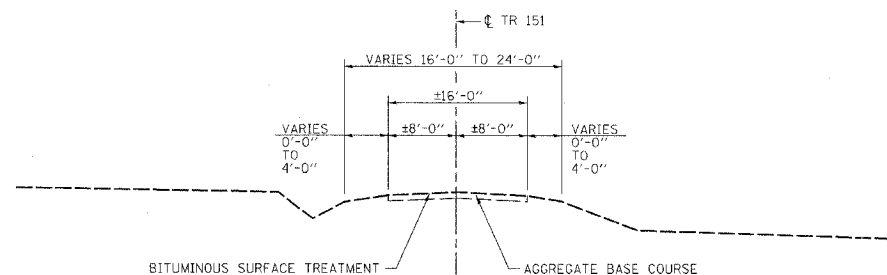


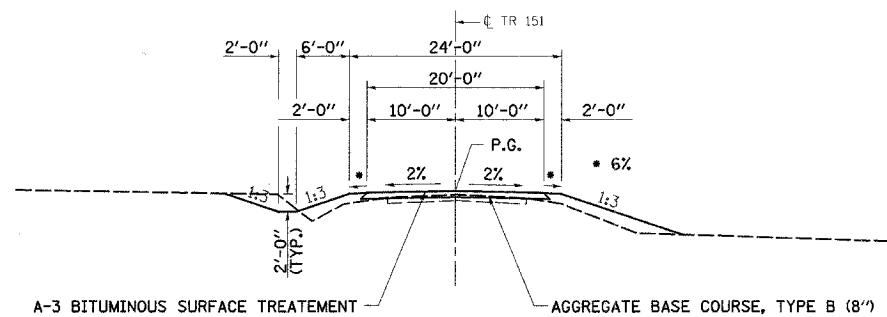
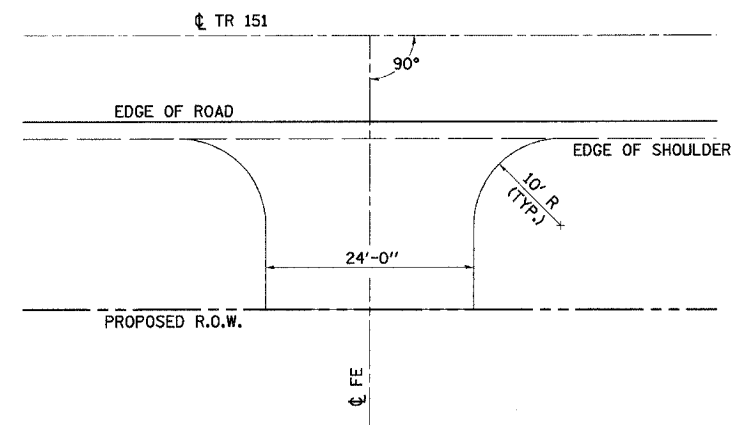
| TR. RTE. | SECTION | COUNTY | TOTAL SHEETS | SHEET NO. |
|---------------------|----------------|------------------|--------------|-----------|
| 151 | 93-08107-00-BR | CHRISTIAN | 20 | 3 |
| STA. | | TO STA. | | |
| FED. ROAD DIST. NO. | ILLINOIS | FED. AID PROJECT | | |

• BR05-021(35)



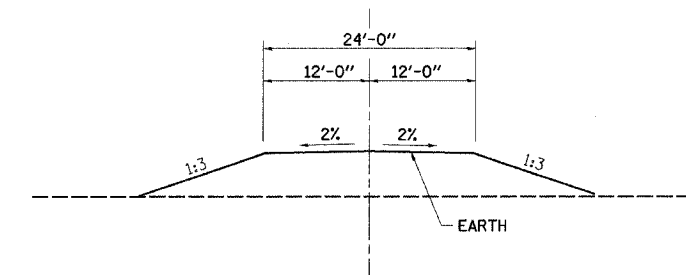
EXISTING TYPICAL ROADWAY SECTION

STA. 15+50 TO STA. 24+00



PROPOSED TYPICAL ROADWAY SECTION

STA. 16+50 TO STA. 23+00
(BRIDGE OMISSION : STA. 19+46.50 TO STA. 20+53.50)



TYPICAL FIELD ENTRANCE DETAIL

PLOT DATE = 6/14/06
FILE NAME = S:\05228\DRAWINGS\05228TYP.dgn
PLOT SCALE = 3/8"=1'-0"
REFERENCE = .REF.
OPERATOR = gmg

| REVISIONS | |
|-----------|------|
| NAME | DATE |
| | |
| | |
| | |
| | |
| | |
| | |
| | |
| | |
| | |

ILLINOIS DEPARTMENT OF TRANSPORTATION
TYPICAL SECTIONS & DETAILS

TR 151 OVER BRUSHY BRANCH CREEK
SECTION 93-08107-00-BR
CHRISTIAN COUNTY

SCALE: VERT. _____
HORIZ. _____

DATE _____

DRAWN BY: BISHOP
CHECKED BY: SUTHEARD

COMPUTER FILE NO.
05228TYP

PROJECT 05228
6/15/06 - MDS

GREENE & BRADFORD, INC.
OF SPRINGFIELD
CONSULTING ENGINEERS
PROFESSIONAL ENGINEER
NO. 044-0078
1000 W. BROADWAY, SUITE 200, SPRINGFIELD, ILLINOIS 62760
PH: 217-223-1227 FAX: 217-223-1228