

STATE OF ILLINOIS
DEPARTMENT OF TRANSPORTATION

ROUTE NO.	SECTION	COUNTY	TOTAL SHEETS	SHEET NO.
TR 151	*	CHRISTIAN	20	10
FED. ROAD DIST. NO.	ILLINOIS	FED. AID PROJECT		
			* 93-08107-00-BR	

SHEET NO. 6
9 SHEETS

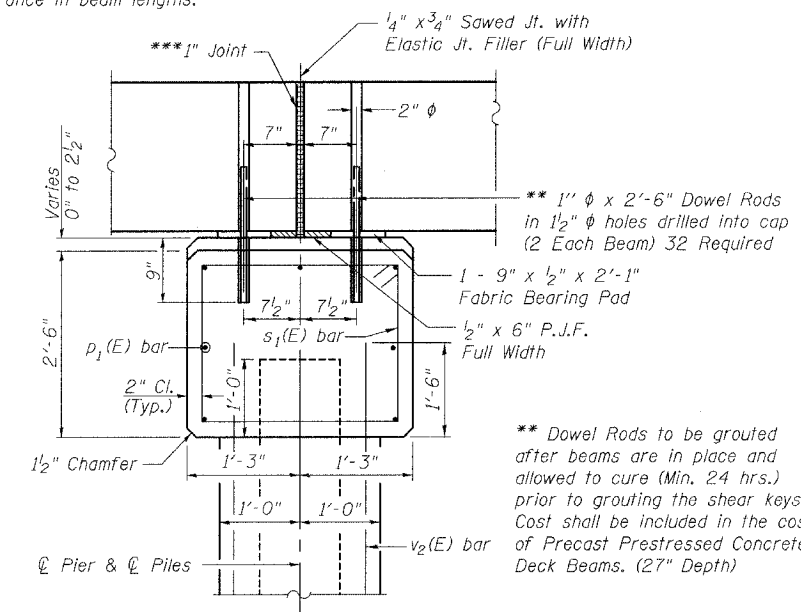
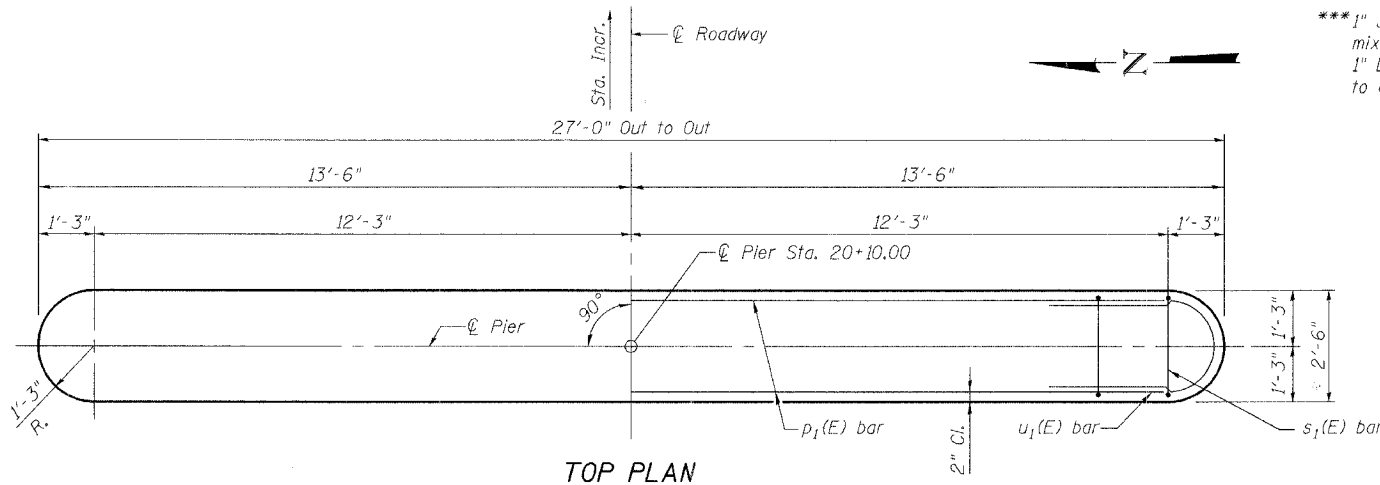
PILE DATA

Type: 12" Φ Metal Shell (1/4" shell)
Capacity: 45 Tons
Est. Length: 30'
No. Required: 5 + 1 Test Pile

NOTES

Space reinforcement bars in cap to miss dowel rods.

*** 1" Jt. shall be packed with a very dry mix of 2:1 sand and P.C. mortar.
1" Dimension may vary plus or minus to accommodate tolerance in beam lengths.



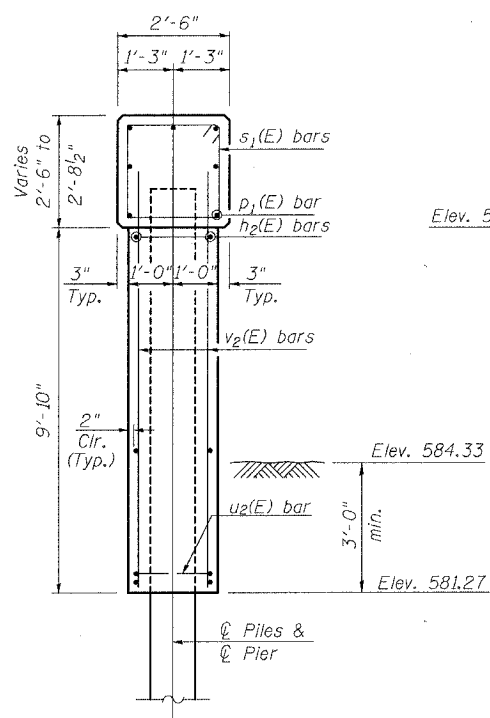
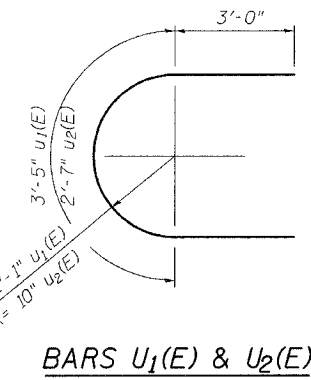
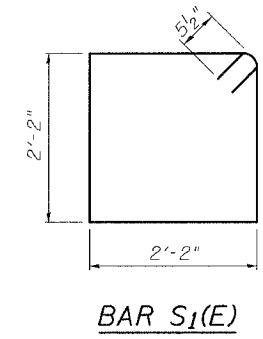
** Dowel Rods to be grouted after beams are in place and allowed to cure (Min. 24 hrs.) prior to grouting the shear keys. Cost shall be included in the cost of Precast Prestressed Concrete Deck Beams. (27" Depth)

**SECTION THRU PIER ONE PIER
BILL OF MATERIAL**

BAR	NO.	SIZE	LENGTH	SHAPE
$h_2(E)$	20	#5	24'-6"	—
$p_1(E)$	7	#7	24'-6"	—
$s_1(E)$	22	#4	9'-7"	□
$u_1(E)$	6	#5	9'-5"	U
$u_2(E)$	20	#5	8'-7"	U
$v_2(E)$	56	#5	11'-2"	—

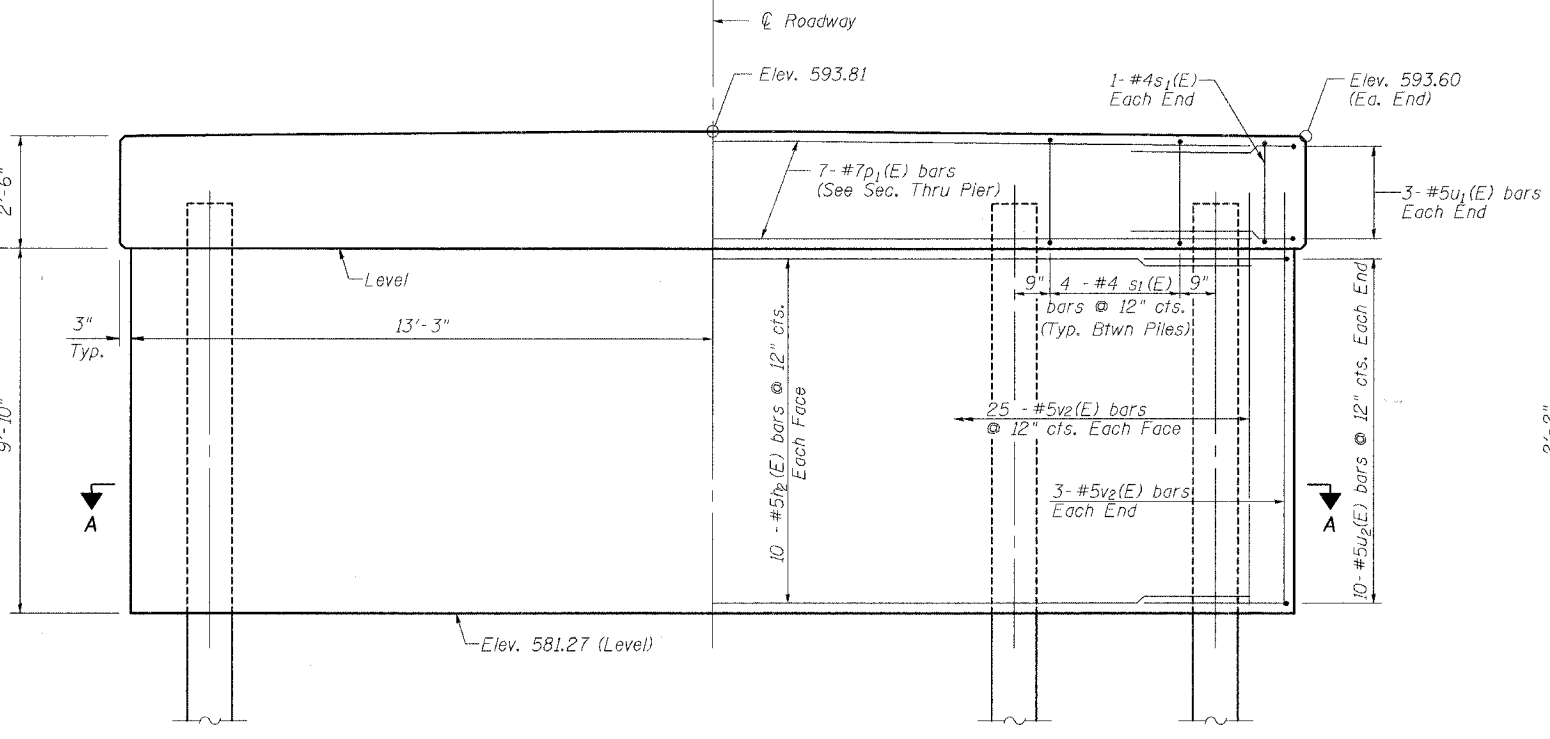
Concrete Structures	Cu. Yd.	23.6
Reinforcement Bars, Epoxy Coated	Pound	1890
Furnishing Metal Shell Piles 12"	Foot	150
Driving Piles	Foot	150
Test Pile Metal Shells	Each	1
Structure Excavation	Cu. Yd.	21
Underwater Structure Excavation Protection Location 1 (Pier)	Each	1

Reinforcement bars designated (E) shall be epoxy coated.

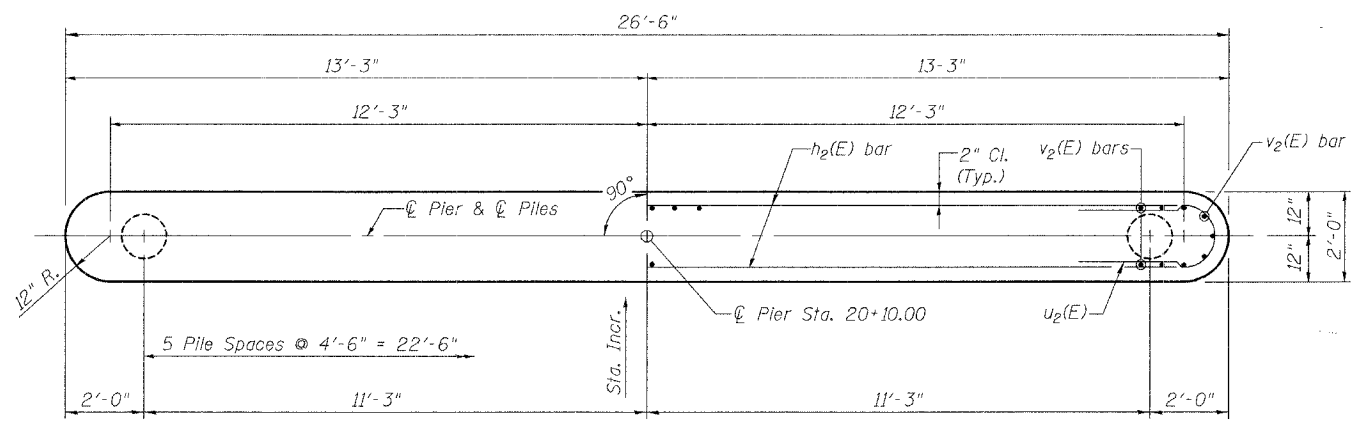


SEC THRU PIER

Note:
Hard driving may be encountered during pile driving operations. The Contractor shall provide the appropriate driving equipment for soil conditions indicated in the boring logs.



ELEVATION



SEC A-A

REVISIONS	
NAME	DATE

ILLINOIS DEPARTMENT OF TRANSPORTATION
PIER
TR 151 OVER BRUSHY BRANCH CREEK
SECTION 93-08107-00-BR
CHRISTIAN COUNTY
STATION 20+00.00
S.N. 011-3405

SCALE: VERT. _____
HORIZ. _____
DATE: 4/8/06

DRAWN BY: LANDREY
DESIGNED BY: MATHUR
CHECKED BY: TRELLO

GREENE & BRADFORD, INC.
OF SPRINGFIELD
REGISTERED PROFESSIONAL ENGINEERS
ILLINOIS LICENSE NO. 021-000001
PROFESSIONAL SEAL THE STATE OF ILLINOIS
2017-08-04, 2017-08-07, P. 1, 2, 3, 4, 5, 6, 7, 8, 9, 10, 11, 12, 13, 14, 15, 16, 17, 18, 19, 20, 21, 22, 23, 24, 25, 26, 27, 28, 29, 30, 31, 32, 33, 34, 35, 36, 37, 38, 39, 40, 41, 42, 43, 44, 45, 46, 47, 48, 49, 50, 51, 52, 53, 54, 55, 56, 57, 58, 59, 60, 61, 62, 63, 64, 65, 66, 67, 68, 69, 70, 71, 72, 73, 74, 75, 76, 77, 78, 79, 80, 81, 82, 83, 84, 85, 86, 87, 88, 89, 90, 91, 92, 93, 94, 95, 96, 97, 98, 99, 100

COMPUTER FILE NO.
SN0113405:06
PROJECT 05228
6/27/06-MML

FILE NAME = J:\05228\DRAWINGS\SN0113405\SN0113405.dgn
PLOT SCALE = 0.0833
PLOT DATE = 8/14/2006
OPERATOR = mitchell