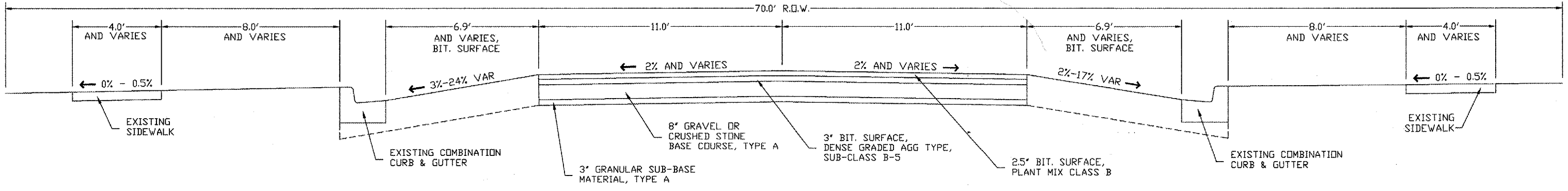
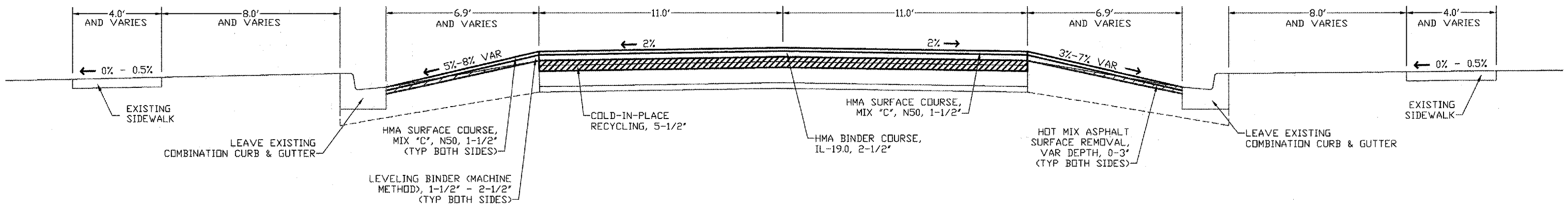


ROUTE	PSBA PROJECT NO.	SECTION	COUNTY	SHEET NO.	TOTAL SHEETS
FAS-1600	R-01-023	05-00012-00-RS	HANCOCK	4	43

TYPICAL CROSS-SECTIONS



EXISTING TYPICAL SECTION
STATION 0+22.79 - 6+31.29



PROPOSED TYPICAL SECTION
STATION 0+22.79 - 1+95.41