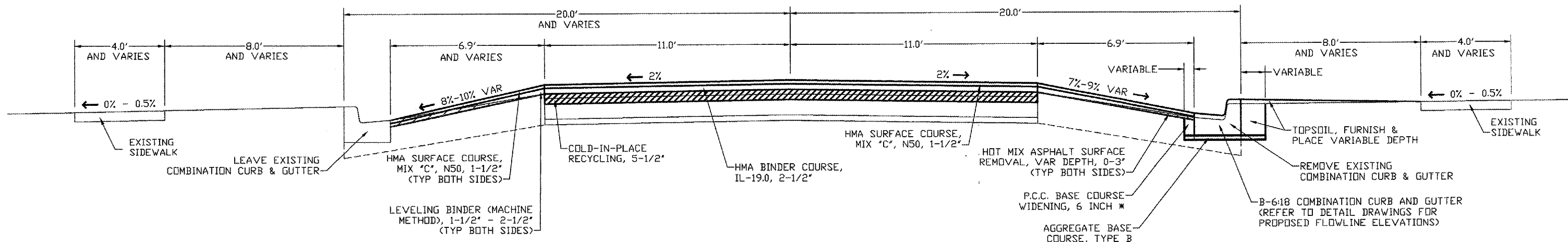


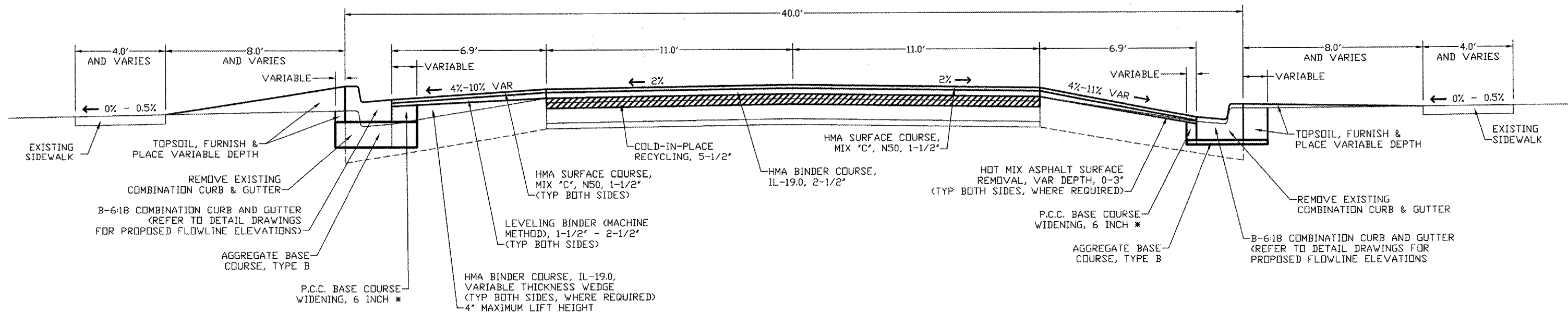
ROUTE	PERA PROJECT NO.	SECTION	COUNTY	SHEET NO.	TOTAL SHEETS
FAS-1600	R-01-023	05-00012-00-RS	HANCOCK	5	43

# TYPICAL CROSS-SECTIONS



**PROPOSED TYPICAL SECTION**  
STATION 1+95.41 - 2+46.10

\* NOTE: EARTH EXCAVATION (WIDENING) AND P.C.C. BASE COURSE WIDENING, 6 INCH, WILL BE REQUIRED AT LOCATIONS WHERE VARIATIONS EXIST BETWEEN THE ALIGNMENT AND WIDTH OF THE PROPOSED CURB & GUTTER AND THE EXISTING CURB & GUTTER THAT IS TO BE REMOVED. TYPICAL WIDTHS VARY FROM 0.5' ON TANGENT SECTIONS TO 4' AT SIDE STREET RADIUS RETURNS.



**PROPOSED TYPICAL SECTION**  
STATION 2+46.10 - 6+31.29

\* NOTE: EARTH EXCAVATION (WIDENING) AND P.C.C. BASE COURSE WIDENING, 6 INCH, WILL BE REQUIRED AT LOCATIONS WHERE VARIATIONS EXIST BETWEEN THE ALIGNMENT AND WIDTH OF THE PROPOSED CURB & GUTTER AND THE EXISTING CURB & GUTTER THAT IS TO BE REMOVED. TYPICAL WIDTHS VARY FROM 0.5' ON TANGENT SECTIONS TO 4' AT SIDE STREET RADIUS RETURNS.