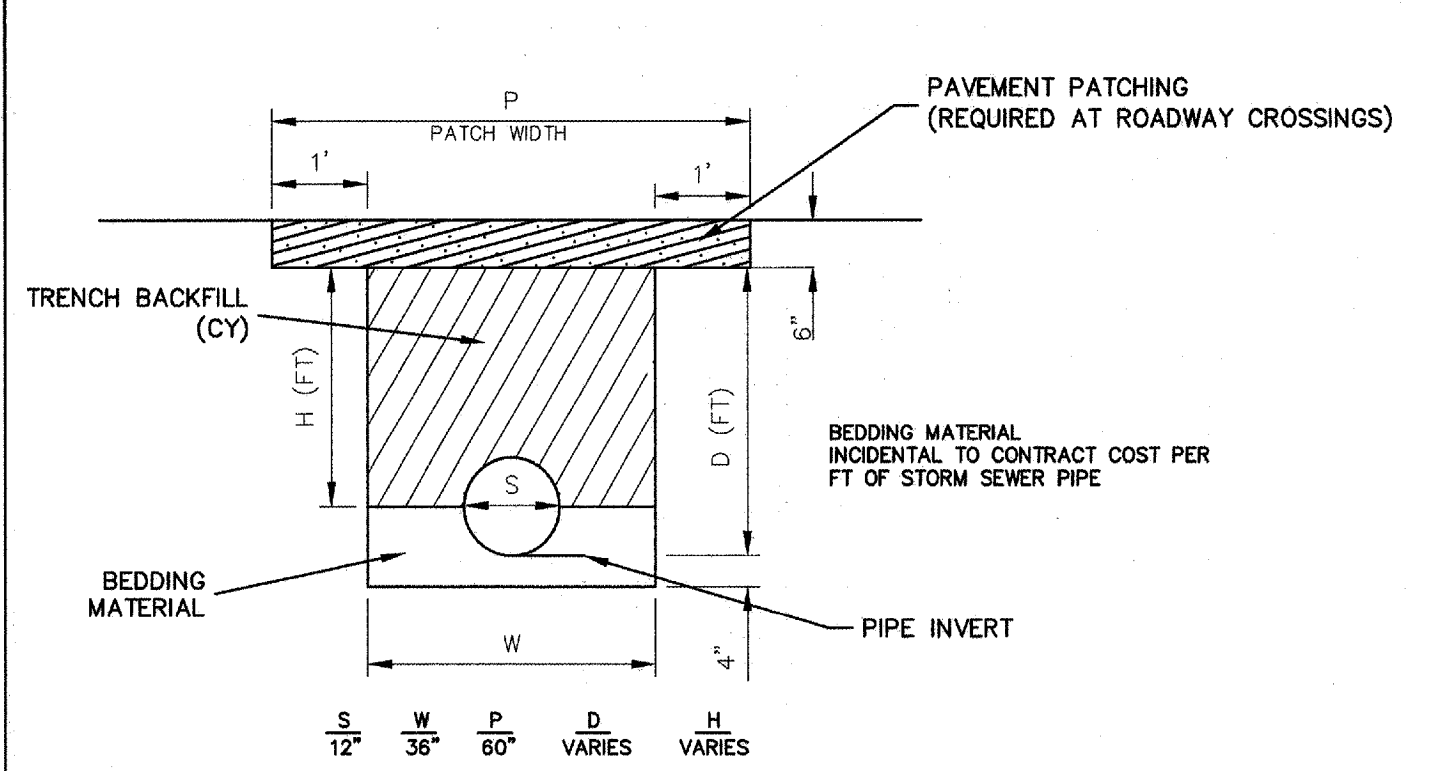
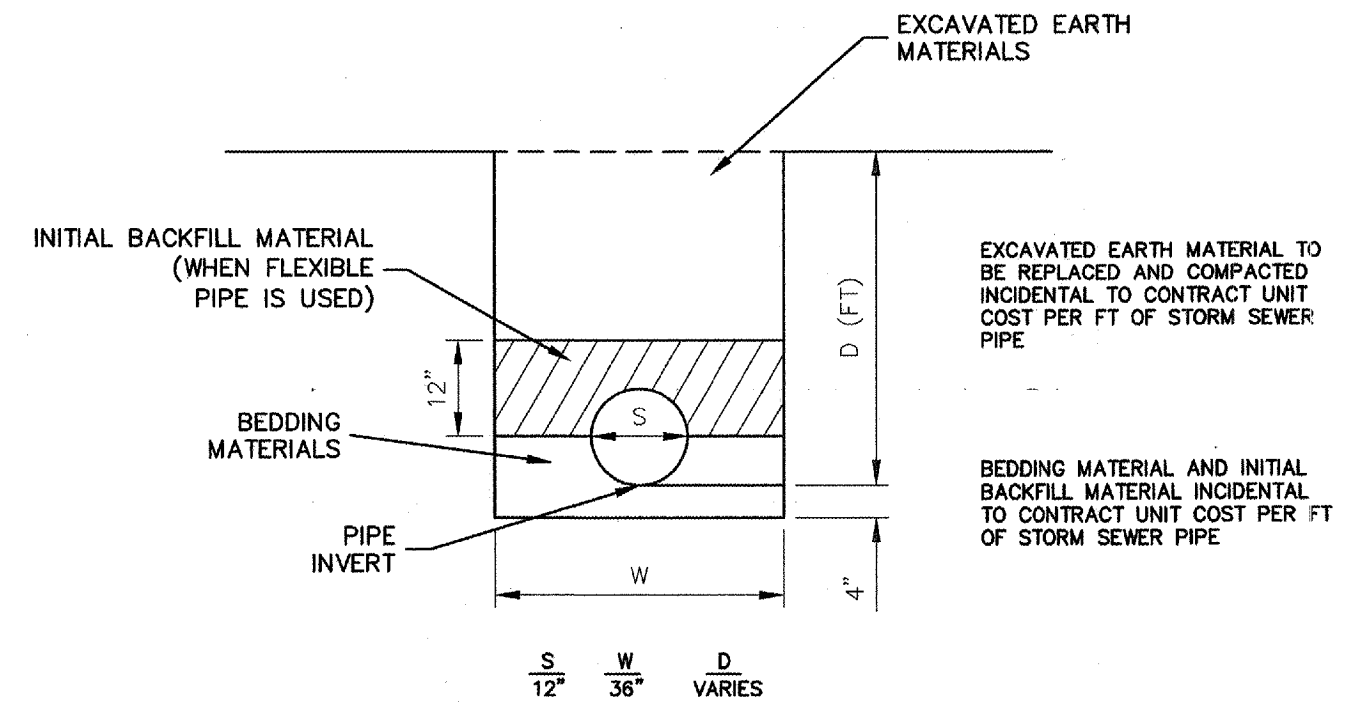


ROUTE	PSBA PROJECT NO.	SECTION	COUNTY	SHEET NO.	TOTAL SHEETS
FAS-1600	R-01-023	05-00012-00-RS	HANCOCK	12	43

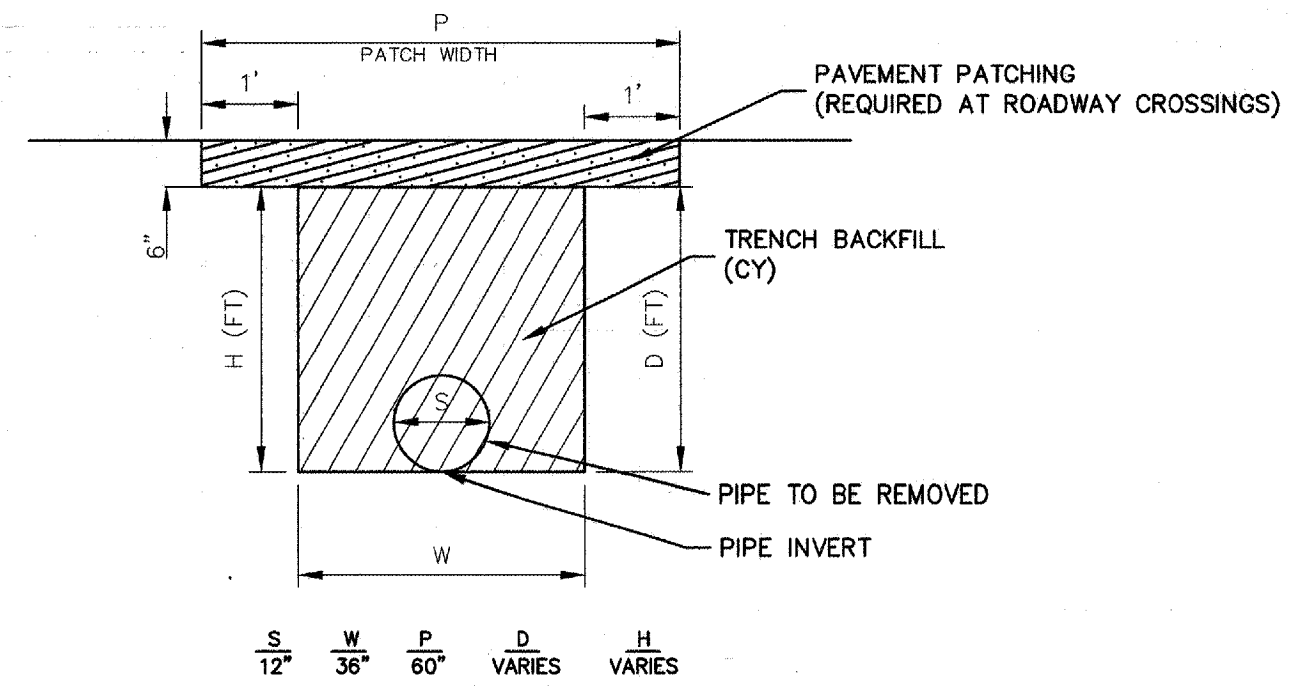
DETAIL DRAWING - TRENCHES



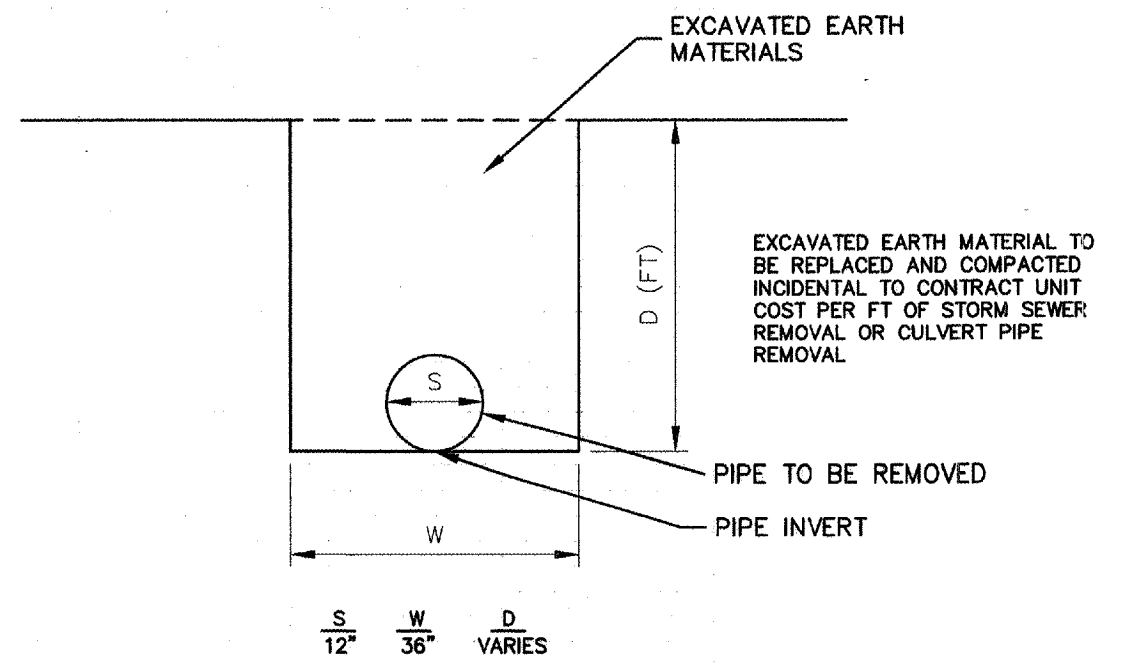
DETAIL OF TRENCH EXCAVATION AND BACKFILL FOR STORM SEWER INSTALLATION WITHIN 2' OF ROADWAY PAVEMENT AND ENTRANCES



DETAIL OF TRENCH EXCAVATION AND BACKFILL FOR STORM SEWER INSTALLATION UNDER TURF



DETAIL OF TRENCH EXCAVATION AND BACKFILL FOR STORM SEWER AND CULVERT PIPE REMOVAL WITHIN 2' OF ROADWAY PAVEMENT AND ENTRANCES



DETAIL OF TRENCH EXCAVATION AND BACKFILL FOR STORM SEWER AND CULVERT PIPE REMOVAL UNDER TURF