

SEC. 31, T. 8 N., R. 2 W., 3rd P.M.

RTE.	SECTION	COUNTY	TOTAL SHEETS	SHEET NO.
F.A.S.1746	*	MONTGOMERY	11	3
PROJECT				

\* 03-00122-00-BR

SCHEDULE  
TEMPORARY DITCH CHECKS

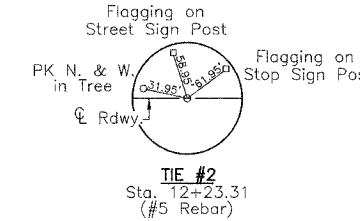
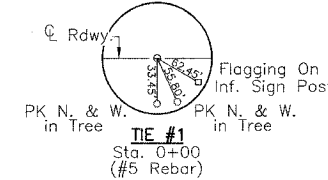
Location	Quantity (Each)
Sta. 5+00 38' Lt.	1
Sta. 5+00 33' Rt.	1
Sta. 7+00 33' Lt.	1
Sta. 7+00 37' Rt.	1
<b>Total</b>	<b>4</b>

SCHEDULE  
TREE REMOVAL (6 TO 15 UNITS DIAMETER)

Location	Quantity (Unit)
Sta. 4+30 44' Lt.	7
Sta. 4+31 45' Lt.	9
<b>Total</b>	<b>16</b>

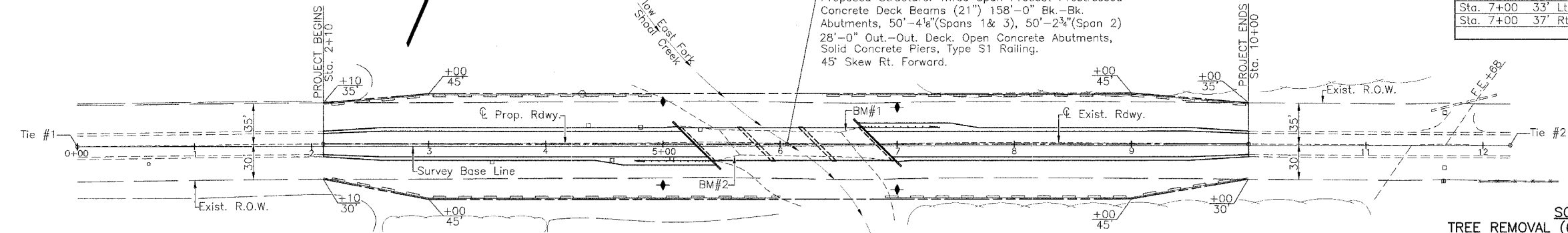
UTILITIES

Verizon  
1-800-892-0123  
Illinois Power  
Hillsboro, Illinois 62049  
1-800-755-5000



John E. Henrikson Jr.  
& Connie Henrikson

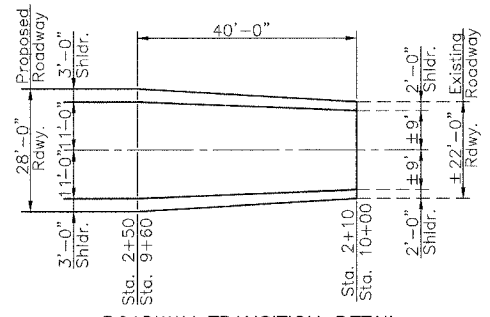
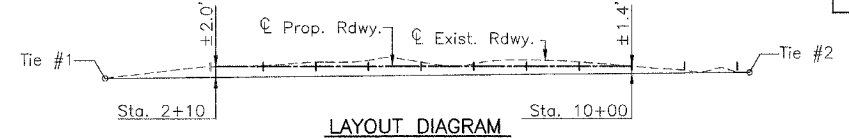
Sta. 6+06.00 -  $\phi$  Rdwy. at  $\phi$  Structure  
Proposed Structure: Three Span Precast Prestressed Concrete Deck Beams (21") 158'-0" Bk.-Bk.  
Abutments, 50'-4 1/8" (Spans 1 & 3), 50'-2 3/4" (Span 2)  
28'-0" Out.-Out. Deck. Open Concrete Abutments, Solid Concrete Piers, Type S1 Railing.  
45' Skew Rt. Forward.



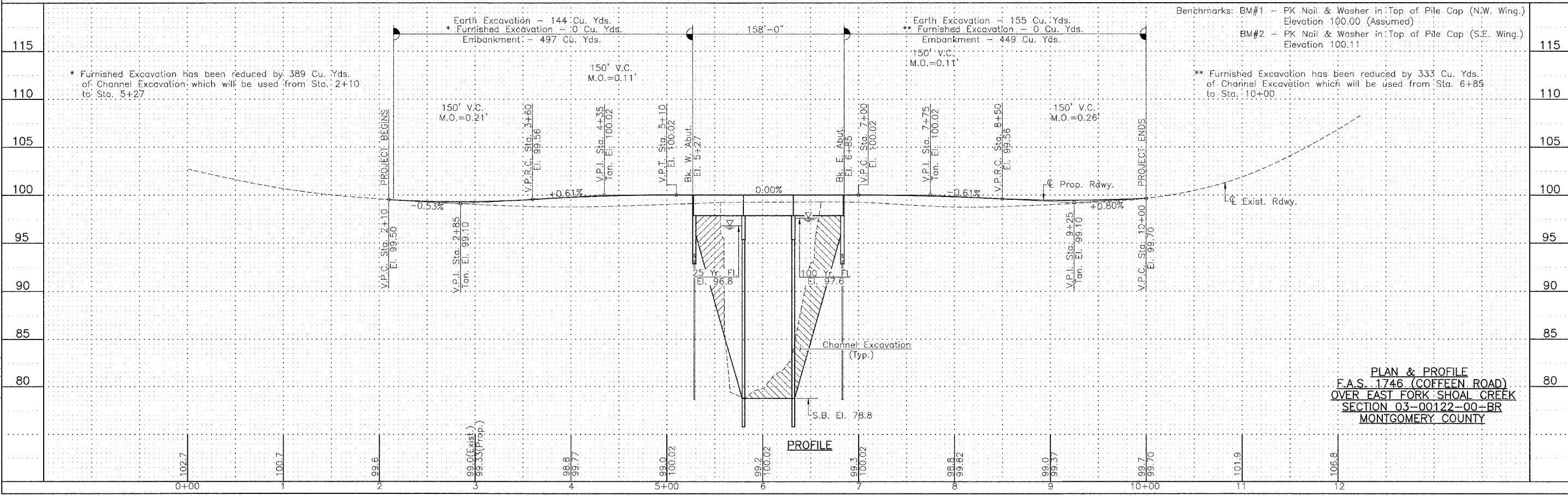
SCHEDULE  
PERIMETER EROSION BARRIER

Location	Quantity (Foot)
Sta. 2+10 TO Sta. 4+90 Lt.	280
Sta. 2+10 TO Sta. 6+00 Rt.	390
Sta. 6+40 TO Sta. 10+00 Lt.	360
Sta. 6+90 TO Sta. 10+00 Rt.	310
<b>Total</b>	<b>1340</b>

--- Indicates Perimeter Erosion Barrier  
◆ Indicates Temporary Ditch Check



Seeding Class 2 (Special) - Sta. 2+10 to Sta. 10+00 R.O.W. to R.O.W. - 0.9 Acre  
Temporary Erosion Control Seeding - Sta. 2+10 to Sta. 10+00 R.O.W. to R.O.W. - 0.9 Acre



PLAN & PROFILE  
F.A.S. 1746 (COFFEE ROAD)  
OVER EAST FORK SHOAL CREEK  
SECTION 03-00122-00-BR  
MONTGOMERY COUNTY

FILE NAME: M0322PP (REV. 2/9/07)