

RTE.	SECTION	COUNTY	TOTAL SHEETS	SHEET NO.
F.A.S.1746	*	MONTGOMERY	11	8
PROJECT				

* 03-00122-00-BR

NOTES

All exposed edges shall have standard 3/4" chamfer.
Space reinforcement in cap to miss beam anchor dowels.
Wingwalls and Backwalls may, at the contractor's option, be cast monolithically.

MIN. BAR LAPS

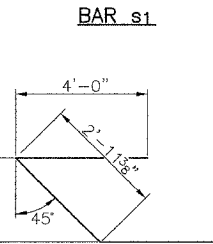
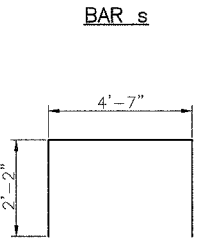
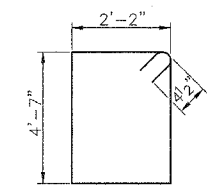
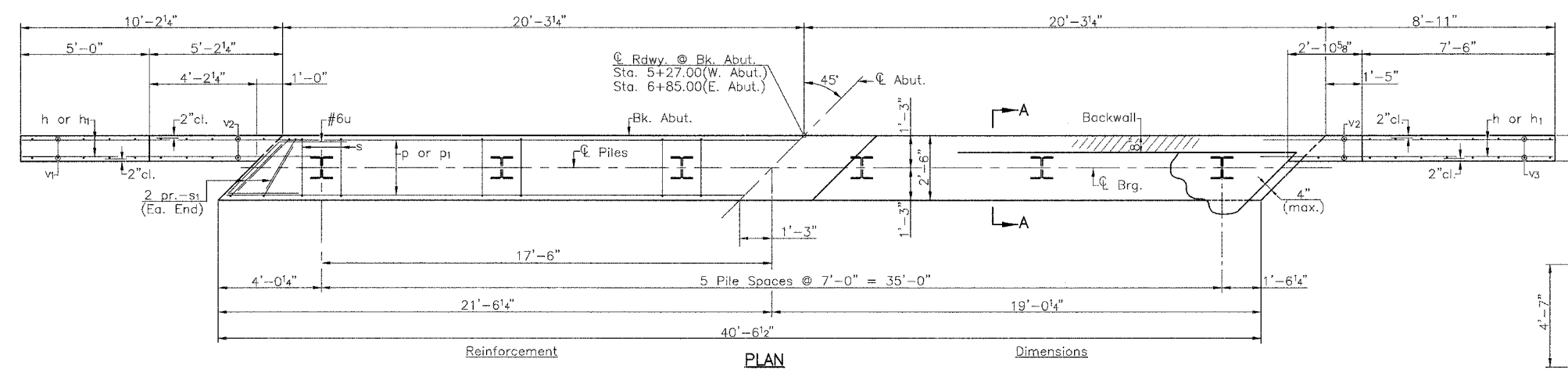
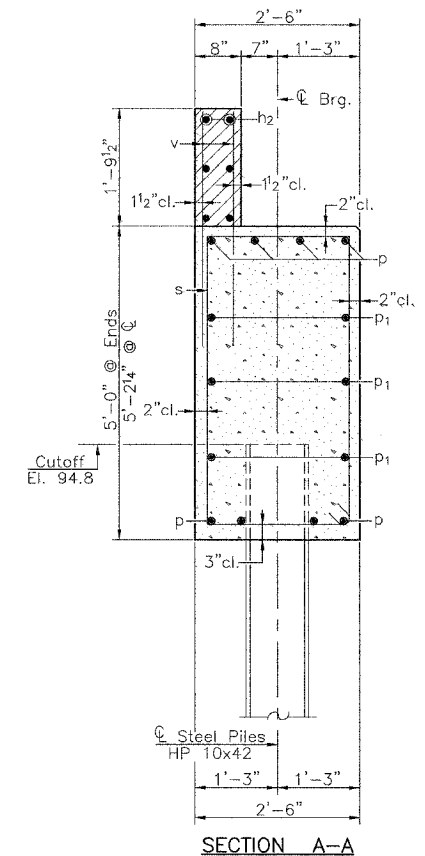
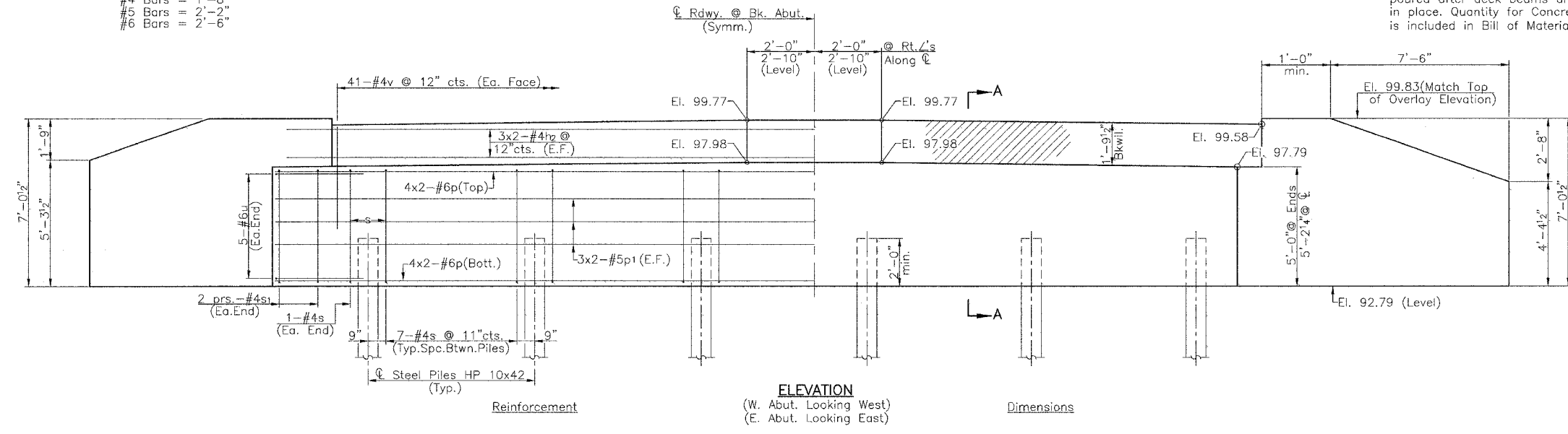
- #4 Bars = 1'-8"
- #5 Bars = 2'-2"
- #6 Bars = 2'-6"

PILE DATA

	W. Abut.	E. Abut.
Pile Type & Size:	Steel HP 10x42	Steel HP 10x42
Nominal Required Bearing:	335 Kips	335 Kips
Allowable Resistance Available:	111 Kips	111 Kips
Estimated Pile Length:	35'	28'
Number of Production:	5	6
Number of Test Piles:	1	0

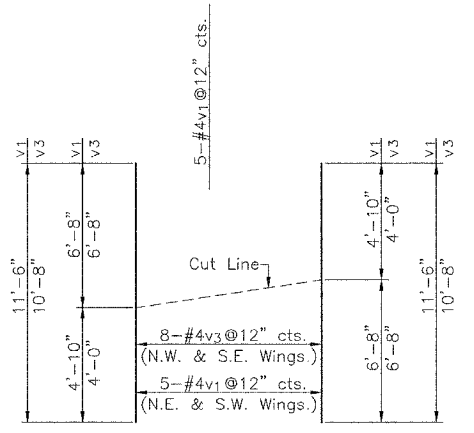
Note: The Steel H-Piles shall be according to AASHTO M270 Grade 50.
The Test Pile shall be driven to 110 percent of the Nominal Required Bearing indicated in the pile data information.

Note: Hatched area and wingwalls shall be poured after deck beams are anchored in place. Quantity for Concrete Structures is included in Bill of Material, this sheet.

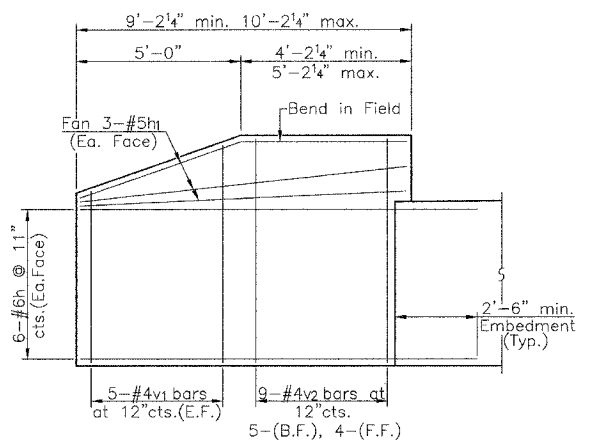


TWO ABUTMENTS BILL OF MATERIAL

BAR	NO.	SIZE	LENGTH	SHAPE
h	48	#6	12'-9"	—
h1	24	#5	9'-6"	—
h2	24	#4	22'-3"	—
p	32	#6	21'-6"	—
p1	24	#5	21'-6"	—
s	74	#4	14'-3"	□
s1	16	#4	8'-11"	□
u	20	#6	10'-11"	□
v	164	#4	3'-3"	—
v1	10	#4	11'-6"	—
v2	24	#4	6'-8"	—
v3	16	#4	10'-8"	—
Concrete Structures			Cu. Yd.	50.9
Reinforcement Bars			Pound	4870
Furnishing Steel Piles HP 10x42			Foot	343
Driving Piles			Foot	343
Test Pile Steel HP 10x42			Each	1
Structure Excavation			Cu. Yd.	195

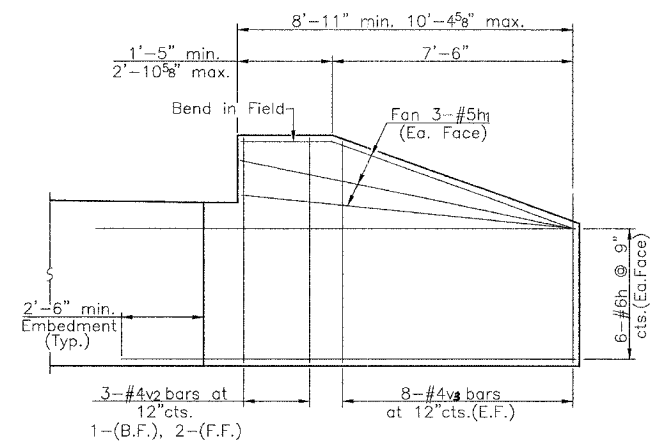


v1 & v3 - BAR CUT DIAGRAM
Order v1 and v3 bars full length; Layout in field according to diagram. Cut v1 and v3 bars along cut line. Use remainder of each bar in opposite face.



WINGWALL ELEVATION

(S.W. & N.E. Corners)
(Showing Reinforcement)
* See v1-bar cut diagram



WINGWALL ELEVATION

(N.W. & S.E. Corners)
(Showing Reinforcement)
* See v3-bar cut diagram