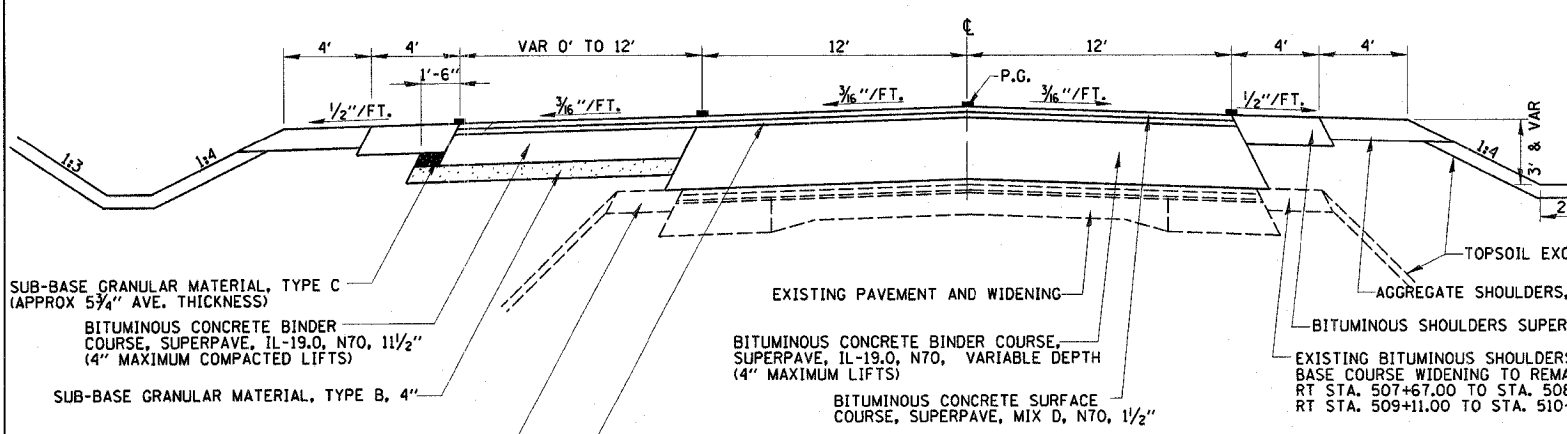
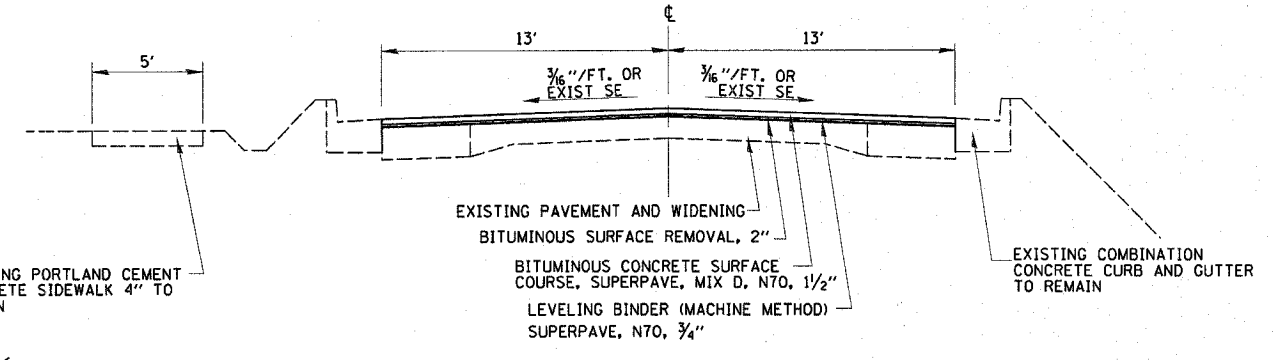


⑦ PROPOSED TYPICAL SECTION  
 STA. 529+00.00 TO STA. 531+30.28  
 STA. 532+37.00 TO STA. 534+40.00

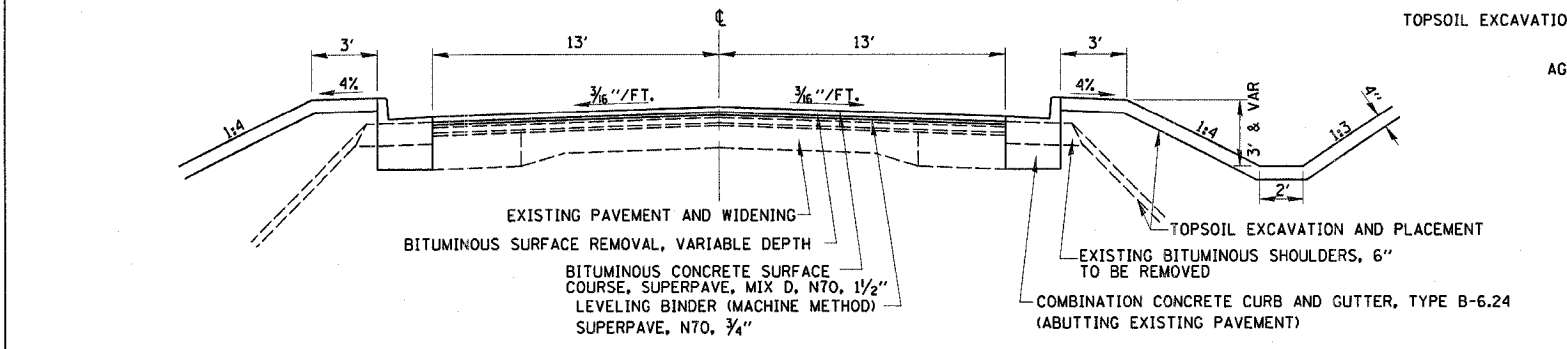


⑦A PROPOSED TYPICAL SECTION  
 STA. 502+08.00 TO STA. 520+87.00

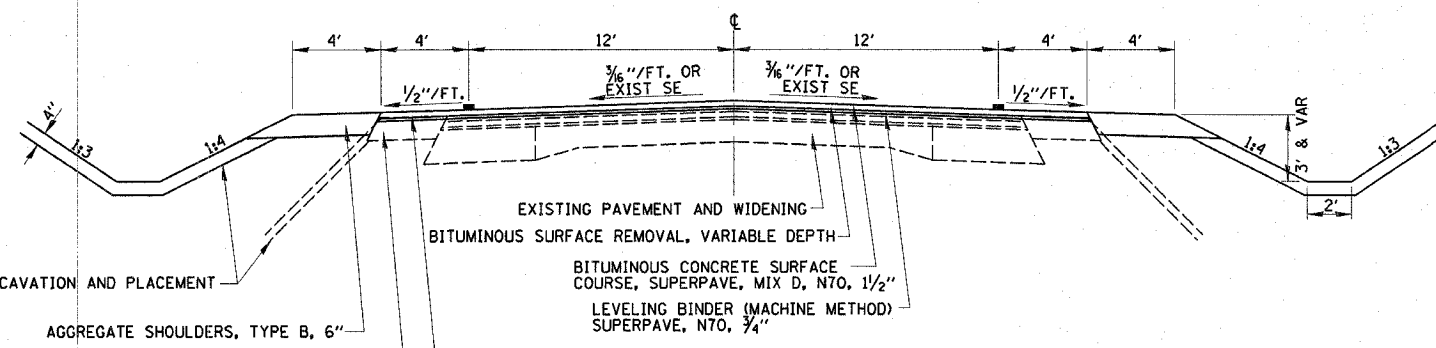
SUB-BASE GRANULAR MATERIAL, TYPE C (APPROX 5 3/4" AVE. THICKNESS)  
 BITUMINOUS CONCRETE BINDER COURSE, SUPERPAVE, IL-19.0, N70, 1 1/2" (4" MAXIMUM COMPACTED LIFTS)  
 SUB-BASE GRANULAR MATERIAL, TYPE B, 4"  
 EXISTING BITUMINOUS SHOULDER 6" TO BE REMOVED-LT  
 BASE COURSE WIDENING TO BE REMOVED  
 LT STA. 508+08.00 TO STA. 508+37.00  
 LT STA. 508+95.00 TO STA. 510+06.00 (SEE SHEET 38 FOR STAGE CONSTRUCTION)  
 LEVELING BINDER (MACHINE METHOD) SUPERPAVE, N70, 3/4". (OMIT FROM STA. 504+50.00 TO STA. 513+50.00)



⑨ PROPOSED TYPICAL SECTION  
 STA. 617+30.82 TO STA. 621+24.00



⑧ PROPOSED TYPICAL SECTION  
 STA. 604+90.52 TO STA. 617+30.82



⑩ PROPOSED TYPICAL SECTION  
 STA. 643+15.00 TO STA. 689+81.63

REVISIONS	
NAME	DATE

ILLINOIS DEPARTMENT OF TRANSPORTATION

TYPICAL SECTIONS  
 SHEET 3 OF 4

DATE 6/01

DRAWN BY MLO  
 CHECKED BY RDW

Revised 5/2/07