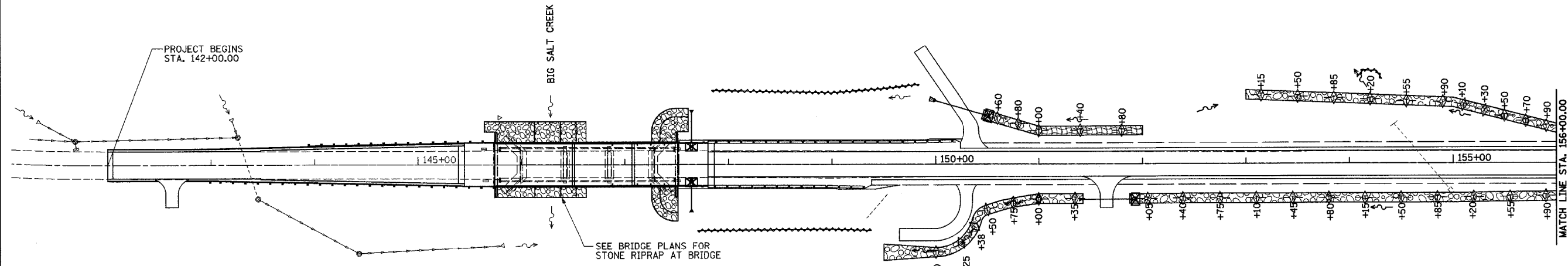
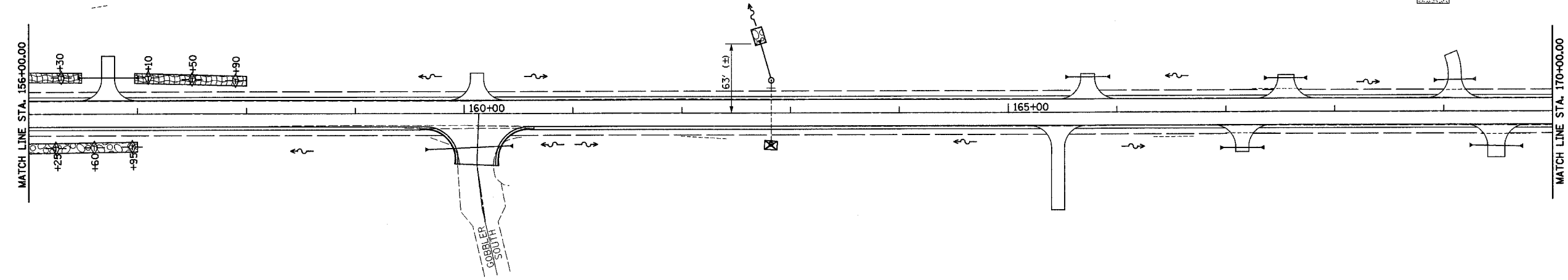


F.A.P. RTE.	SECTION	COUNTY	TOTAL SHEETS	SHEET NO.
95		EFFINGHAM	409	107
FED. ROAD DIST. NO. 7 ILLINOIS FED. AID PROJECT				
*16,7)Y, RS-1, 6B-1, 7B-1 & 7BR-2				
CONTRACT NO. 94356				



- LEGEND**
- PERIMETER EROSION BARRIER
 - TEMPORARY DITCH CHECK
 - EARTH EXCAVATION FOR EROSION CONTROL
 - INLET AND PIPE PROTECTION
 - STONE RIPRAP OR GABIONS (SEE SCHEDULE)
 - EROSION CONTROL BLANKET
 - EXISTING RIPRAP



REVISIONS	
NAME	DATE

ILLINOIS DEPARTMENT OF TRANSPORTATION

EROSION CONTROL PLAN
STA 142+00.00 TO STA 170+00.00
SHEET 2 OF 24

DATE 2/02

DRAWN BY BDM
CHECKED BY TGC