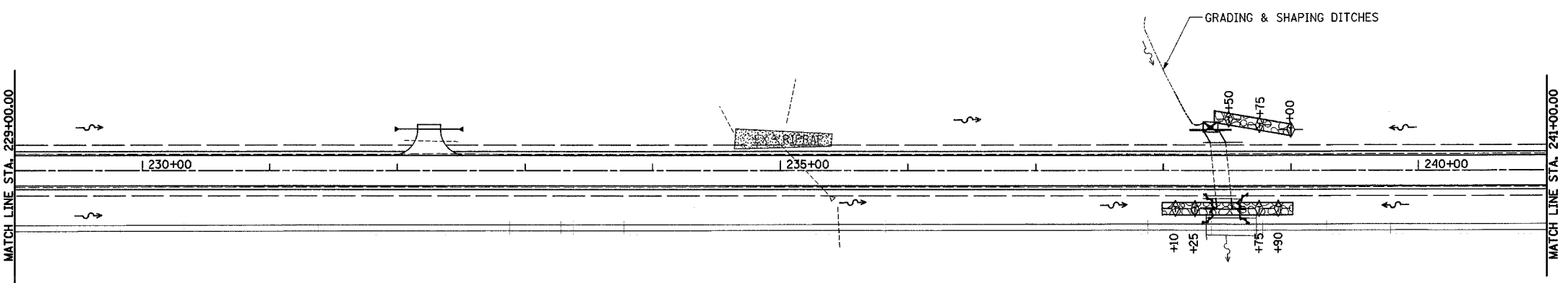
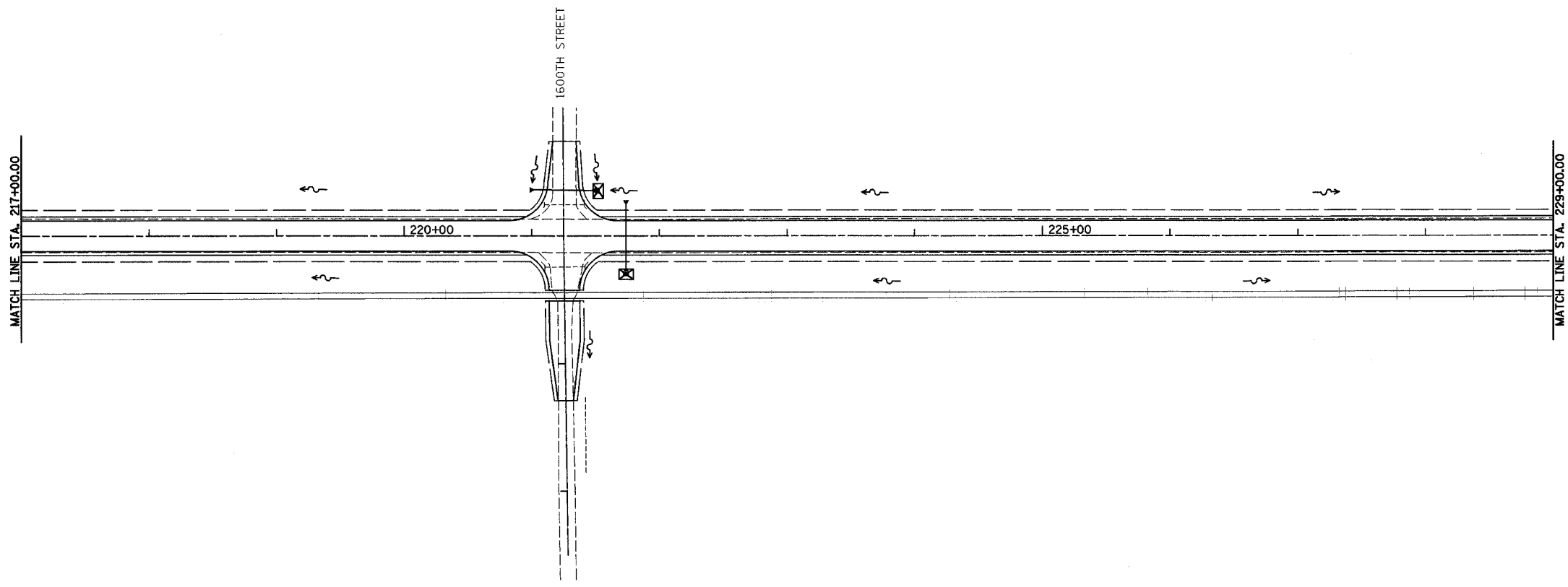


F.A.P. RTE.	SECTION	COUNTY	TOTAL SHEETS	SHEET NO.
95	*	EFFINGHAM	409	110
FED. ROAD DIST. NO. 7		ILLINOIS	FED. AID PROJECT	
*6,7)Y, RS-1, 6B-1, 7B-1 & 7BR-2		CONTRACT NO. 94356		



- LEGEND**
- PERIMETER EROSION BARRIER
  - TEMPORARY DITCH CHECK
  - EARTH EXCAVATION FOR EROSION CONTROL
  - INLET AND PIPE PROTECTION
  - STONE RIPRAP OR GABIONS (SEE SCHEDULE)
  - EROSION CONTROL BLANKET
  - EXISTING RIPRAP

REVISIONS	
NAME	DATE

ILLINOIS DEPARTMENT OF TRANSPORTATION

EROSION CONTROL PLAN  
STA 217+00.00 TO STA 241+00.00  
SHEET 5 OF 24

DATE 2/02

DRAWN BY BDM  
CHECKED BY TGC