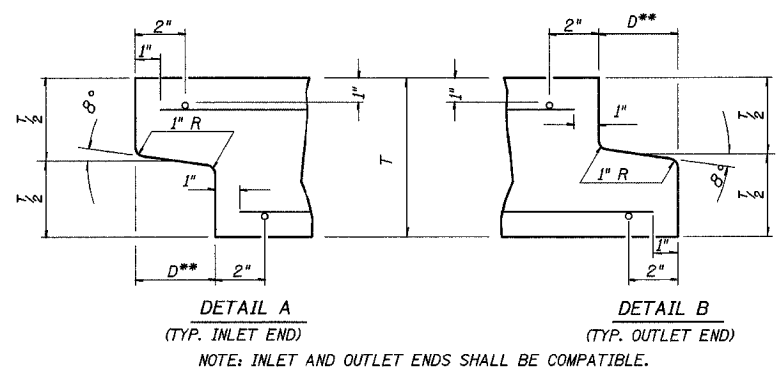
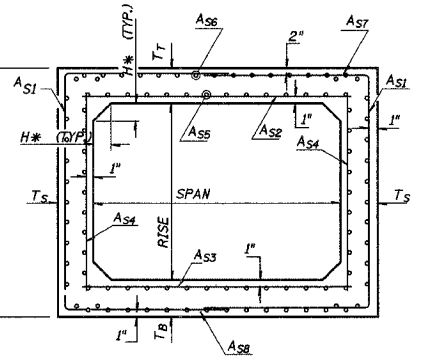
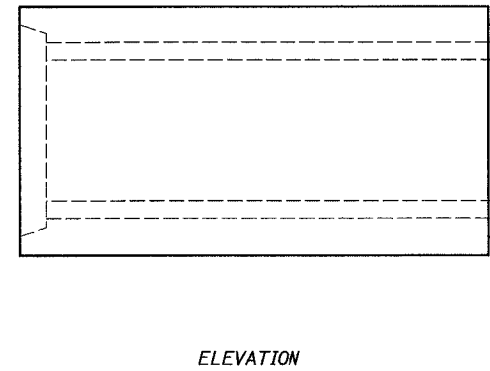
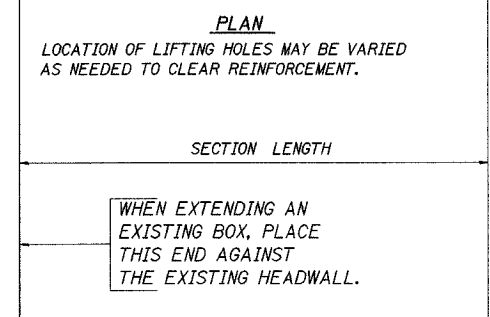
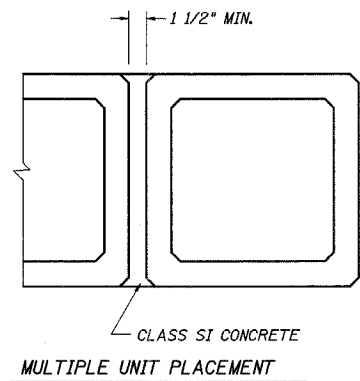
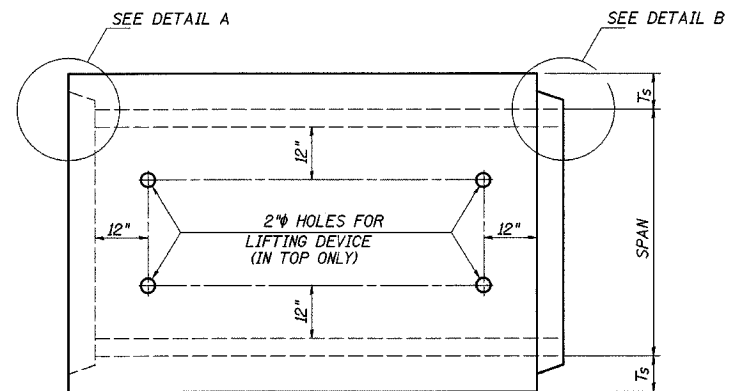


DETAIL OF PRECAST CONCRETE BOX CULVERT M273

(WITH LESS THAN 2 FEET OF COVER)
AASHTO DESIGNATION M273
(ASTM DESIGNATION C-850)
DESIGN LOADING = HS20-44



** THE D DIMENSION SHALL CONFORM TO THE MANUFACTURER'S STANDARDS.



* THE HAUNCH DIMENSION, H, IS EQUAL TO THE WALL THICKNESS, T₅.

GENERAL NOTES

- SHOP PLANS FOR THE REINFORCEMENT SHALL BE SUBMITTED IN ACCORDANCE WITH THE REQUIREMENTS OF ARTICLE 504.04(d) OF THE STANDARD SPECIFICATIONS.
- MINIMUM CONCRETE STRENGTH SHALL BE 5000 PSI AFTER 28 DAYS.
- THE JOINTS OF THE PRECAST BOX SECTIONS SHALL BE SEALED IN ACCORDANCE WITH ARTICLE 542.04(d) OF THE STANDARD SPECIFICATIONS FOR ROAD AND BRIDGE CONSTRUCTION.
- THE TERMS A_{S1}, A_{S2}, ETC. DENOTE THE REQUIRED STEEL AREAS FOR REINFORCEMENT AS SPECIFIED IN ASSHTO M273.
- REINFORCEMENT SHALL BE WELDED WIRE FABRIC CONFORMING TO ASSHTO M55. LONGITUDINAL DISTRIBUTION REINFORCEMENT MAY CONSIST OF WELDED WIRE FABRIC OR DEFORMED BARS CONFORMING TO ASSHTO M31 OR M322, GRADE 60.
- LIFTING HOLES SHALL BE FILLED WITH CONCRETE PLUGS AND MASTIC AFTER THE BOX SECTIONS ARE IN PLACE.
- DRAINAGE OPENINGS SHALL BE PROVIDED IN ACCORDANCE WITH ARTICLE 503.12 OF THE STANDARD SPECIFICATIONS. LOCATION AND SPACING OF THE OPENINGS SHALL BE SHOWN ON THE SHOP DRAWINGS.
- WHERE APPLICABLE, A P.C.C. PAVEMENT PATCH REINFORCED WITH PAVEMENT FABRIC (STANDARD 42070) WILL BE CONSTRUCTED OVER THE CULVERT. THE PATCH SHALL BE FULL PAVEMENT WIDTH, AND THE LENGTH SHALL EXTEND 24" BEYOND EACH SIDE OF THE CULVERT.

CULVERT SIZE (FEET)	DIMENSIONS (INCHES)		
	T _T	T _B	T _S
SPAN x RISE (FOOT)			
3x2	7	6	4
3x3	7	6	4
4x2	7 1/2	6	5
4x3	7 1/2	6	5
4x4	7 1/2	6	5
5x3	8	7	6
5x4	8	7	6
5x5	8	7	6
6x3	8	7	7
6x4	8	7	7
6x5	8	7	7
6x6	8	7	7
7x3	8	8	8
7x4	8	8	8
7x5	8	8	8
7x6	8	8	8
7x7	8	8	8
8x2	8	8	8
8x4	8	8	8
8x5	8	8	8
8x6	8	8	8
8x7	8	8	8
8x8	8	8	8
9x5	9	9	9
9x6	9	9	9
9x7	9	9	9
9x8	9	9	9
9x9	9	9	9
10x5	10	10	10
10x6	10	10	10
10x7	10	10	10
10x8	10	10	10
10x9	10	10	10
10x10	10	10	10
11x4	11	11	11
11x6	11	11	11
11x8	11	11	11
11x10	11	11	11
11x11	11	11	11
12x4	12	12	12
12x6	12	12	12
12x8	12	12	12
12x10	12	12	12
12x12	12	12	12

REVISIONS	
NAME	DATE

ILLINOIS DEPARTMENT OF TRANSPORTATION

**DETAIL OF PRECAST
CONCRETE BOX
CULVERT SECTION**

DRAWN BY DIST. 7
CHECKED BY BWC

DATE REVISED: 05/28/99

1 2 3 4 5 6 7 8 9 \$\$\$DATE\$\$\$
 10 11 12 13 14 15 16 17 18
 19 20 21 22 23 24 25 26 27
 28 29 30 31 32 33 34 35 36
 37 38 39 40 41 42 43 44 45
 46 47 48 49 50 51 52 53 54
 55 56 57 58 59 60 61 62 63
END

DGN-SPEC
 DATE