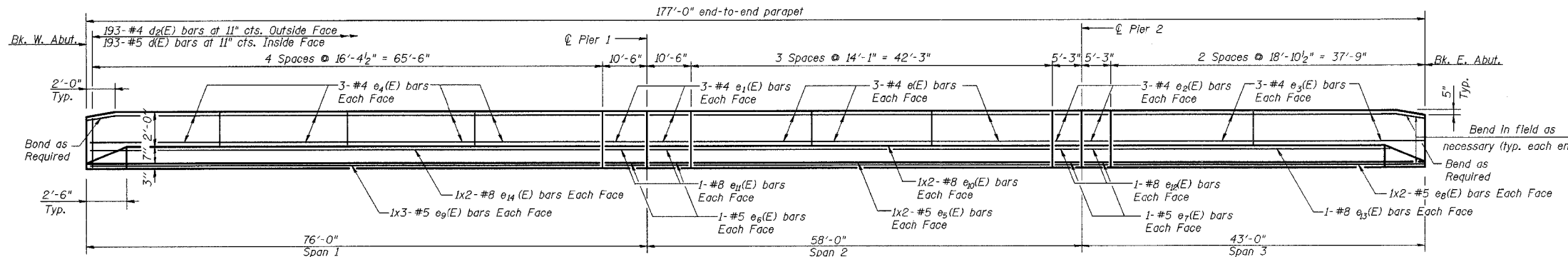
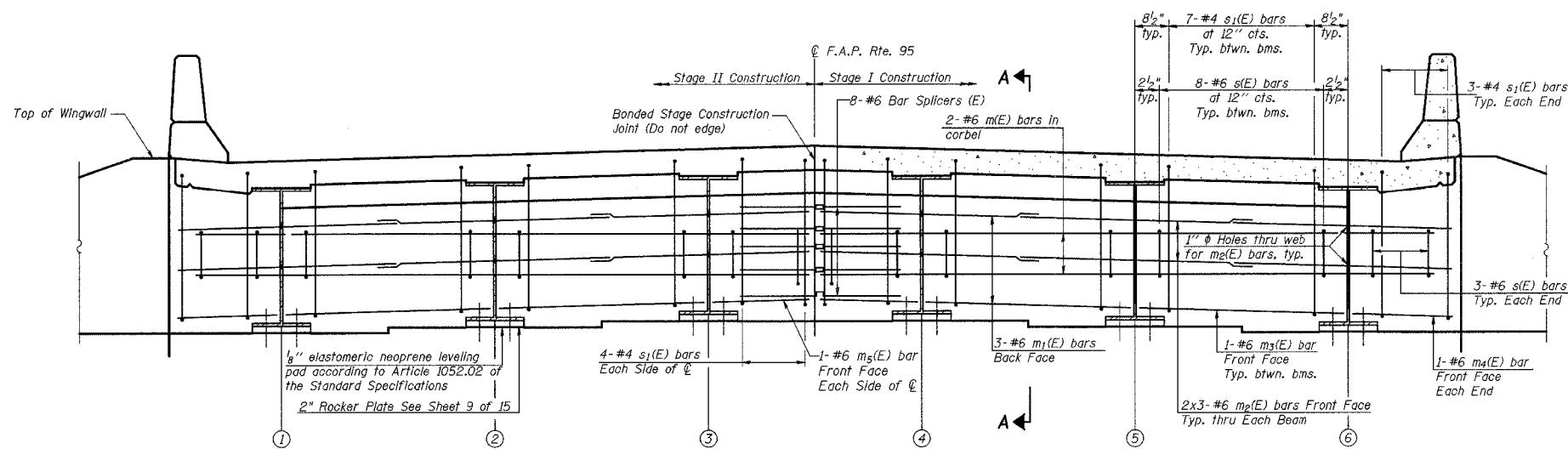


F.A.P. Rte.	SECTION	COUNTY	TOTAL SHEETS	SHEET NO.
95	7B-1	EFFINGHAM	409	352
FED. ROAD DIST. NO. 7		ILLINOIS	FED. AID PROJECT	
CONTRACT NO. 94356				

SHEET NO. 7
SHEETS 18

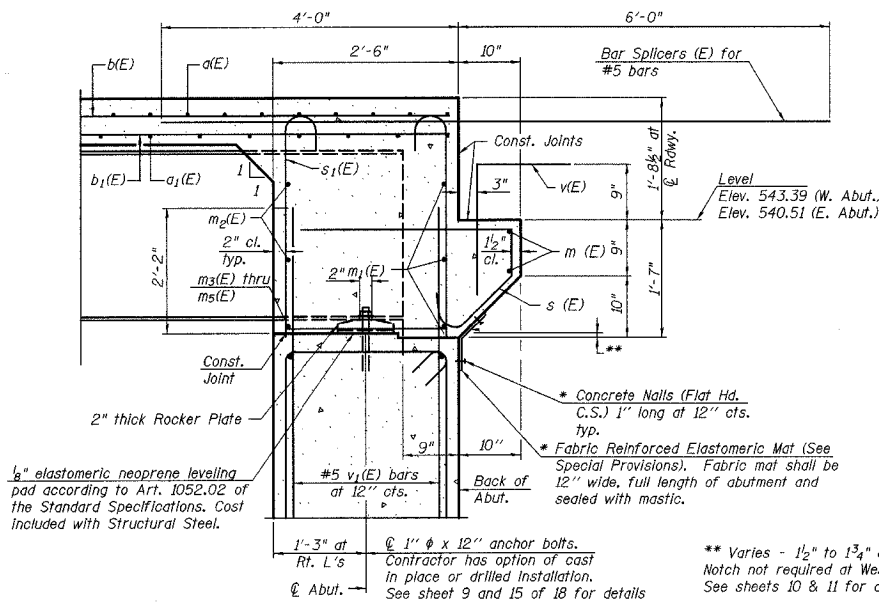


INSIDE ELEVATION OF PARAPET



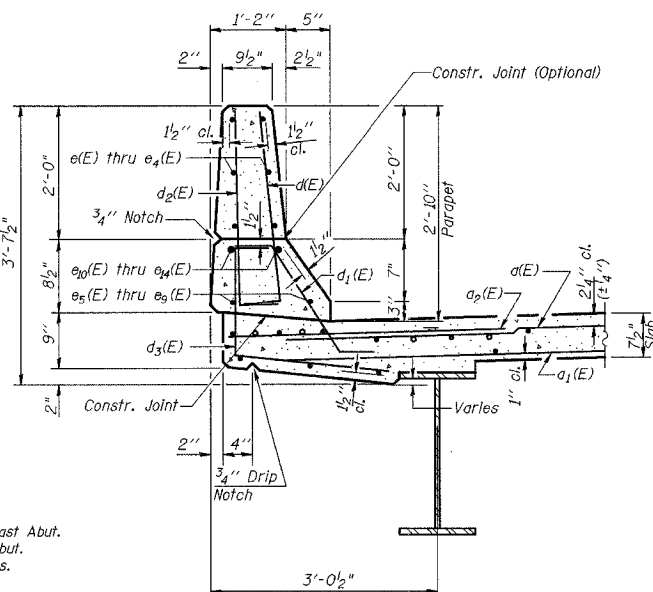
DIAPHRAGM ELEVATION AT ABUTMENT

Looking East at East Abutment
(West Abutment Similar)

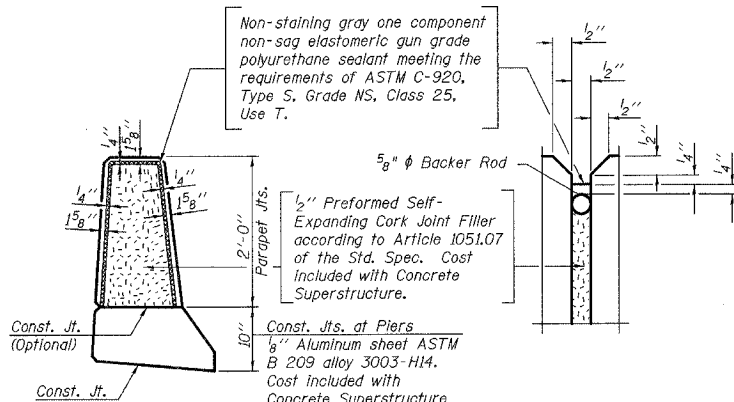


SECTION A-A

*Cost Included with Concrete Structures.



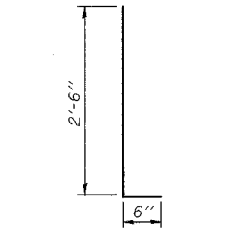
SECTION THRU PARAPET



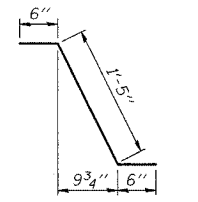
PARAPET JOINT DETAILS

MIN BAR LAPS

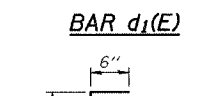
- #4 bar = 1'-8"
- #5 bar = 2'-2"
- #6 bar = 2'-9"
- #8 bar = 4'-6"



BAR d1(E) & d2(E)

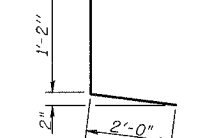


BAR s(E)



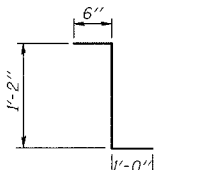
BAR d3(E)

BAR s1(E)



BAR d4(E)

BAR d3(E)



BAR v(E)

SUPERSTRUCTURE
BILL OF MATERIAL

Bar	No.	Size	Length	Shape
a(E)	708	#5	20'-9"	
a1(E)	500	#5	20'-7"	
a2(E)	354	#6	4'-6"	
b(E)	322	#5	26'-8"	
b1(E)	44	#6	44'-6"	
b2(E)	252	#5	30'-10"	
b3(E)	44	#6	26'-9"	
d(E)	386	#5	3'-0"	
d1(E)	374	#5	2'-5"	
d2(E)	386	#4	3'-0"	
d3(E)	386	#4	3'-8"	
d4(E)	12	#5	2'-8"	
e(E)	36	#4	13'-9"	
e1(E)	24	#4	10'-2"	
e2(E)	24	#4	4'-9"	
e3(E)	24	#4	18'-6"	
e4(E)	48	#4	16'-0"	
e5(E)	8	#5	22'-1"	
e6(E)	8	#5	10'-2"	
e7(E)	8	#5	4'-9"	
e8(E)	8	#5	19'-10"	
e9(E)	12	#5	23'-2"	
e10(E)	8	#8	23'-3"	
e11(E)	8	#8	10'-2"	
e12(E)	8	#8	4'-9"	
e13(E)	4	#8	37'-5"	
e14(E)	8	#8	34'-10"	
m(E)	8	#6	20'-6"	
m1(E)	12	#6	21'-3"	
m2(E)	24	#6	8'-11"	
m3(E)	8	#6	7'-0"	
m4(E)	4	#6	2'-8"	
m5(E)	4	#6	3'-4"	
s(E)	92	#6	5'-7"	
s1(E)	84	#4	8'-6"	
v(E)	86	#5	3'-4"	
Item		Unit	Quantity	
Reinforcement Bars, Epoxy Coated		Pound	60850	
Concrete Superstructure		Cu. Yds.	249.9	
Bridge Deck Grooving		Sq. Yds.	748	
Protective Coat		Sq. Yds.	935	

Notes:
Bars indicated thus 1x2-#5 etc. Indicates 1 line of bars with 2 lengths per line.
Reinforcement bars in diaphragm are bitted with superstructure.
Concrete in diaphragm is included with Concrete Superstructure.
For bar splicer details see sheet 14 of 18.
Pour abutment diaphragms monolithically with slab.
For anchor bolt details see sheet 15 of 18.
Work this sheet with sheet 6 of 18.

ILLINOIS DEPARTMENT OF TRANSPORTATION
SUPERSTRUCTURE DETAILS
ILLINOIS ROUTE 33 OVER
BIG SALT CREEK
F.A.P. ROUTE 95
SECTION 7B-1
EFFINGHAM COUNTY
STA. 146+62.50
STRUCTURE NUMBER 025-0101

DATE: OCT. 2003
DRAWN BY: NJV
CHECKED BY: PBB/SJK